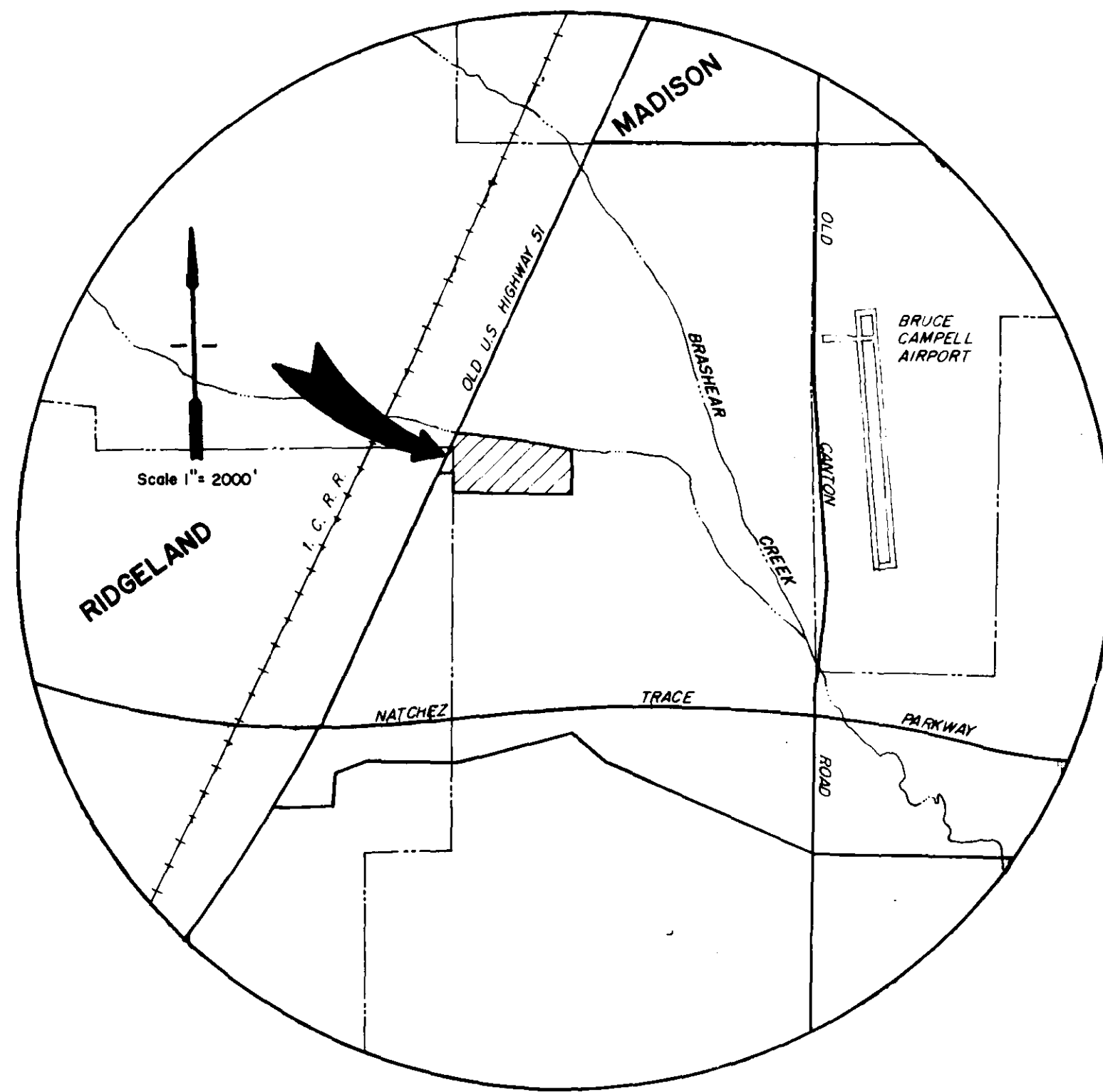


BEAVER CREEK
PART 3 & 4
RIDGELAND, MISSISSIPPI



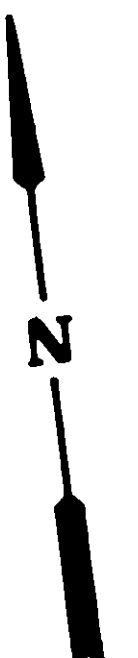
A development by:
Harkins & Harkins
5760 I-55 North
Jackson, MS 39211

Case & Associates, Inc.
Continental Consultants, Inc.

July , 1983

REVISED 6-13-80
AS-BUILT DRAWING
PARTS 3 & 4
SEPT. 1983

PWP-00206



NOTE:
 CONTOURS SHOWN ARE
 APPROXIMATE AND SHOULD
 BE VERIFIED BEFORE
 CONSTRUCTION OR FINAL
 DESIGN

U.S. HIGHWAY 51

COMMERCIAL AREA

PART 2

PART 3

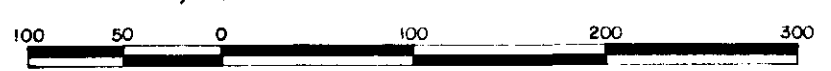
BEAVER CREEK SUBDIVISION

SANITARY SEWER LAYOUT

NOTE: ALL CONTOURS SHOWN ARE
 ON M. S. L. DATUM
 FRONT SETBACK DISTANCES ARE
 A MIN. OF 35', REAR SETBACK
 DISTANCES ARE A MIN. OF 25' AND
 SIDE SETBACK DISTANCES ARE A
 MIN. OF 15'

CASE and ASSOCIATES, INC.
 Registered Land Surveyors
 Jackson, Miss. Scale 1"=100' JULY, 1983

AS-BUILT DRAWING
 PARTS 3 & 4
 SEPT. 1985



REVISED 6-13-80

SHEET 2 OF 10





U.S. HIGHWAY 51

COMMERCIAL AREA

BEAVER CREEK SUBDIVISION

WATER LAYOUT

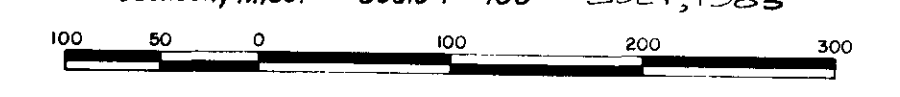
CASE and ASSOCIATES, INC.
Registered Land Surveyors
Jackson, Miss. Scale 1"=100' JULY, 1983

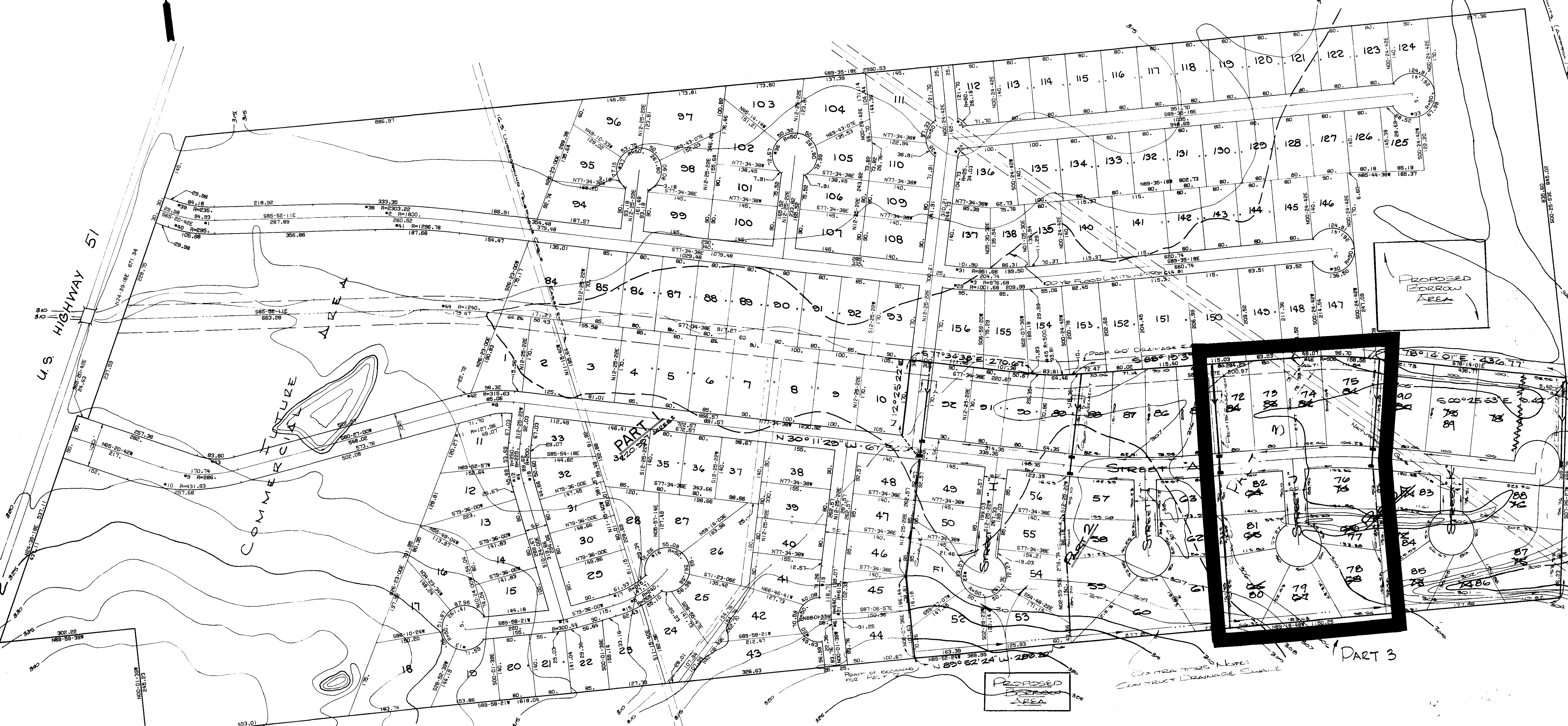
PART 2
AS BUILT
JULY 1984
AS-BUILT DRAWING
PARTS 3 & 4
OCT. 1985

Revised 6-13-80
SHEET 30 OF 10

NOTE: ALL CONTOURS SHOWN ARE ON M. S. L. DATUM
FRONT SETBACK DISTANCES ARE A MIN. OF 25'. REAR SETBACK DISTANCES ARE A MIN. OF 25' AND SIDE SETBACK DISTANCES ARE A MIN. OF 7.5'.

CONTRACTORS NOTE:
CONSTRUCT DRAINAGE DITCH

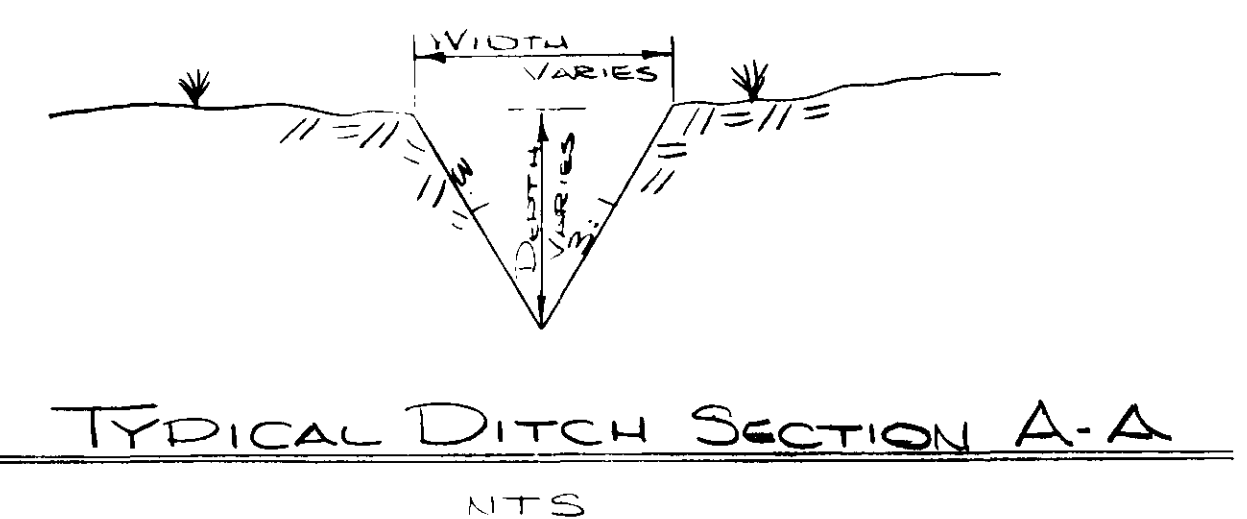




TBM 8 - ELEV. 307.58 (M.C.L. DATUM), TOP OF IRON BAR 75' NORTH & 40' WEST OF THE SE CORNER OF LOT 75

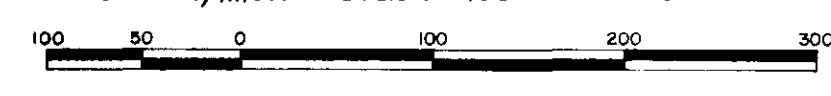
TBM 10 - ELEV. 303.50 (M.C.L. DATUM), TOP OF IRON BAR 55' SOUTH & 5' WEST OF THE NE CORNER OF LOT 75

TBM 11 - ELEV. 304.43 (M.C.L. DATUM), TOP OF IRON BAR 30' SOUTH & 10' WEST OF THE NE CORNER OF SUBDIVISION



BEAVER CREEK SUBDIVISION
DRAINAGE AND GEOMETRIC
LAYOUT

CASE and ASSOCIATES, INC.
Registered Land Surveyors
Jackson, Miss. Scale 1"=100' JULY, 1983

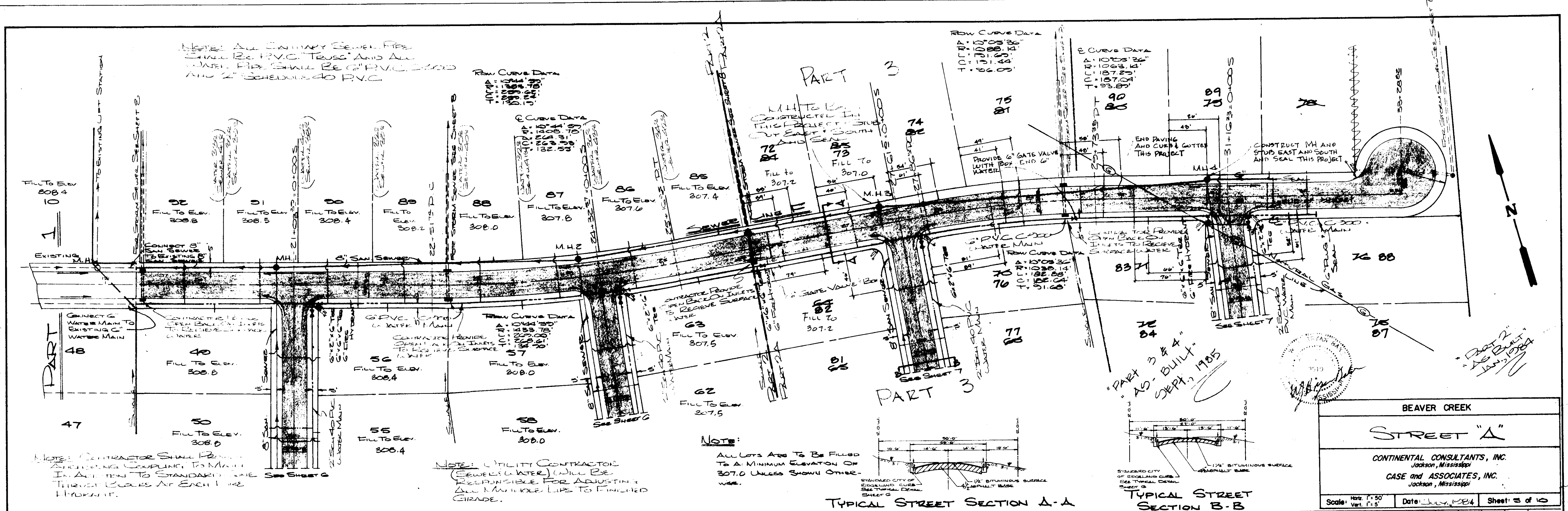


PART 2
AS BUILT
Jan. 1984

AS-BUILT DRAWING
PARTS 2 & 4
SEPT. 1985

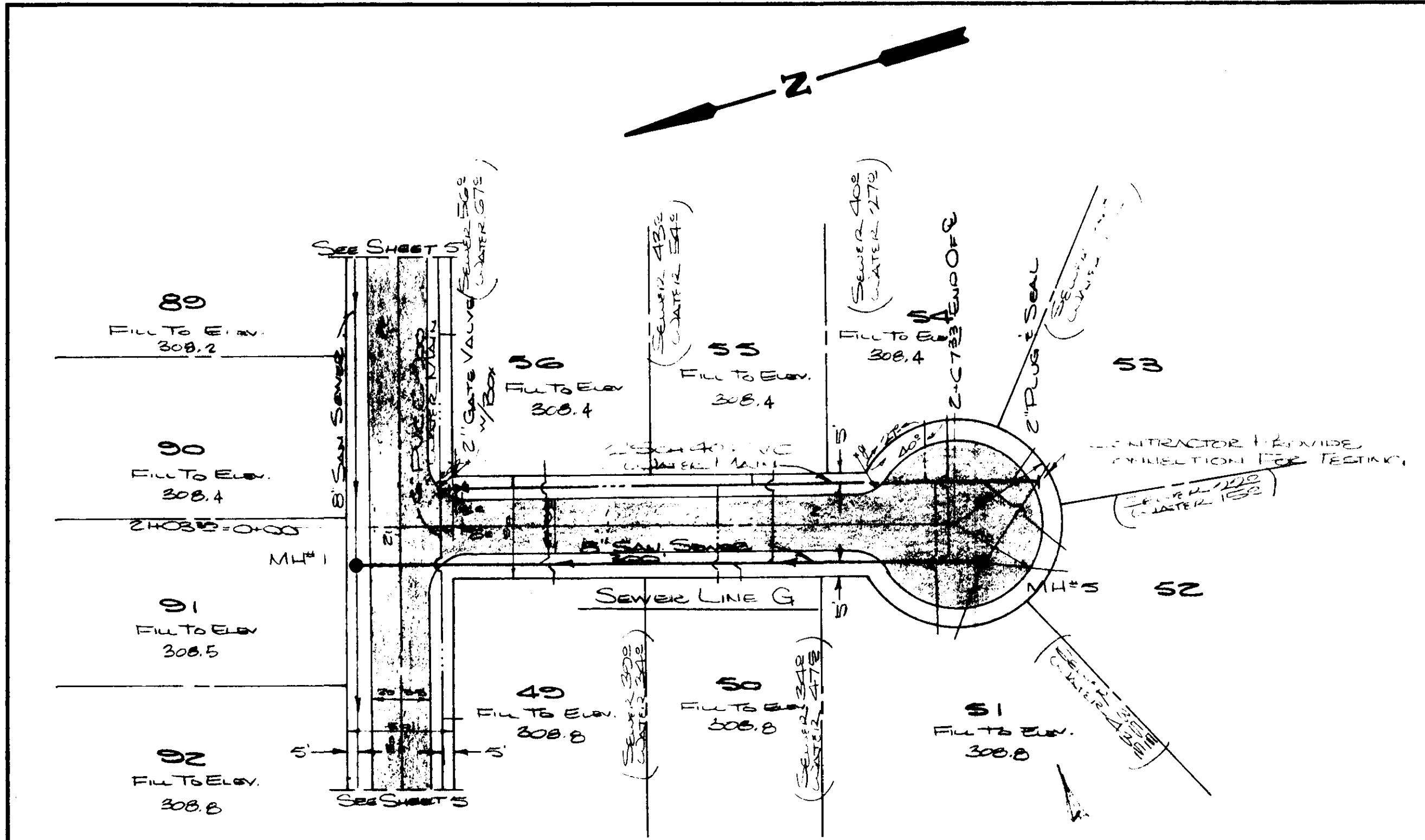
SHEET 10 OF 10

DATE	
BY	
REVISION	
PLAN	
NOTE BOOK	
NO.	

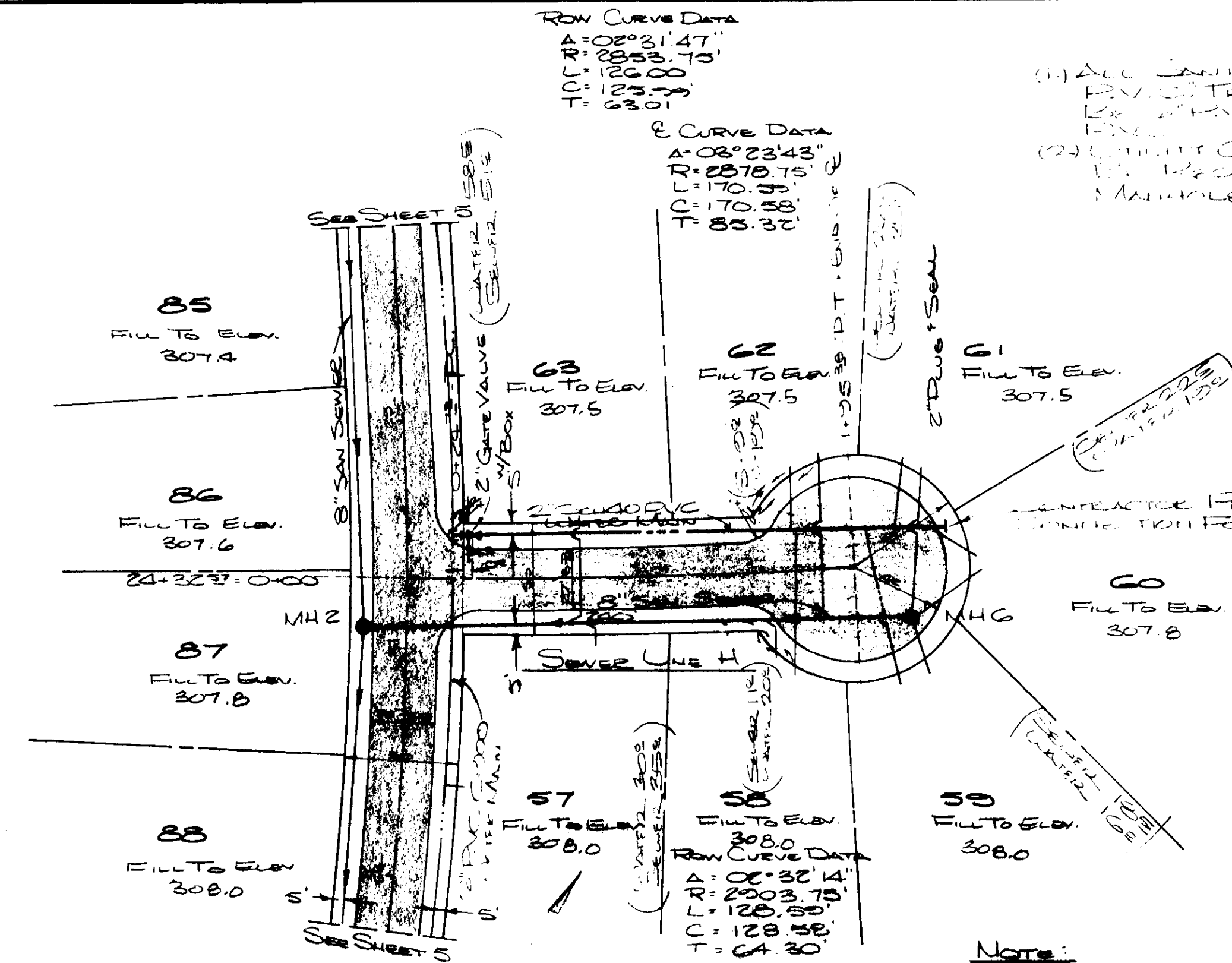


DATE	
BY	
REVISION	
NO.	
PLAN	
NOTE BOOK	
NO.	

DATE	
BY	
REVISION	
NO.	
PROFILE	
NOTE BOOK	
NO.	



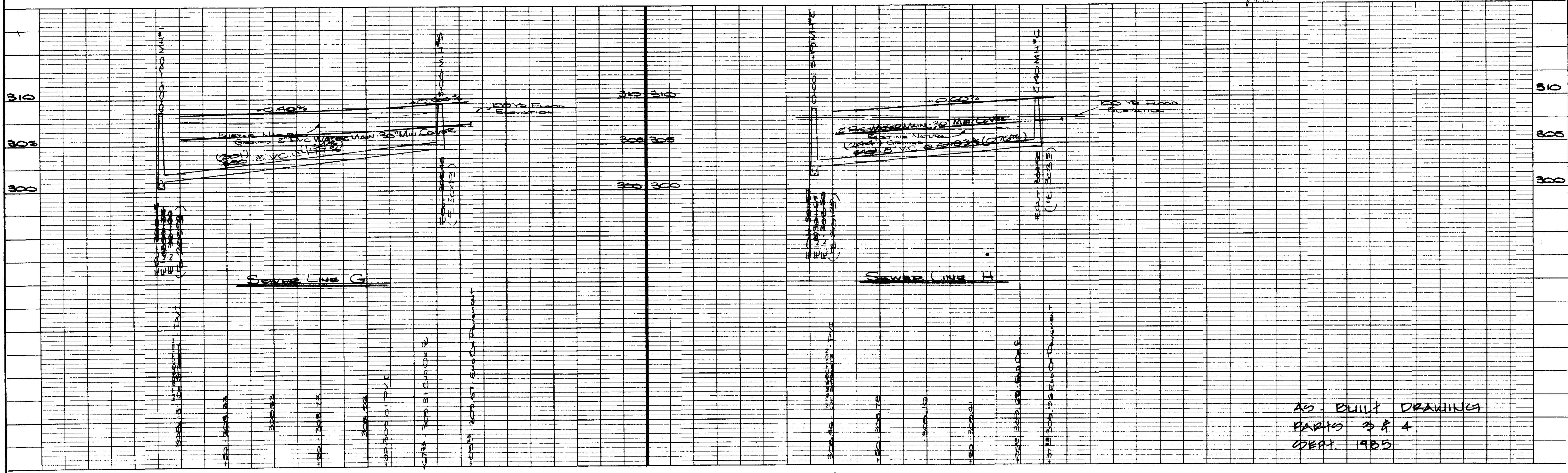
Note:
All Lots Are To Be Filled To A Minimum Elevation Of 307.0 Unless Shown Otherwise.



Note:
All Lots Are To Be Filled To A Minimum Elevation Of 307.0 Unless Shown Otherwise.

Note:
NOT PART OF THIS PROJECT

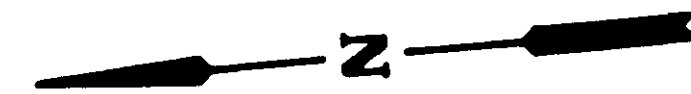
BEAVER CREEK
STREET H AND STREET I
CONTINENTAL CONSULTANTS, INC.
Jackson, Mississippi
CASE and ASSOCIATES, INC.
Jackson, Mississippi
Scale: Horiz. 1"=50'
Vert. 1"=5'
Date: July, 1984
Sheet: 6 of 10



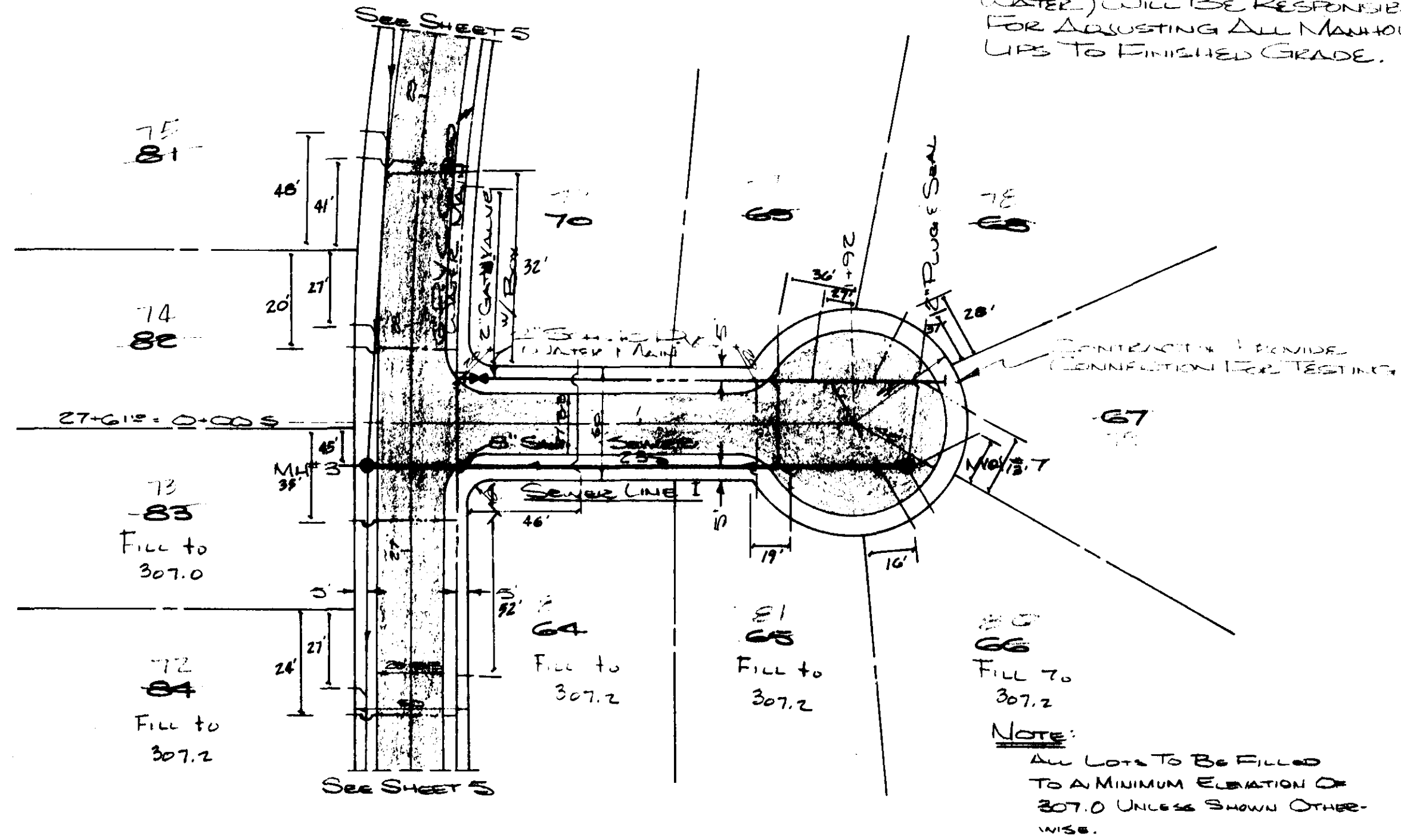
AS-BUILT DRAWING
PARTS 3 & 4
DEPT. 1985

DATE: _____
 BY: _____
 CHECKED: _____
 PLAN
 DRAWING NO. _____
 NOTE BOOK NO. _____

DATE: _____
 BY: _____
 CHECKED: _____
 PROFILE
 DRAWING NO. _____
 NOTE BOOK NO. _____

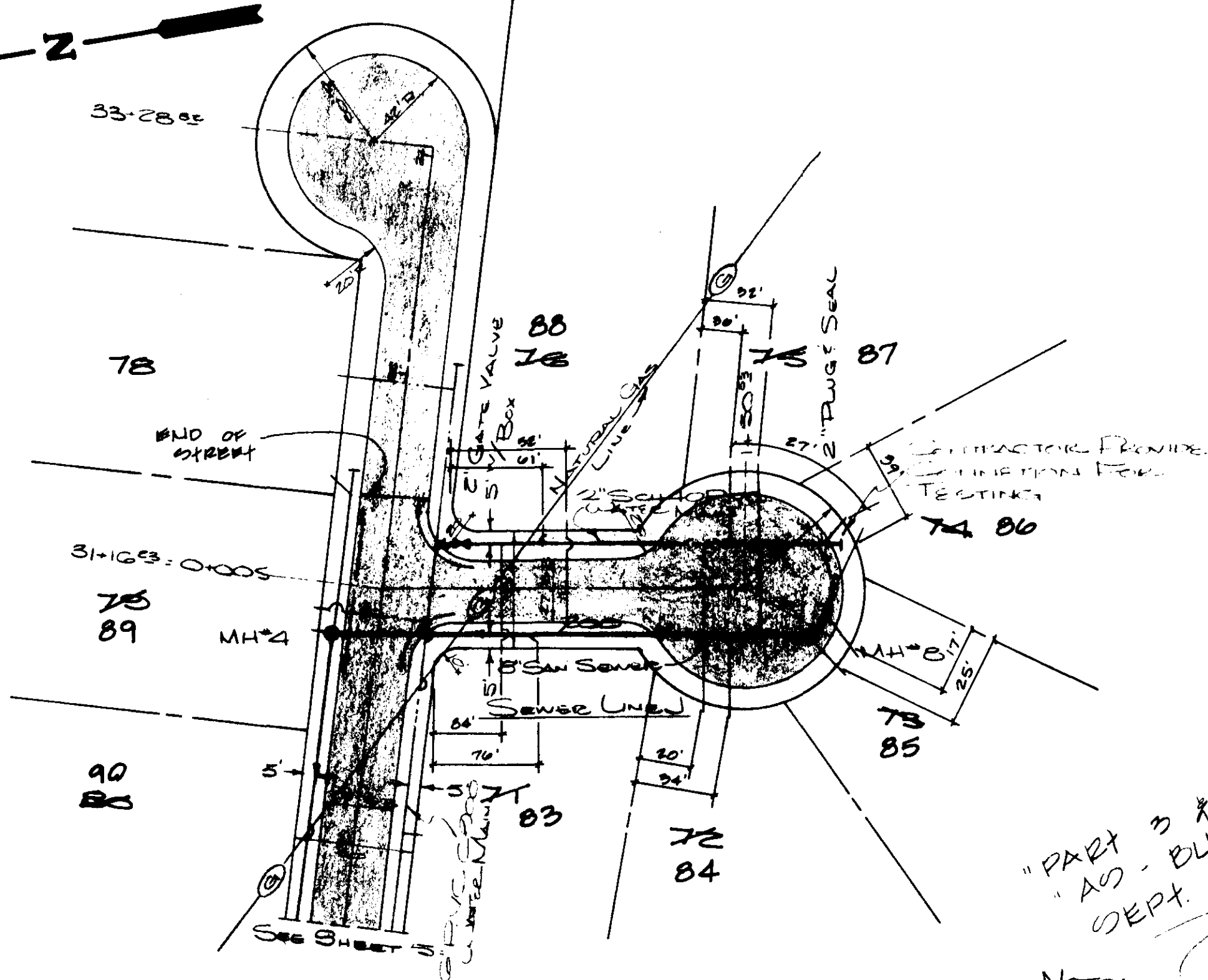
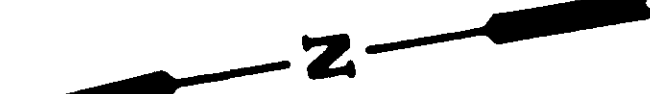


NOTES:
 (1) ALL SANITARY SEWER PIPE SHALL BE P.V.C. TRUSS AND ALL WATER PIPE SHALL BE 3" P.V.C. SCHED AND 2" SCHEDULE 40 P.V.C.
 (2) UTILITY CONTRACTOR (SEWER/WATER) WILL BE RESPONSIBLE FOR ADJUSTING ALL MANHOLE LIPS TO FINISHED GRADE.

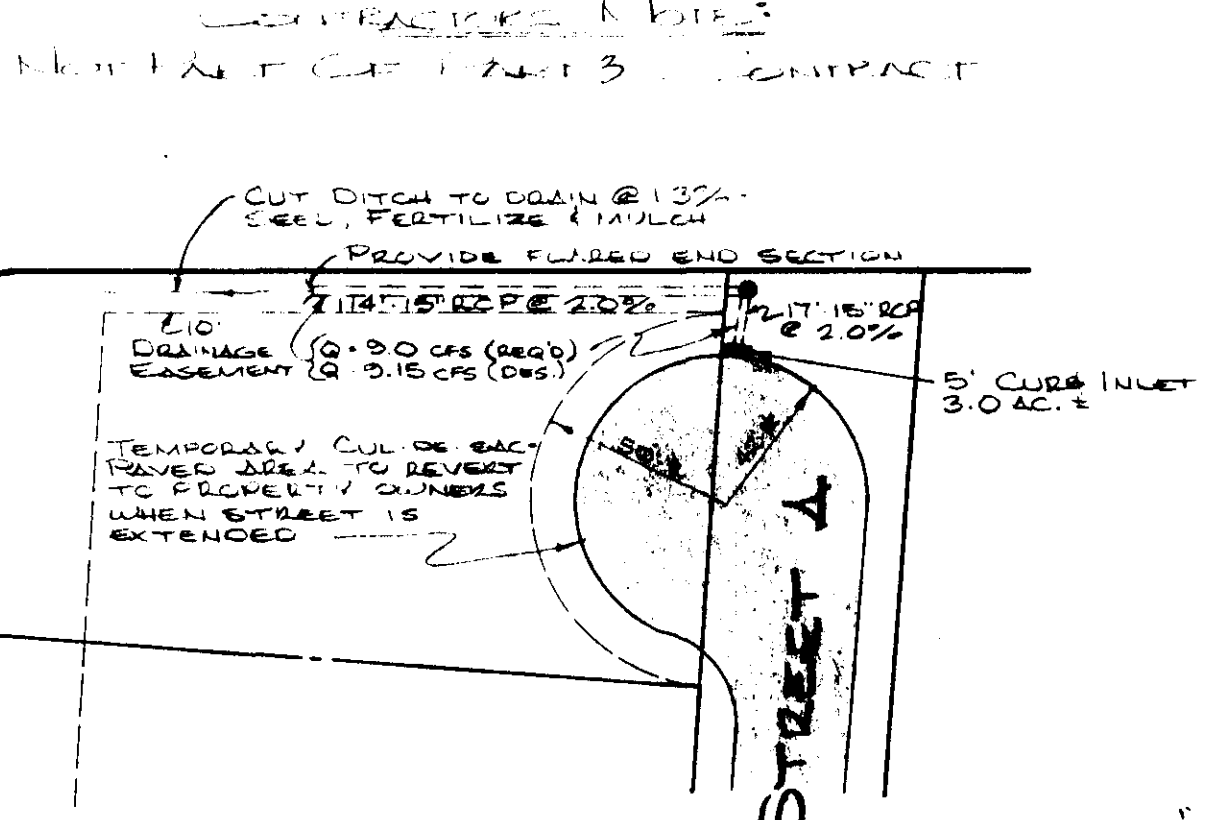
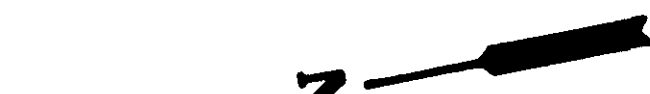


NOTE:
 ALL LOTS TO BE FILLED TO A MINIMUM ELEVATION OF 307.0 UNLESS SHOWN OTHERWISE.

AC 10/15 11/16/84



NOT PART OF PLOT 3 CONTRACT



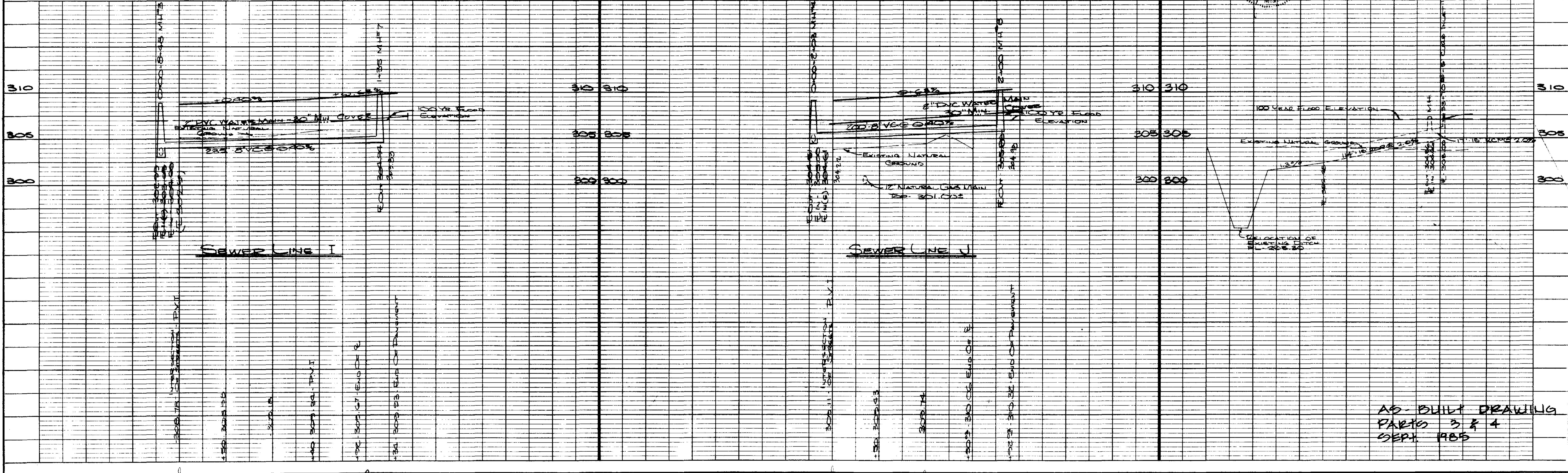
STORM SEWER

NOT BUILT
 1/15/84

"PART 3 & 4"
 AS-BUILT
 DEPT. 1985

NOTE:
 ALL LOTS ARE TO BE FILLED TO A MINIMUM ELEVATION OF 307.0 UNLESS SHOWN OTHERWISE.

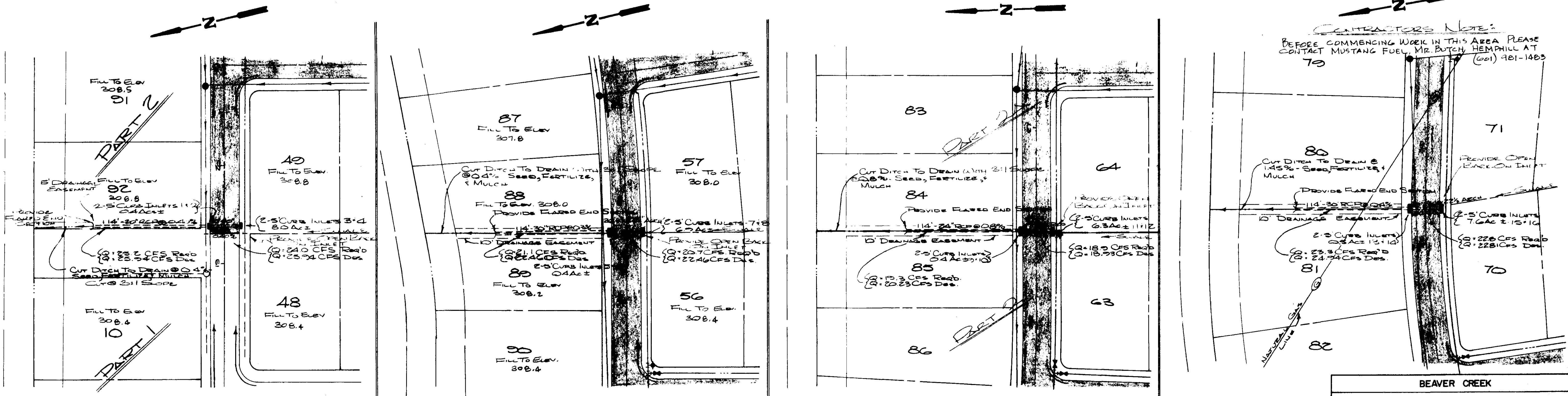
BEAVER CREEK		
STREET J AND STREET K		
CONTINENTAL CONSULTANTS, INC. Jackson, Mississippi		
CASE and ASSOCIATES, INC. Jackson, Mississippi		
Scale: Horiz. 1" = 30'	Date: JULY 1984	Sheet: 7 of 10



AS-BUILT DRAWING
 PARTS 3 & 4
 SEPT. 1985

DATE: _____
 BY: _____
 CHECKED: _____
 NO. _____

DATE: _____
 BY: _____
 CHECKED: _____
 NO. _____



Note:
 ALL LOTS ARE TO BE FILLED
 TO A MINIMUM ELEVATION OF 307.4
 UNLESS SHOWN OTHERWISE.

AS-BUILT
 JUNE 1984



BEAVER CREEK

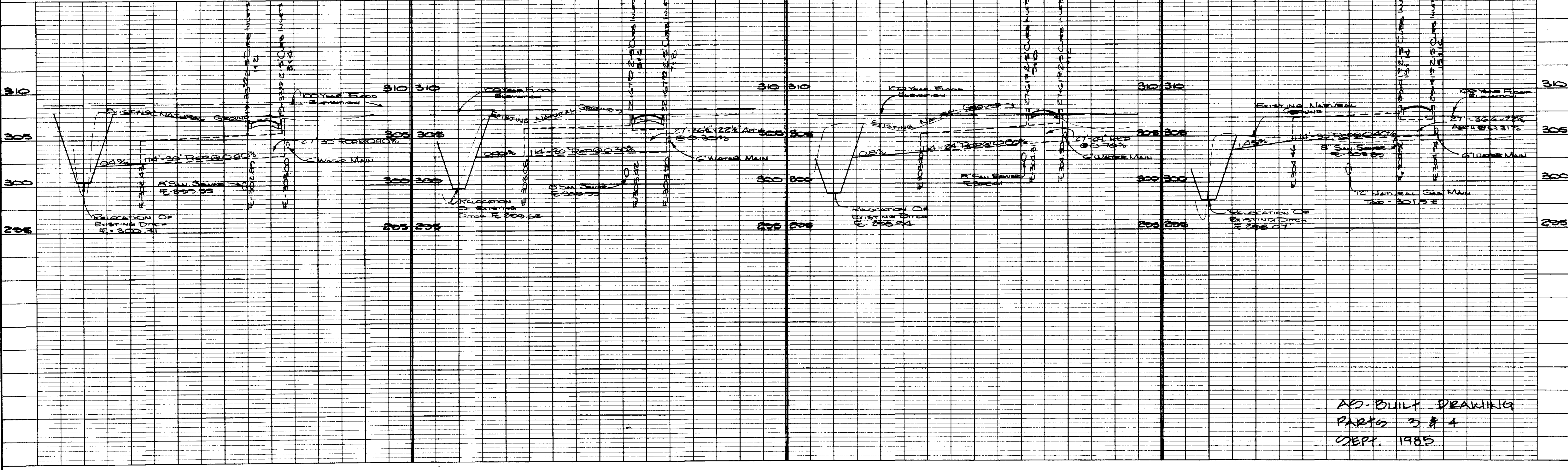
STORM SEWER

CONTINENTAL CONSULTANTS, INC.
 Jackson, Mississippi

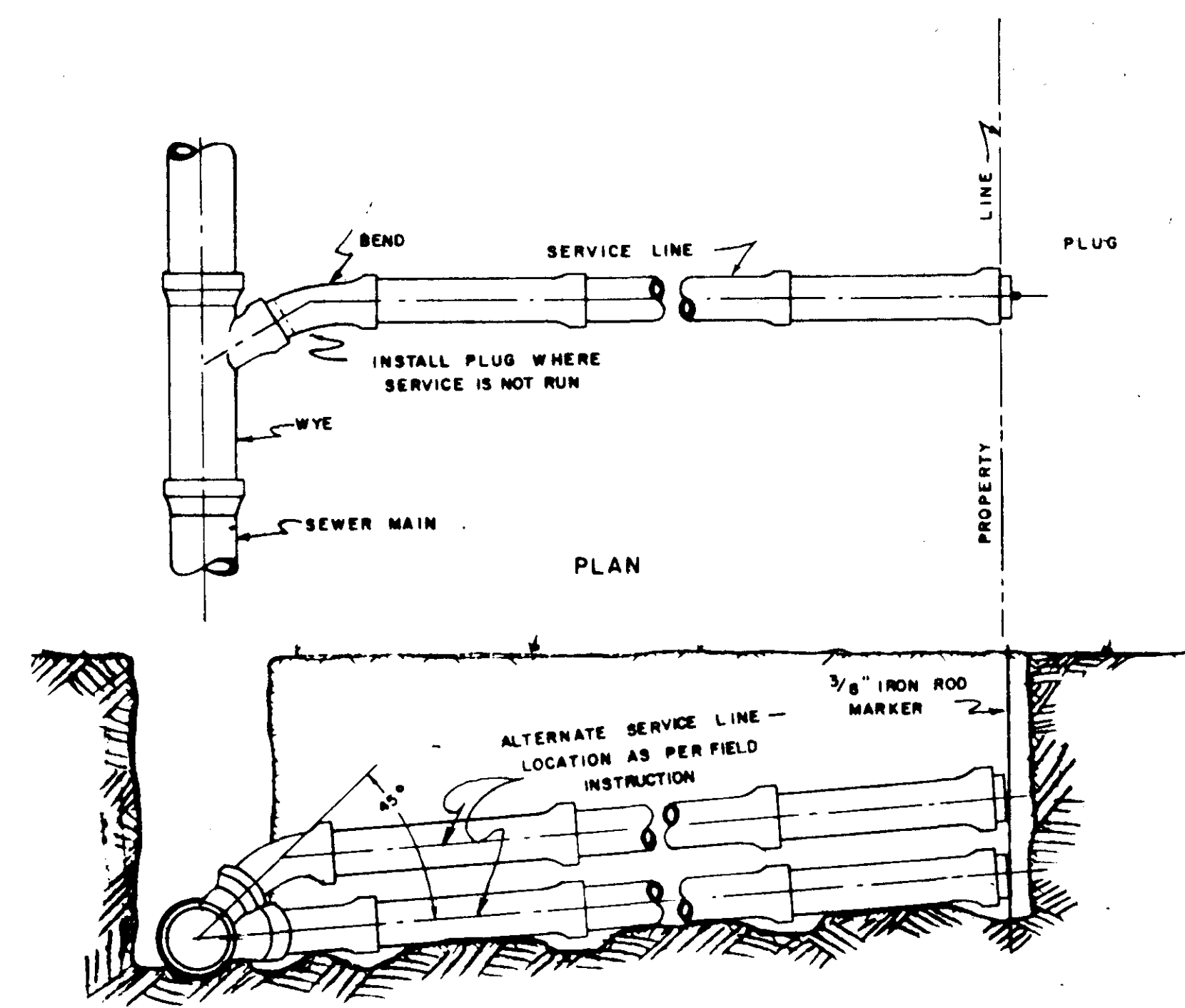
CASE AND ASSOCIATES, INC.
 Jackson, Mississippi

Scale: Horiz. 1" = 50'
 Vert. 1" = 5'

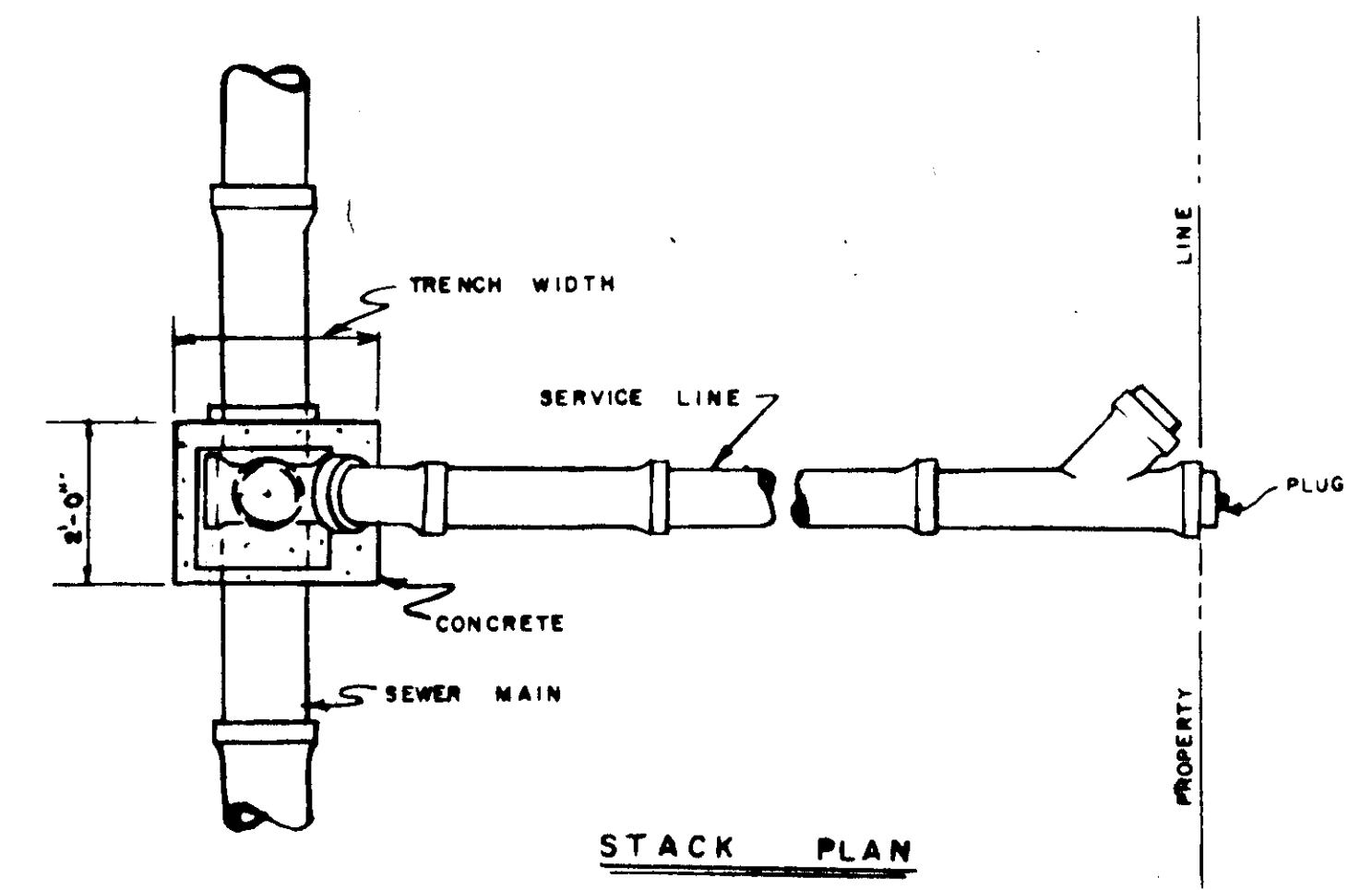
Date: June, 1984 Sheet: 3 of 10



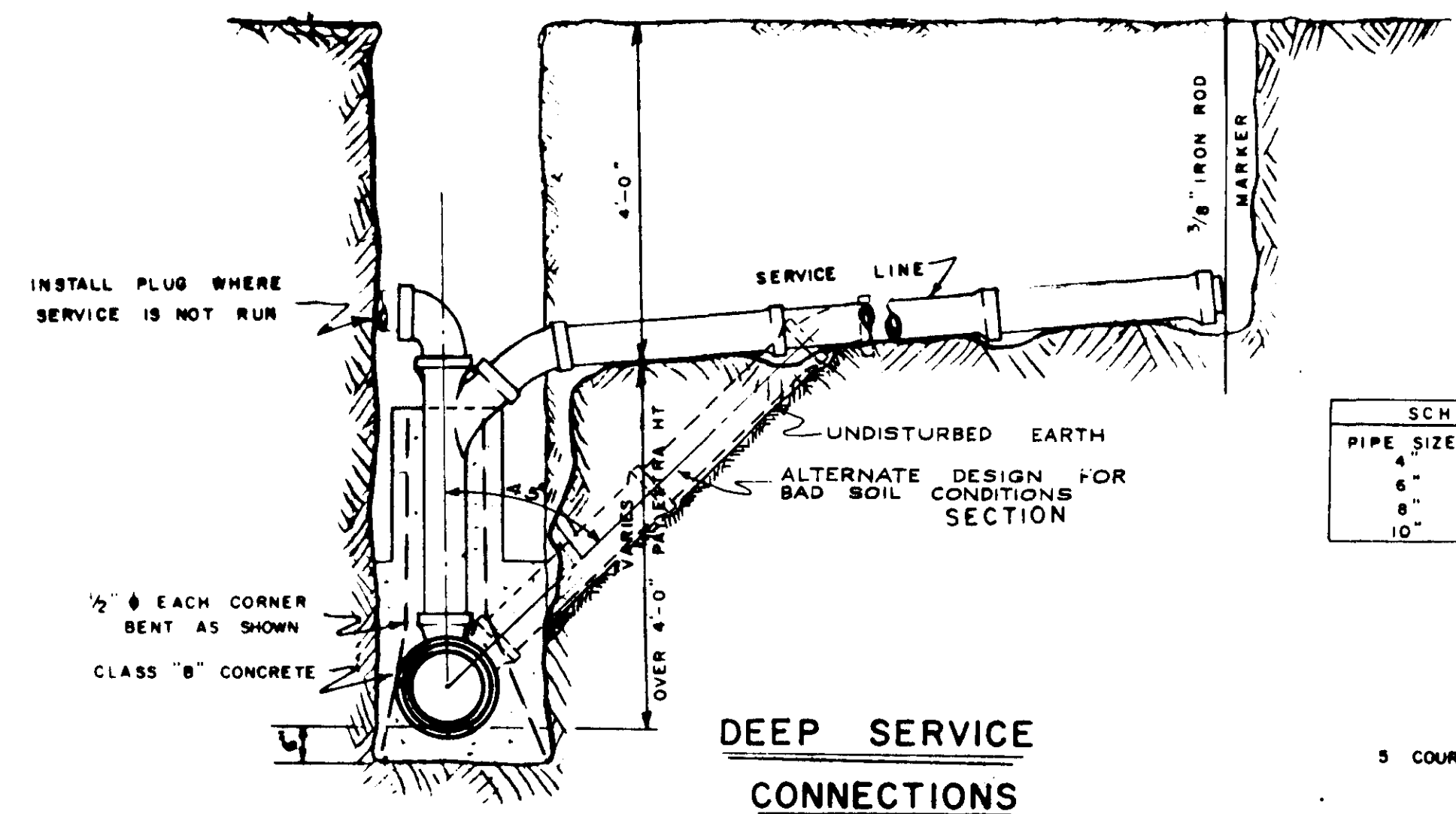
AS-BUILT DRAWING
 PARTS 3 & 4
 SEPT. 1985



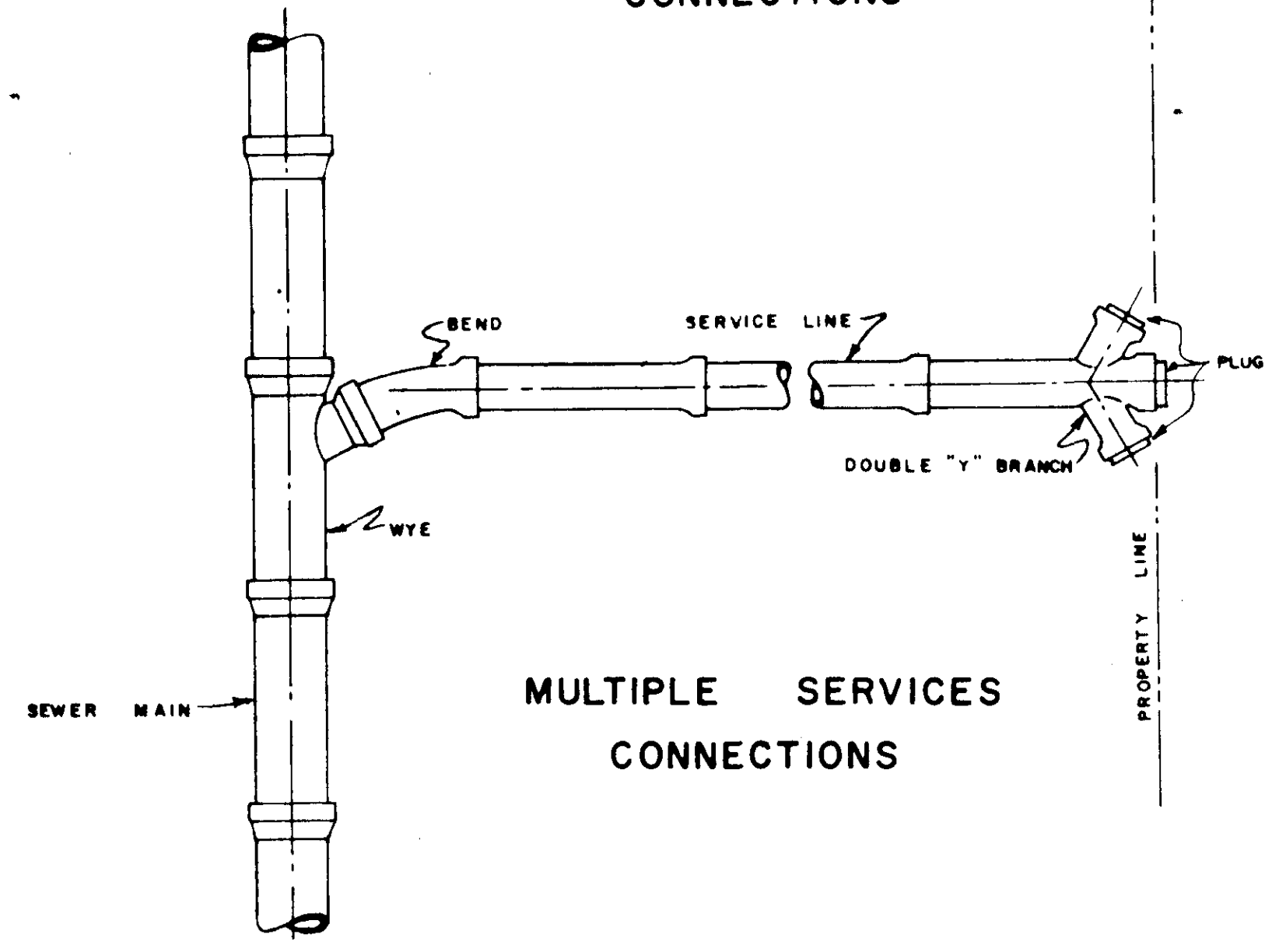
SECTION
SHALLOW SERVICES CONNECTIONS



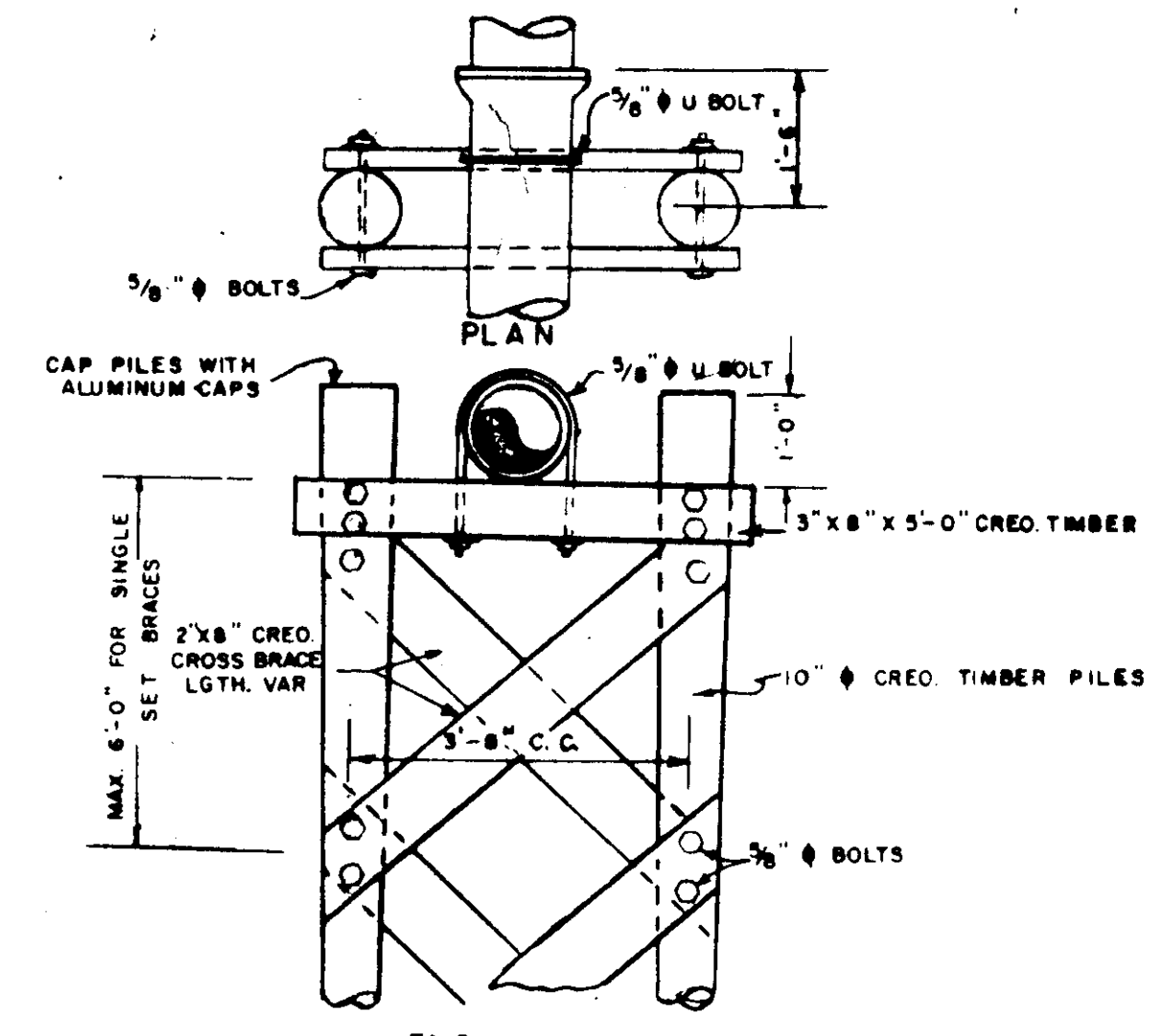
STACK PLAN



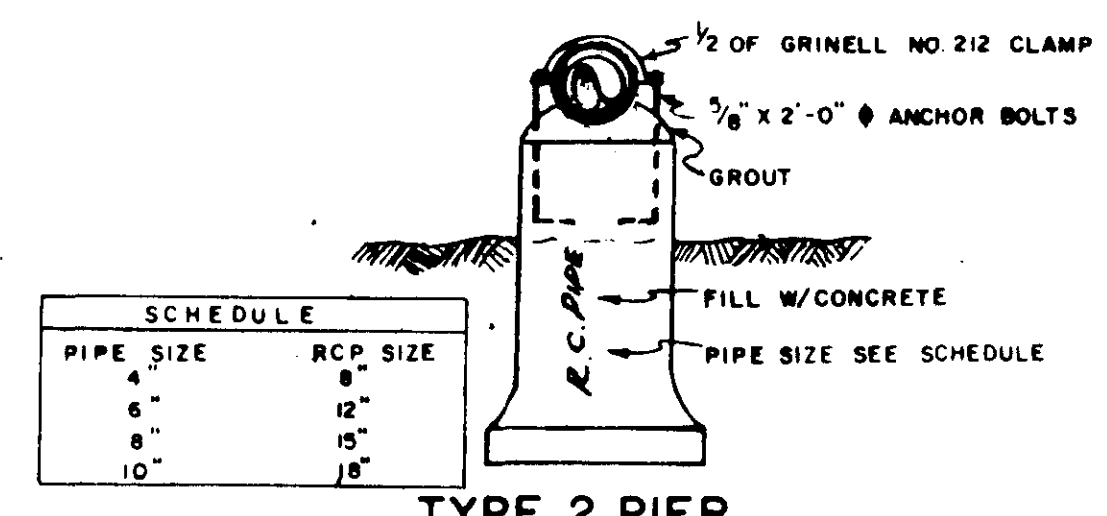
DEEP SERVICE CONNECTIONS



MULTIPLE SERVICES CONNECTIONS

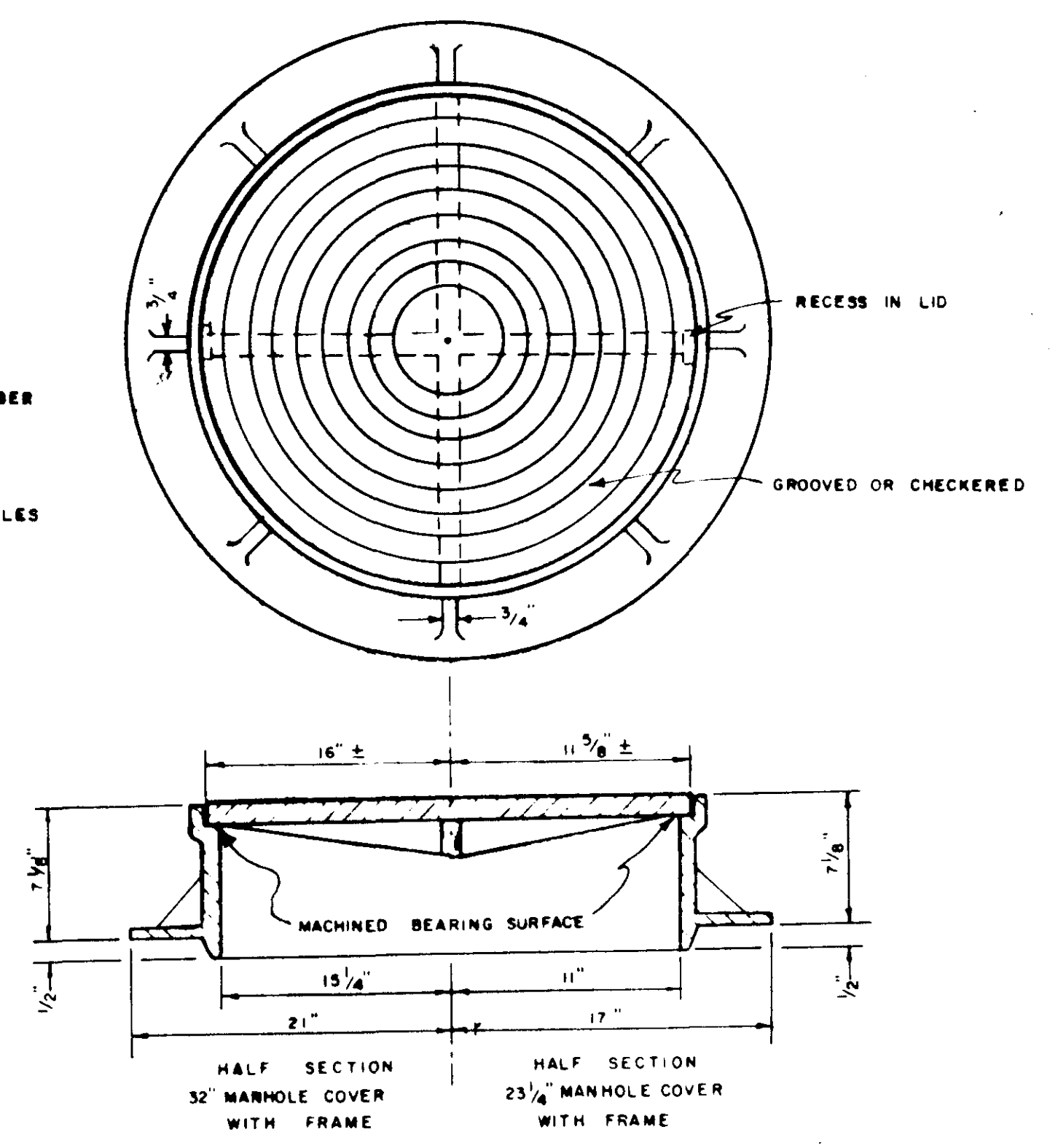


END VIEW
TYPE 1 PIERS
NO SCALE



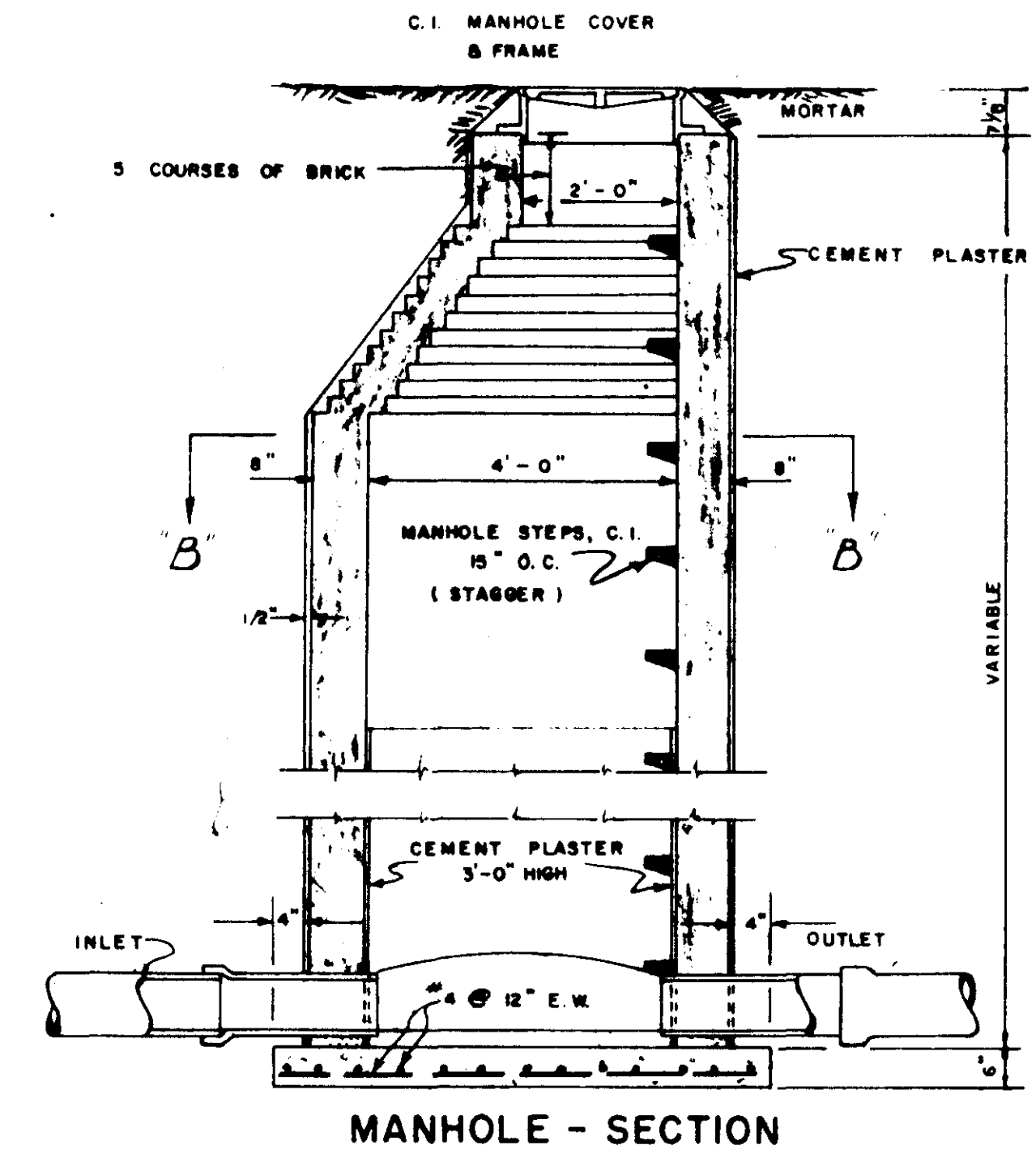
PIPE SIZE	RCP SIZE
4"	12"
6"	15"
8"	18"
10"	24"

TYPE 2 PIER

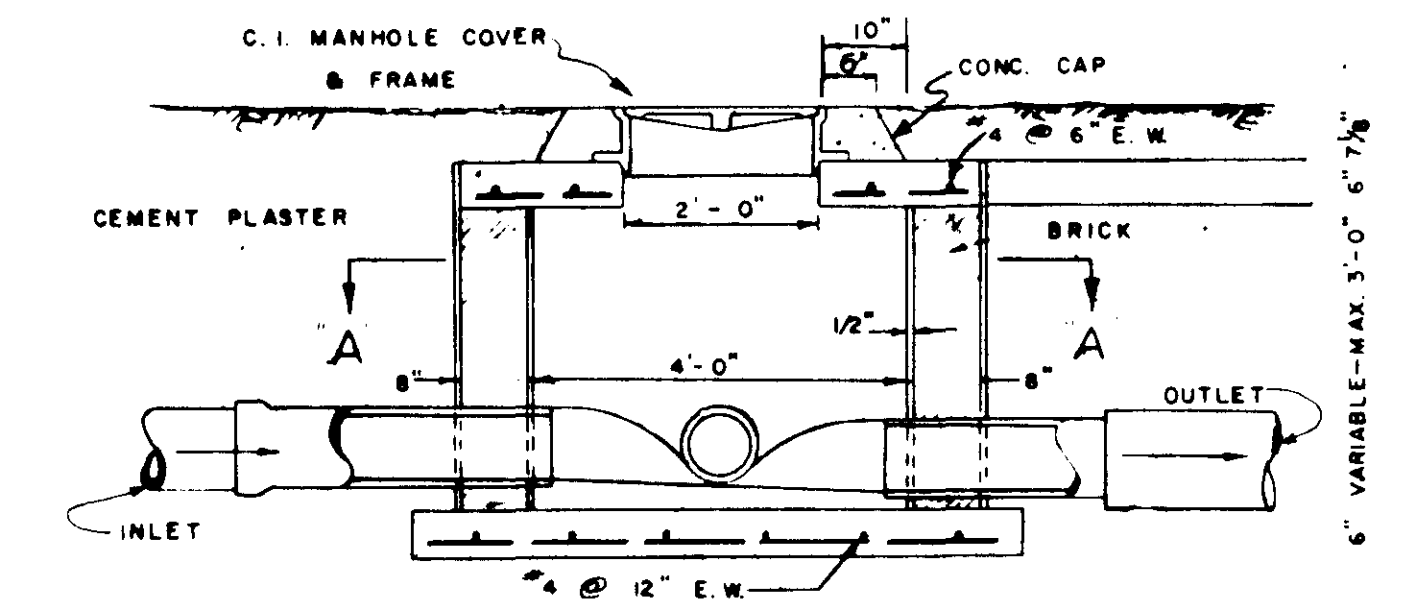


STANDARD MANHOLE FRAME & COVER

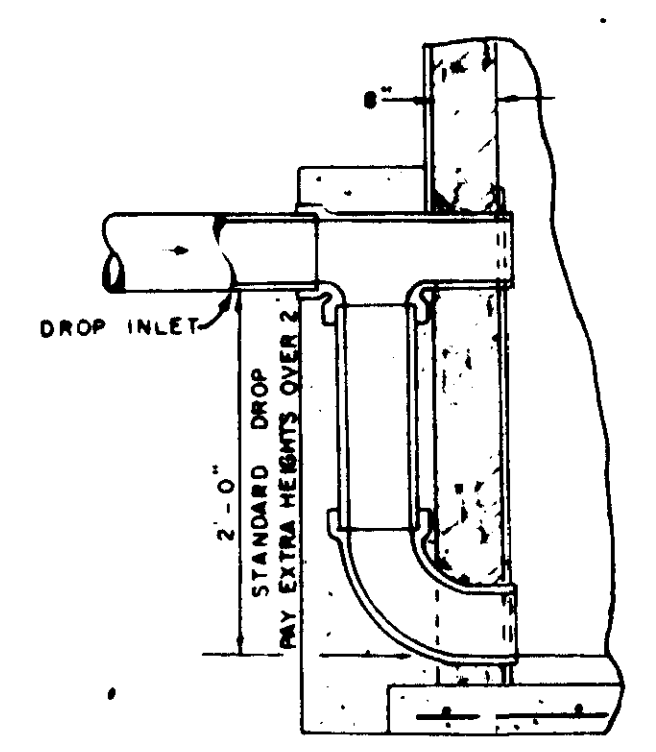
NOTE: 1. 23 1/4" M.H. FRAME AND COVER SHALL WEIGH NOT LESS THAN 360 LBS.
2. 32" M.H. FRAME AND COVER SHALL WEIGH NOT LESS THAN 750 LBS.
3. MATERIAL CAST IRON A.S.T.M. A-48, CLASS #20



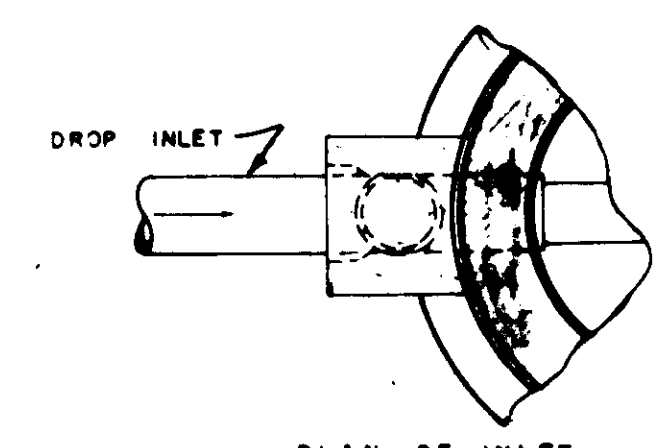
MANHOLE - SECTION



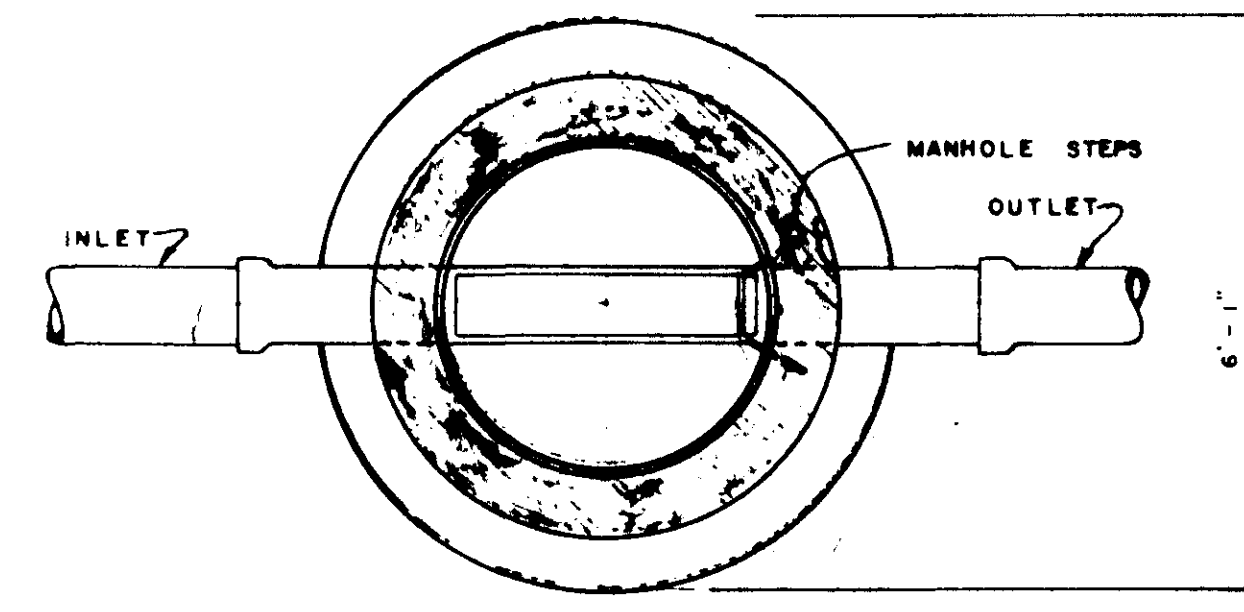
SHALLOW MANHOLE - SECTION



SECTION OF INLET MANHOLE DROP

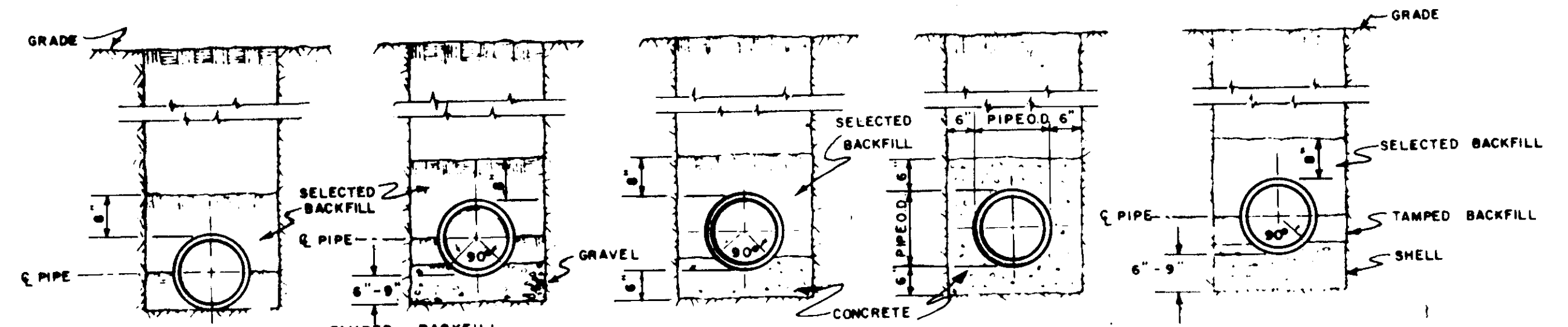


PLAN OF INLET MANHOLE DROP



SECTION B-B

AS-BUILT DRAWING
PARTS 3 & 4
SEPT. 1985



TYPICAL TRENCH

GRAVEL SUBGRADE

CONCRETE CRADLE

CONCRETE ENCASEMENT

SHELL SUBGRADE

QUANTITY	CY/FT.
6"	0.060
8"	0.068
10"	0.078
12"	0.088
14"	0.100
16"	0.114
18"	0.130
20"	0.148
24"	0.180

QUANTITY	CY/FT.
6"	0.030
8"	0.034
10"	0.038
12"	0.041
14"	0.045
16"	0.049
18"	0.053
20"	0.057
24"	0.068

QUANTITY	CY/FT.
6"	0.079
8"	0.088
10"	0.098
12"	0.108
14"	0.118
16"	0.128
18"	0.138
20"	0.148
24"	0.180

QUANTITY	CY/FT.
6"	0.060
8"	0.068
10"	0.078
12"	0.088
14"	0.100
16"	0.114
18"	0.130
20"	0.148
24"	0.180

BEAVER CREEK, PART 3

Standard Detail

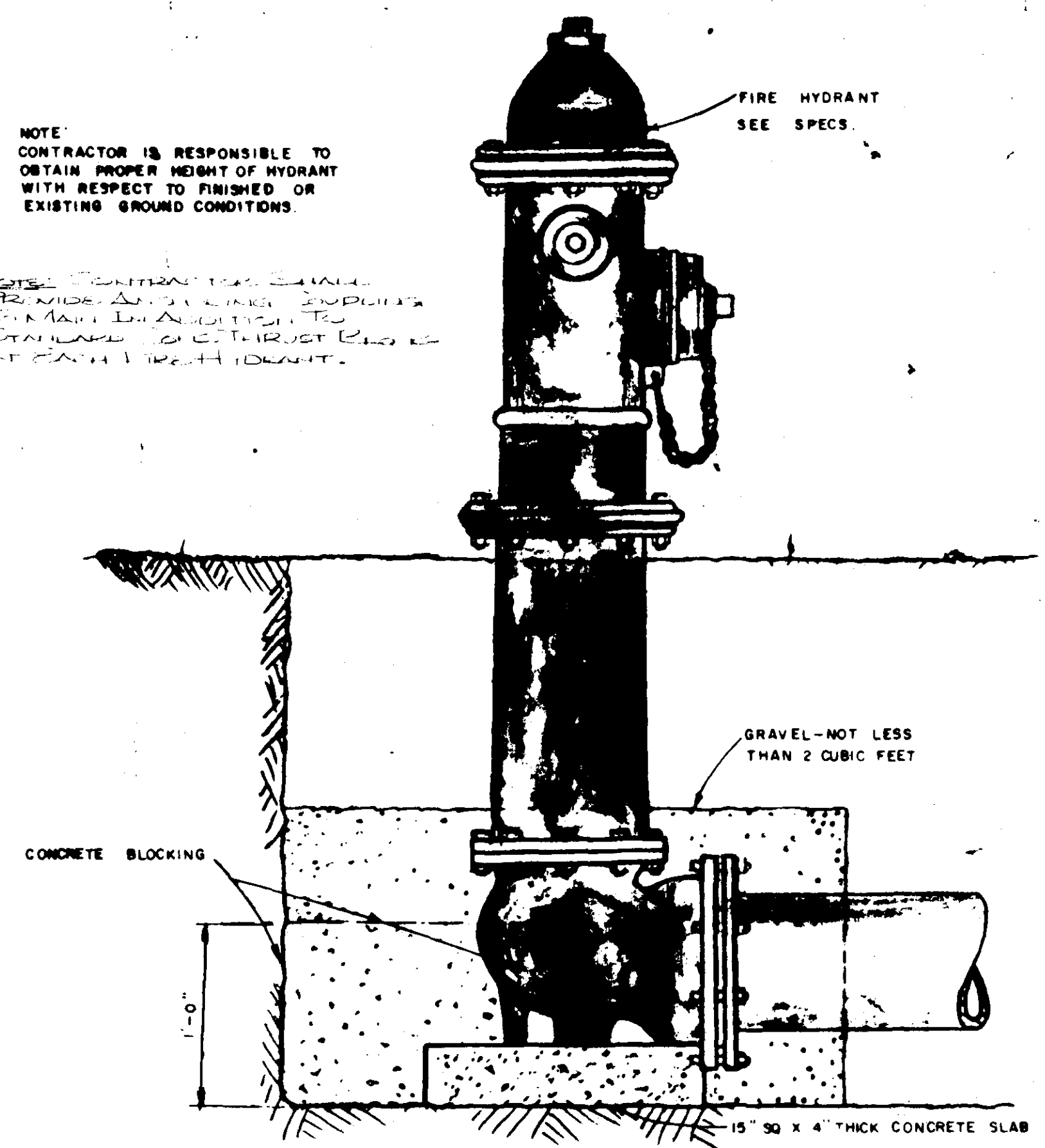
CONTINENTAL CONSULTANTS, INC.
Jackson, Mississippi

CASE and ASSOCIATES, INC.
Jackson, Mississippi

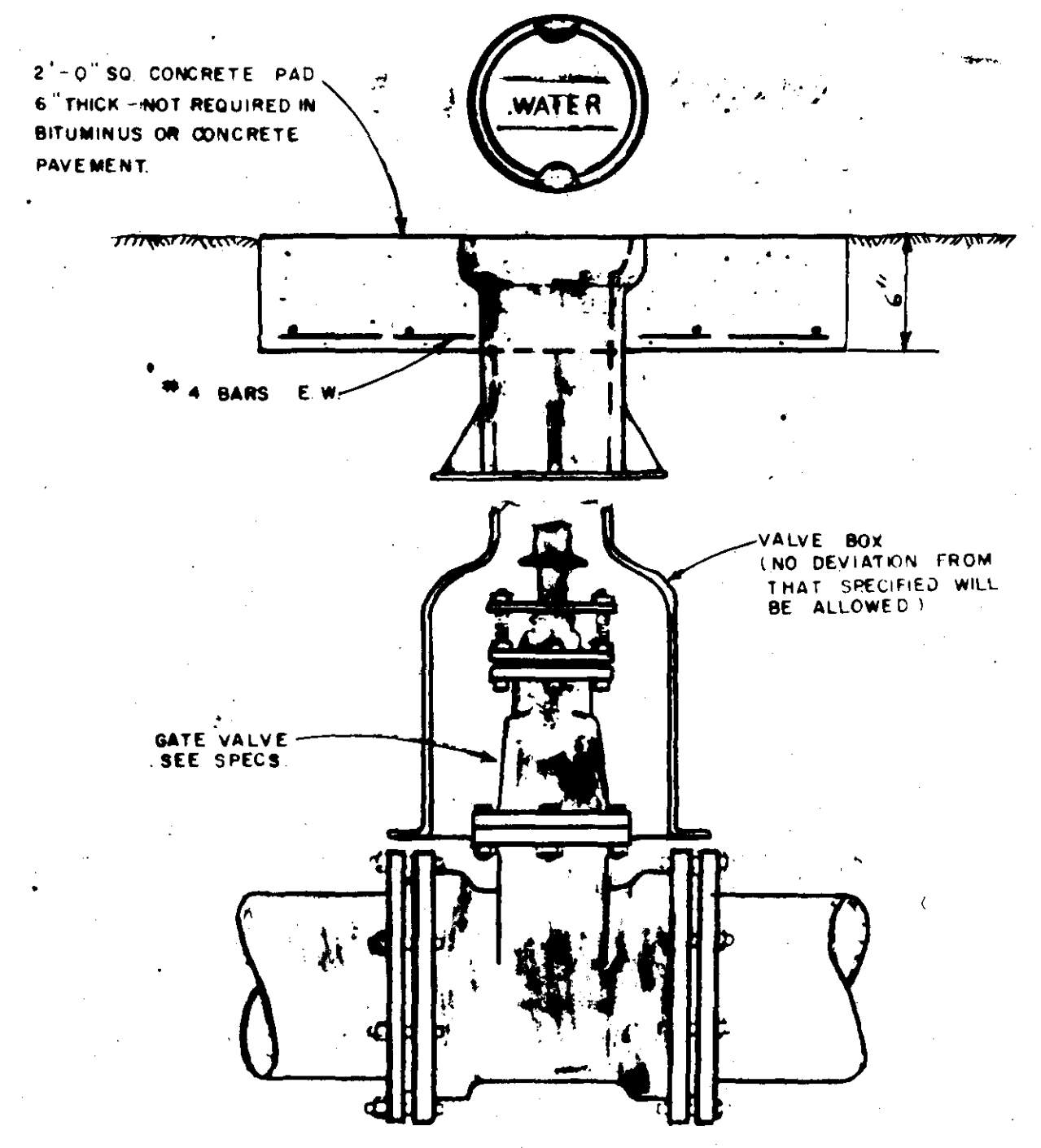
SCALE: 1" = 100' DATE: _____ SHEET 9 OF 10

NOTE: CONTRACTOR IS RESPONSIBLE TO OBTAIN PROPER HEIGHT OF HYDRANT WITH RESPECT TO FINISHED OR EXISTING GROUND CONDITIONS.

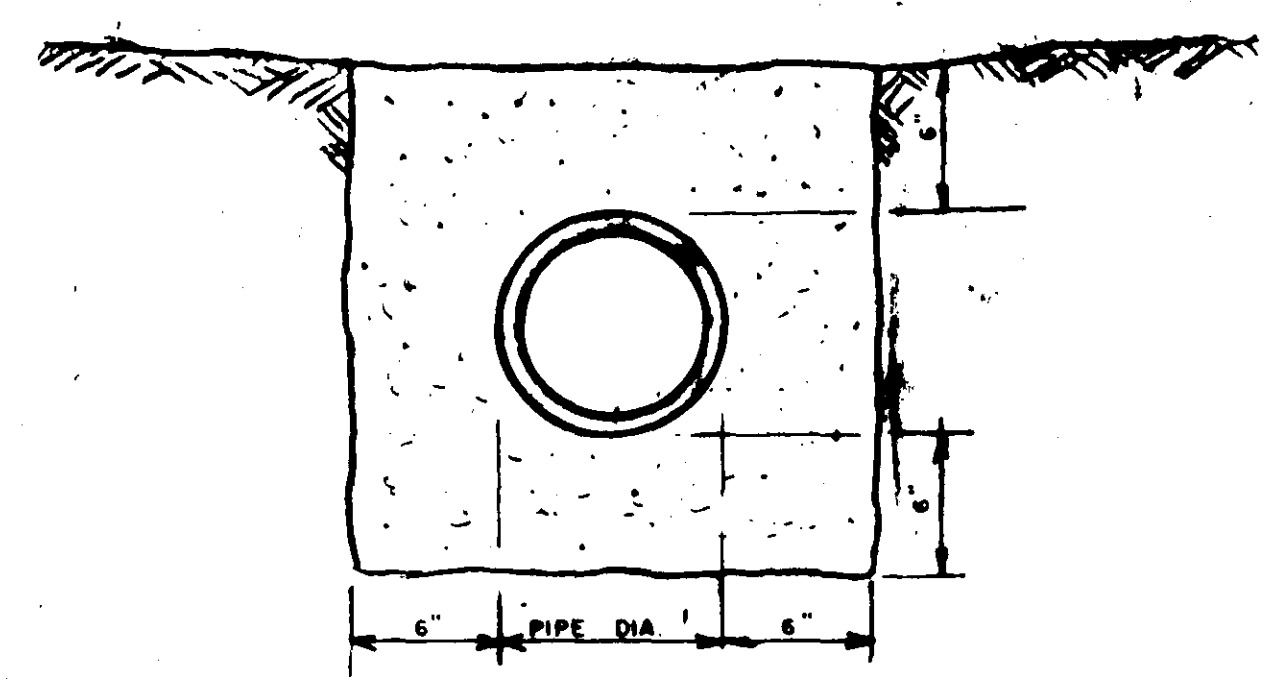
NOTE: CONTRACTOR SHALL PROVIDE AND MAINTAIN SUFFICIENT CLEARANCE TO ALL UTILITIES TO BE DELETED OR TO BE PROTECTED BY THE CONTRACTOR'S OWNERS AT ALL TIMES THROUGHOUT THE PROJECT.



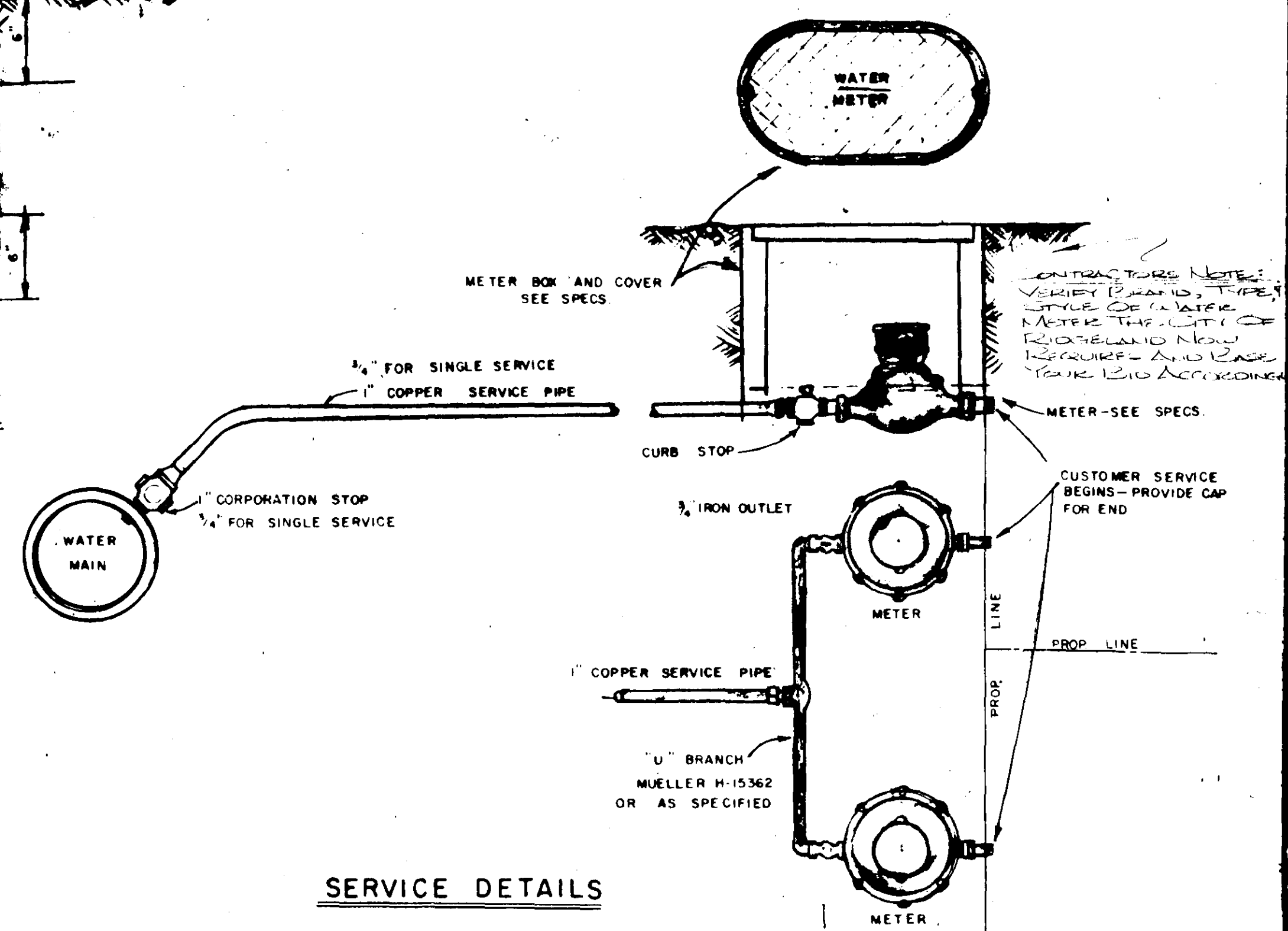
FIRE HYDRANT DETAIL



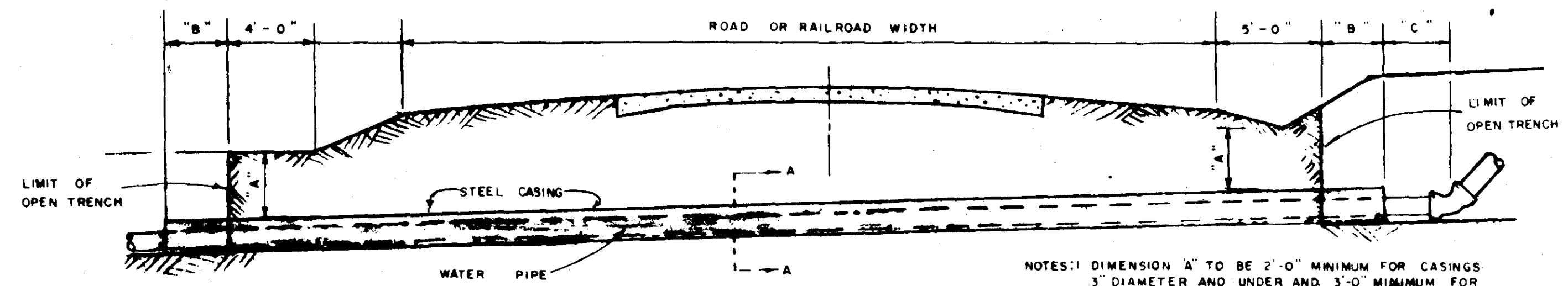
VALVE & BOX DETAIL



PIPE ENCASEMENT

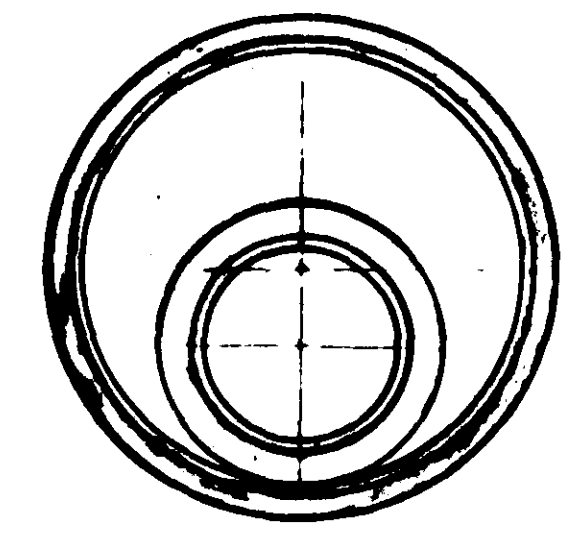


SERVICE DETAILS



CROSSING DETAIL

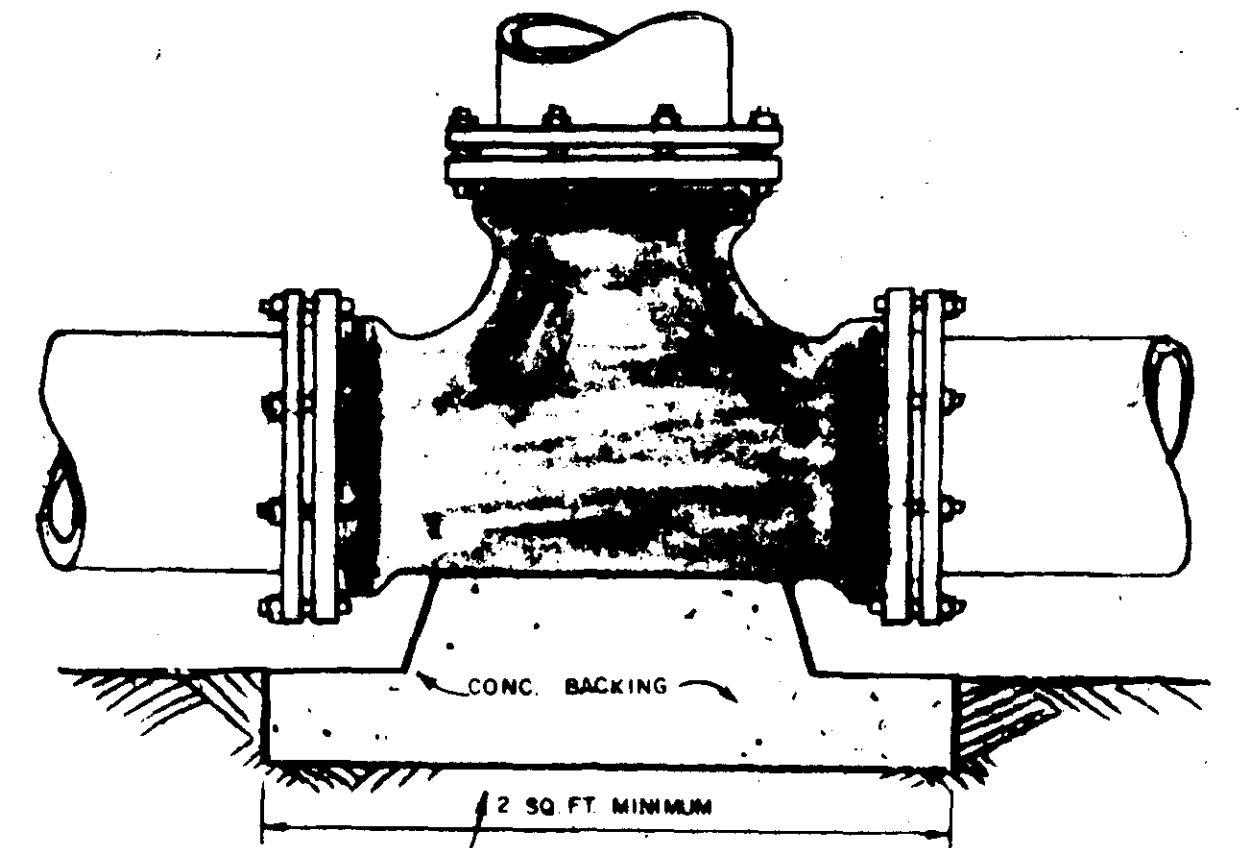
- NOTES:
1. DIMENSION "A" TO BE 2'-0" MINIMUM FOR CASINGS 3" DIAMETER AND UNDER AND 3'-0" MINIMUM FOR CASINGS OVER 3". DIMENSIONS "B" AND "C" TO BE 2'-0" MINIMUM FOR LINES 3" DIAMETER AND UNDER AND 4'-0" MINIMUM FOR LINES OVER 3".
 2. ENCASEMENTS TO BE INSTALLED UNDER THE ROAD BY MEANS OF JACKING THROUGH OR BY DRILLING A HOLE THAT WILL RECEIVE THE CASING WITH SNUG FIT.
 3. CORRUGATED METAL OR STEEL CASING PIPE OPTIONAL FOR RAILROAD CROSSINGS - HIGHWAY CROSSINGS - STEEL PIPE ONLY.
 4. "B" DIMENSION WILL BE PAID FOR AS CIP IN CASING BORED OR JACKED CASING TO BE PAID FOR TO LIMIT OF OPEN TRENCH ONLY.
 5. WHERE THERE IS CONFLICT WITH THE PLANS AND HIGHWAY AND RAILROAD CROSSING PERMITS, THE APPROVED PERMITS WILL GOVERN.



SECTION A-A

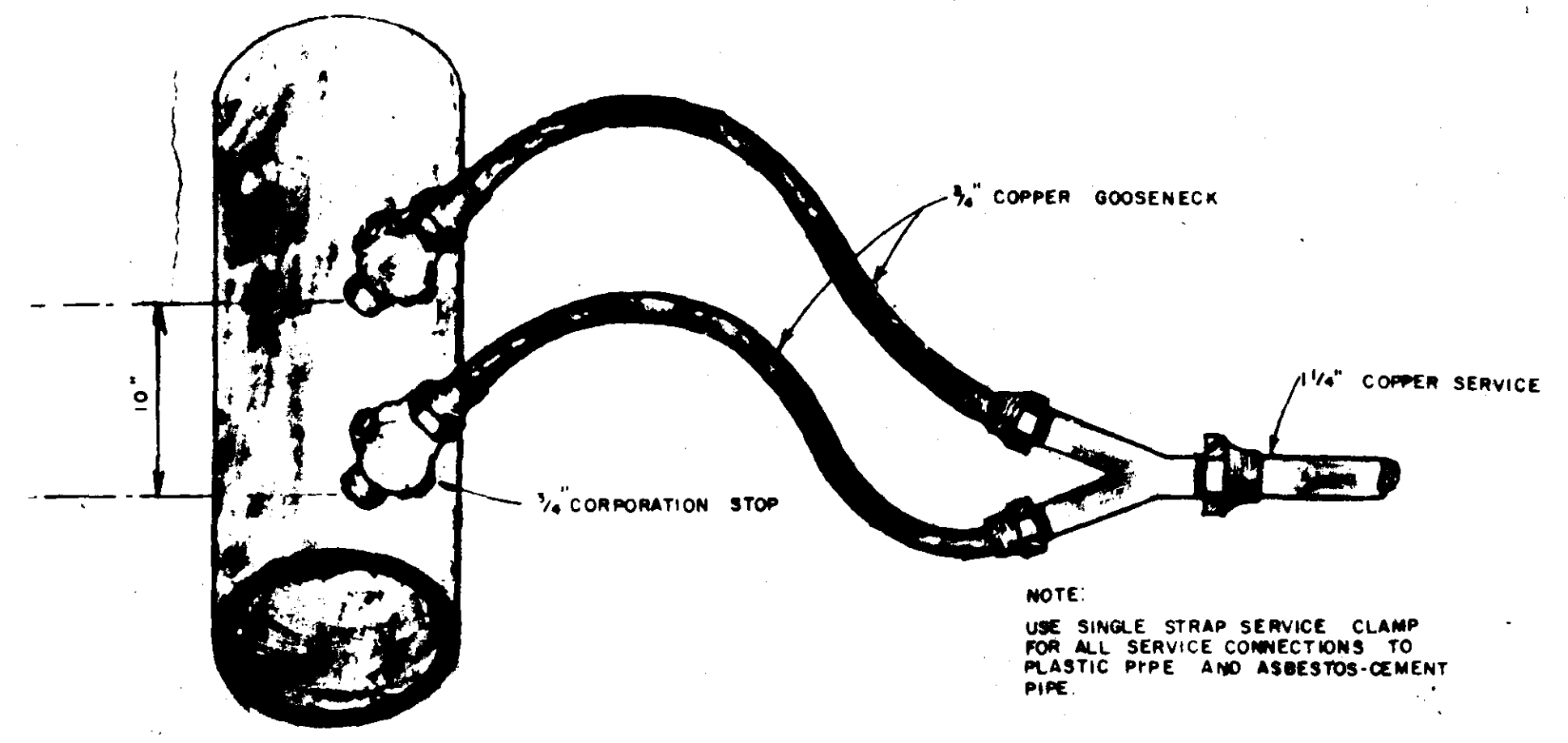
18" API SCHEDULE 10 STEEL PIPE ENCASEMENT FOR 10" PIPE
 14" 16" 12"

NOTE: 2 SQ FT. MINIMUM AREA IN CONTACT WITH UNDISTURBED EARTH - LEAVE FITTINGS AND JOINTS ACCESSIBLE.



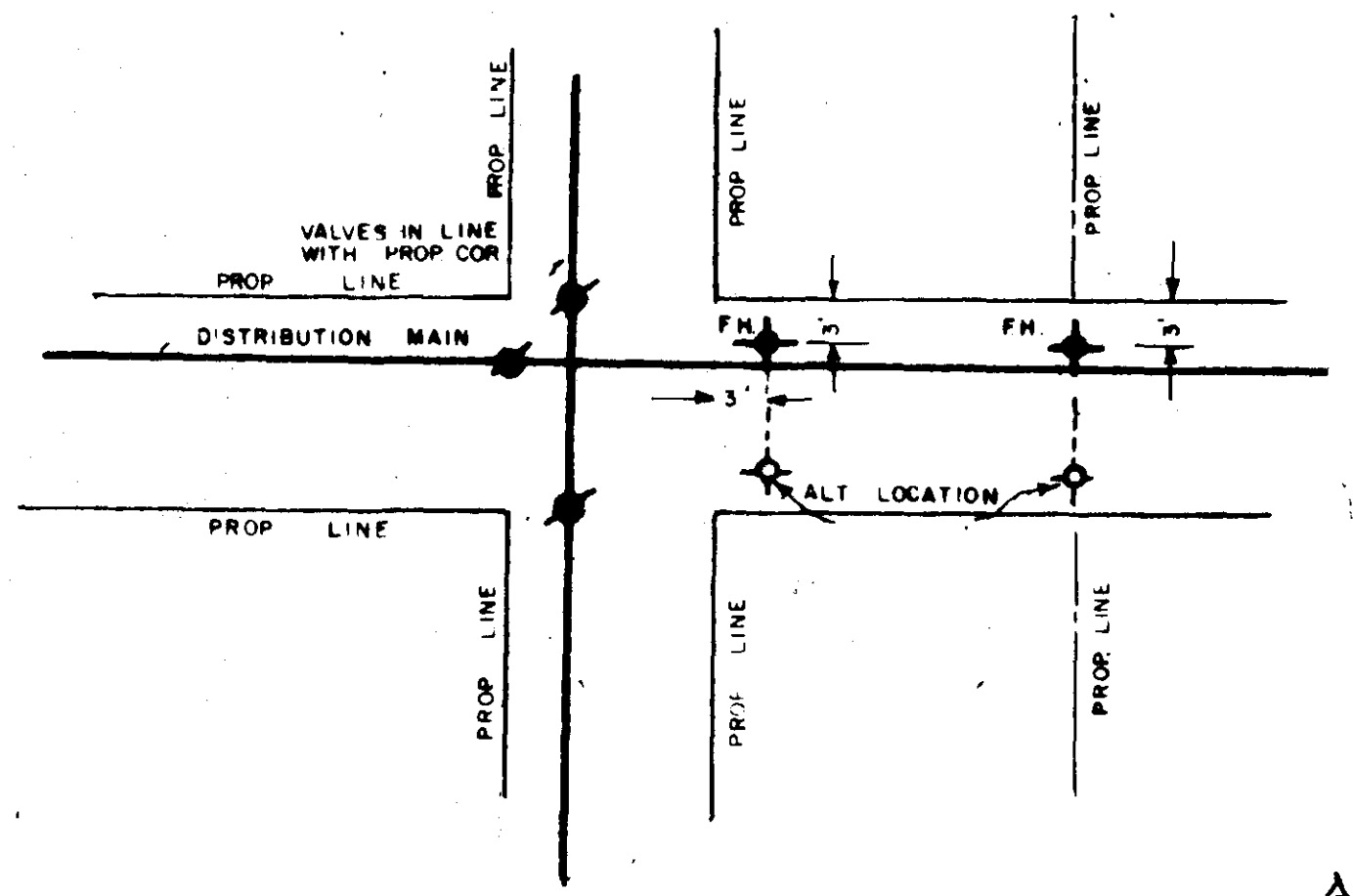
BEND & TEE DETAILS

- GENERAL NOTES:
1. NO ADDITIONAL COMPENSATION WILL BE ALLOWED FOR USE OF ADDITIONAL FITTINGS WHERE UNDERGROUND OBSTACLES ARE ENCOUNTERED, WITHOUT WRITTEN APPROVAL OF THE ENGINEER.
 2. ALL WATER LINES WITHIN ROW LIMITS OF HIGHWAYS AND RAILROADS ARE TO BE INSTALLED IN STRICT ACCORDANCE WITH THE APPROVED PERMITS.
 3. CONTRACTOR WILL COORDINATE THE LOCATION OF EXISTING UTILITIES WITH THE PROPER AUTHORITIES.



SERVICE CONNECTIONS

NOTE: USE SINGLE STRAP SERVICE CLAMP FOR ALL SERVICE CONNECTIONS TO PLASTIC PIPE AND ASBESTOS-CEMENT PIPE.



TYPICAL DETAIL OF VALVE AND HYDRANT LOCATIONS

AS-BUILT DRAWING
 PARTS 3 & 4
 SEPT. 1985



Standard Detail		
CONTINENTAL CONSULTANTS, INC. Jackson, Mississippi		
CASE and ASSOCIATES, INC. Jackson, Mississippi		
SCALE: 1" = 100	DATE: JULY 1983	SHEET 10 OF 10