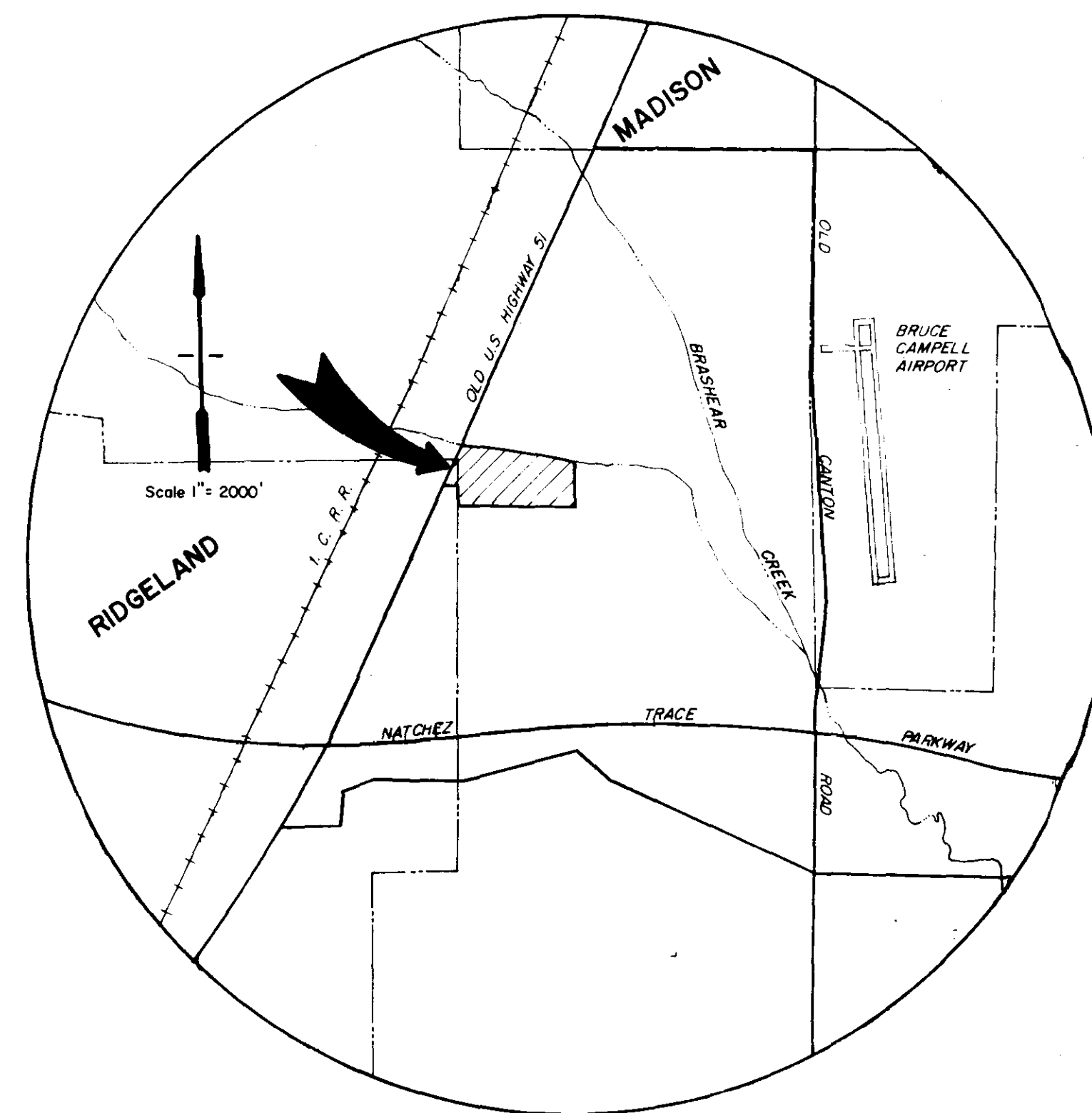


BEAVER CREEK  
PART 2  
RIDGELAND, MISSISSIPPI



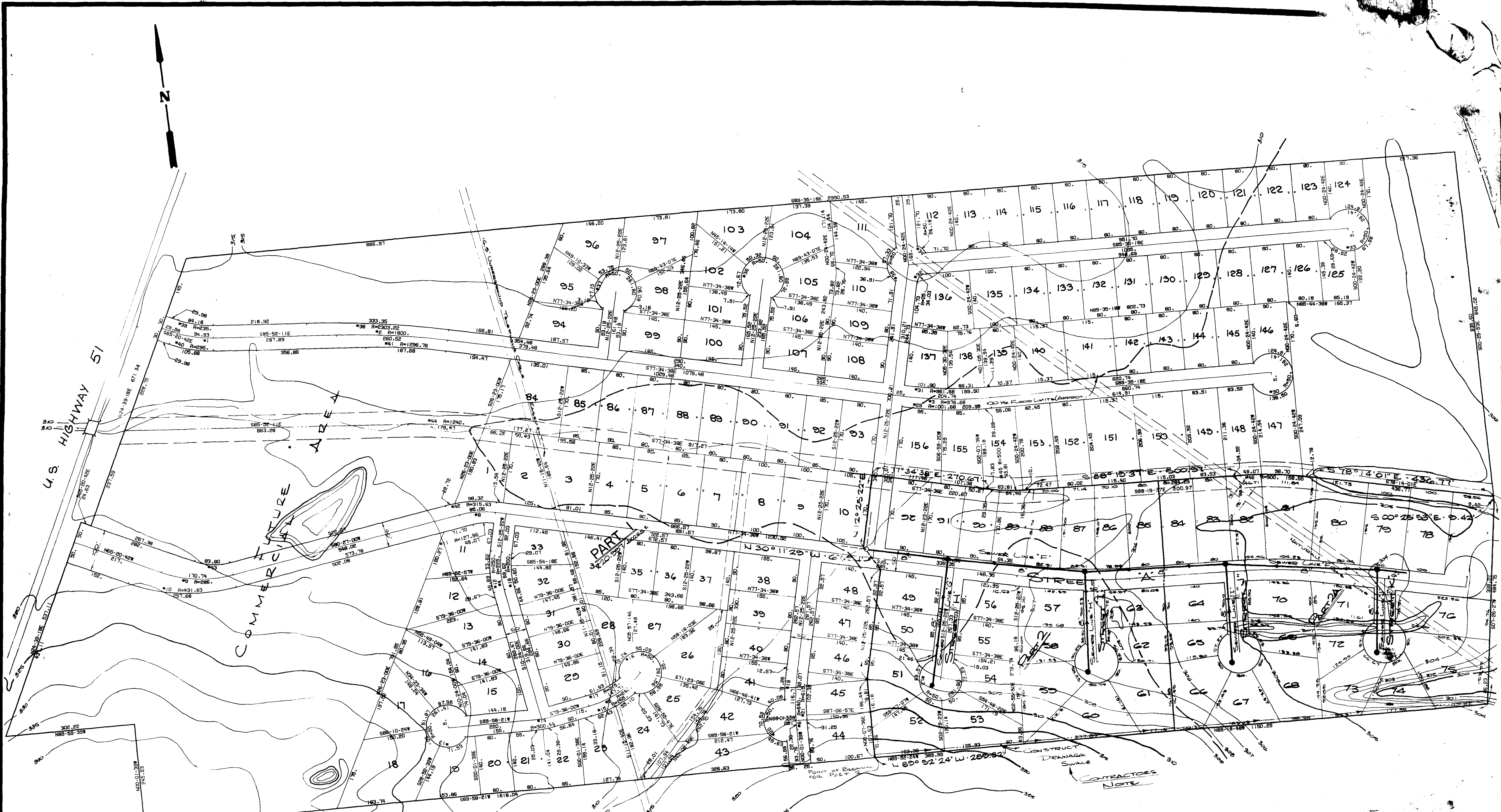
A development by:  
Harkins & Harkins  
5760 I-55 North  
Jackson, MS 39211

Case & Associates, Inc.  
Continental Consultants, Inc.

July , 1983

REVISED 6-13-80

PWP-00205

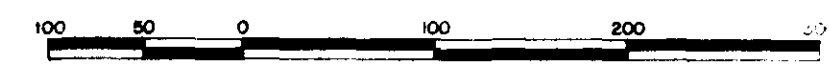


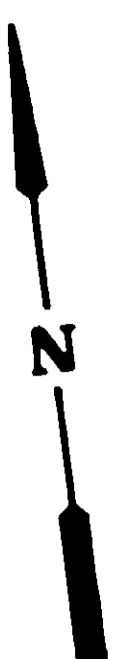
BEAVER CREEK SUBDIVISION

SANITARY SEWER LAYOUT

NOTE: ALL CONTOURS SHOWN ARE ON M. S. L. DATUM  
 FRONT SETBACK DISTANCES ARE A MIN. OF 25'. LEAN SETBACK DISTANCES ARE A MIN. OF 25' AND SIDE SETBACK DISTANCES ARE A MIN. OF 7.5'.

CASE and ASSOCIATES, INC.  
 Registered Land Surveyors  
 Jackson, Miss. Scale 1"=100' JULY, 1983





U.S. HIGHWAY 51

COMMERCIAL AREA

PART 3420-24

# BEAVER CREEK SUBDIVISION

## WATER LAYOUT

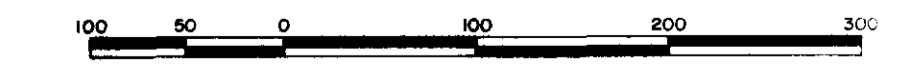


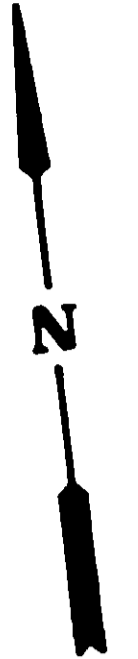
NOTE: ALL CONTOURS SHOWN ARE ON M. S. L. DATUM

FRONT SETBACK DISTANCES ARE A MIN. OF 25', REAR SETBACK DISTANCES ARE A MIN. OF 25' AND SIDE SETBACK DISTANCES ARE A MIN. OF 7.5'

CONTRACTORS NOTE:  
CONSTRUCT DRAINAGE SWALE

CASE and ASSOCIATES, INC.  
Registered Land Surveyors  
Jackson, Miss. Scale 1"=100' July, 1983





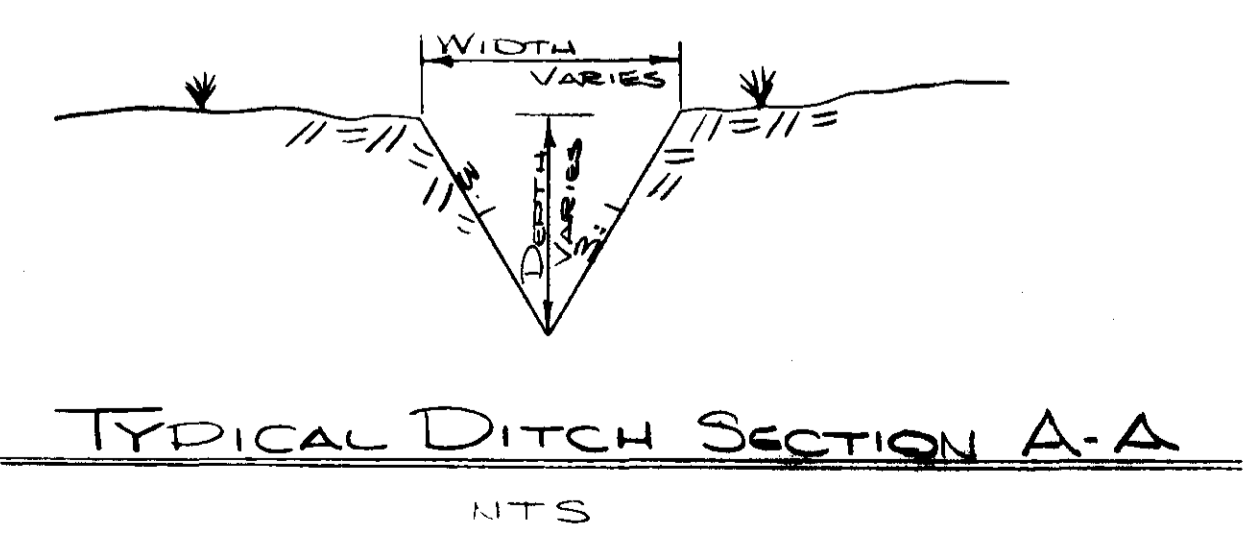
U.S. HIGHWAY 51

COMMERCIAL AREA

PROPOSED BORROW AREA

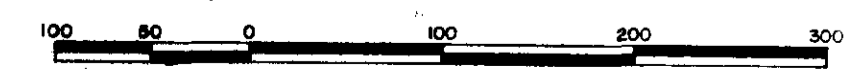
PROPOSED BORROW AREA

- IBM 8 - ELEV 307.58 (M.S.L. DATUM) - TOP OF IRON BAR 75' NORTH & 40' WEST OF THE SE CORNER OF LOT 10
- IBM 10 - ELEV 303.50 (M.S.L. DATUM) - TOP OF IRON BAR 55' SOUTH & 5' WEST OF THE NE CORNER OF LOT 75
- IBM 11 - ELEV 304.43 (M.S.L. DATUM) - TOP OF IRON BAR 30' SOUTH & 10' WEST OF THE NE CORNER OF SUBDIVISION

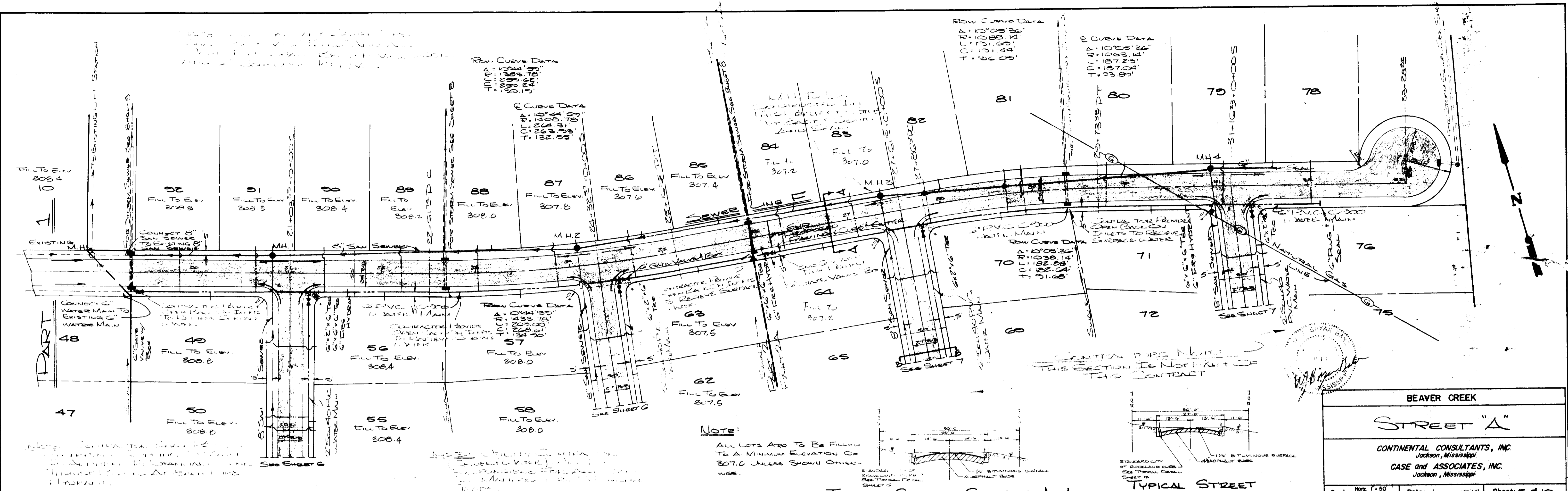


BEAVER CREEK SUBDIVISION  
DRAINAGE AND GEOMETRIC  
LAYOUT

CASE and ASSOCIATES, INC.  
Registered Land Surveyors  
Jackson, Miss. Scale 1"=100' JULY, 1983



DATE: \_\_\_\_\_ BY: \_\_\_\_\_  
 DRAWN BY: \_\_\_\_\_  
 CHECKED BY: \_\_\_\_\_  
 PLAN NO. \_\_\_\_\_  
 NOTE BOOK NO. \_\_\_\_\_



TYPICAL STREET SECTION A-A  
 TYPICAL STREET SECTION B-B

BEAVER CREEK

**STREET "A"**

CONTINENTAL CONSULTANTS, INC.  
 Jackson, Mississippi

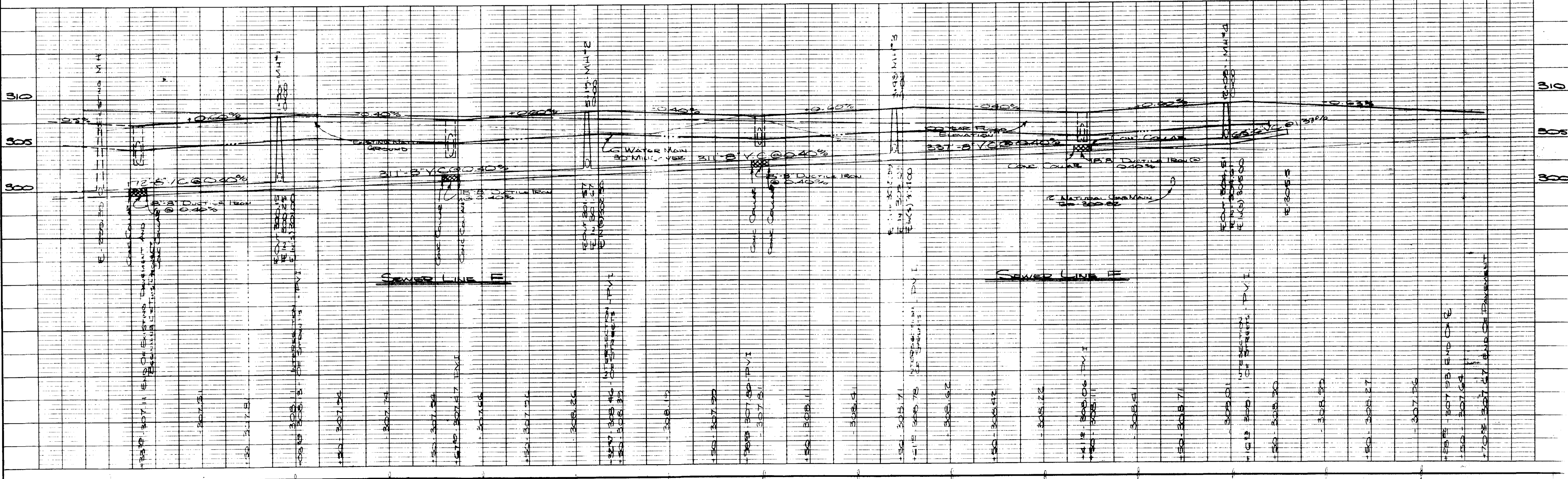
CASE and ASSOCIATES, INC.  
 Jackson, Mississippi

Scale: Horiz. 1"=50'  
 Vert. 1"=5'

Date: July 1983

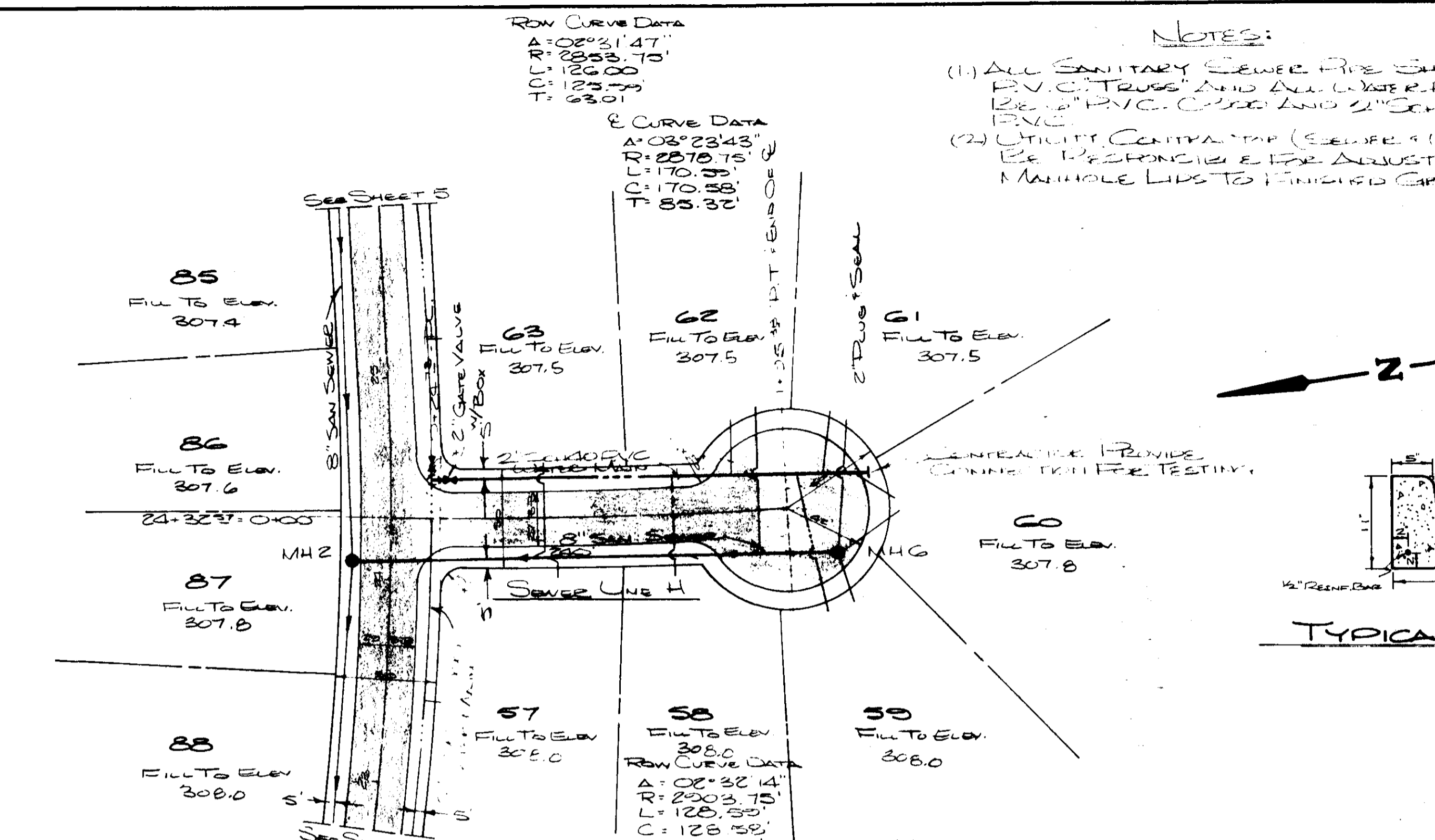
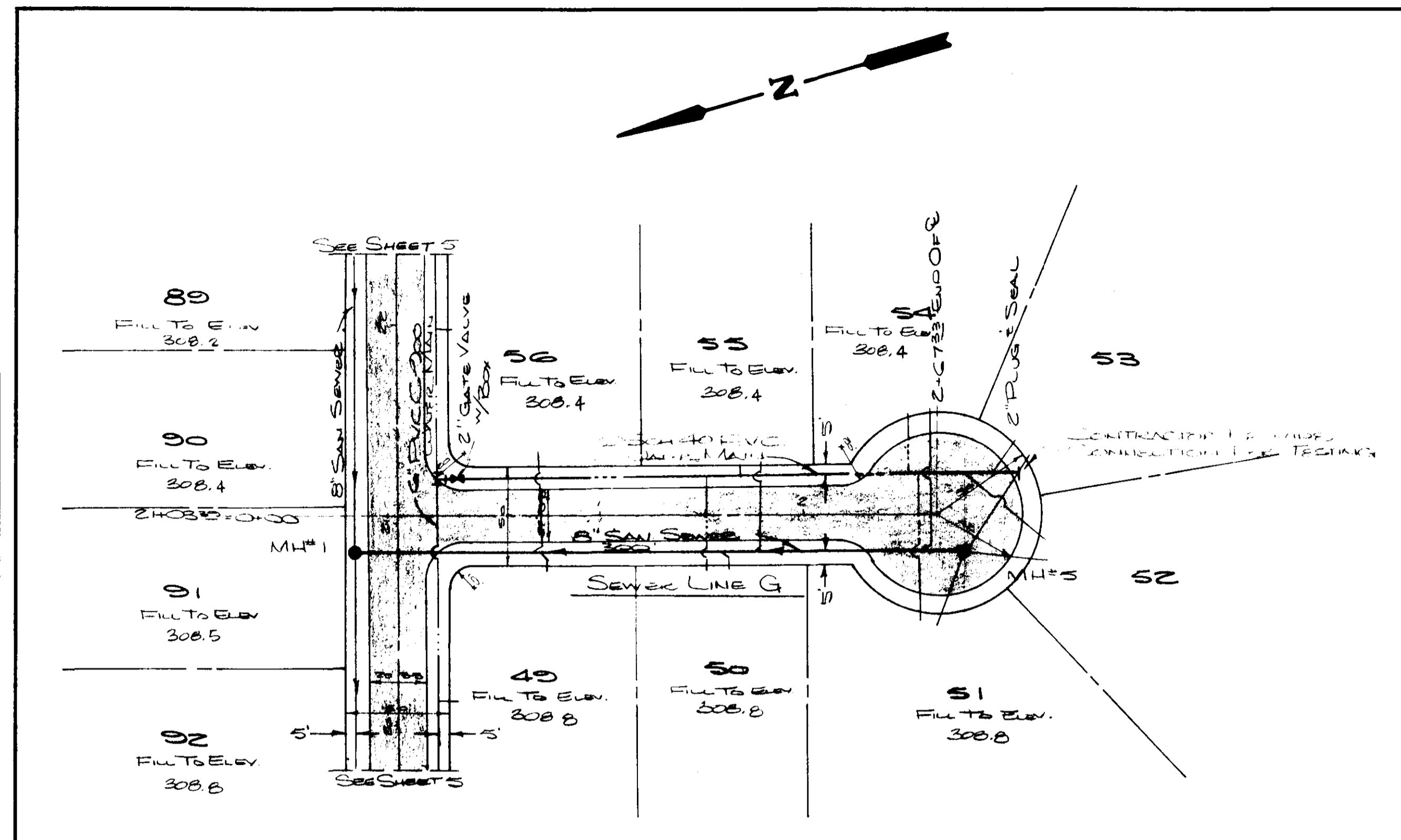
Sheet: 5 of 10

DATE: \_\_\_\_\_ BY: \_\_\_\_\_  
 DRAWN BY: \_\_\_\_\_  
 CHECKED BY: \_\_\_\_\_  
 PROFILE NO. \_\_\_\_\_  
 NOTE BOOK NO. \_\_\_\_\_



DATE: \_\_\_\_\_  
 BY: \_\_\_\_\_  
 CHECKED: \_\_\_\_\_  
 NO. \_\_\_\_\_

DATE: \_\_\_\_\_  
 BY: \_\_\_\_\_  
 CHECKED: \_\_\_\_\_  
 NO. \_\_\_\_\_

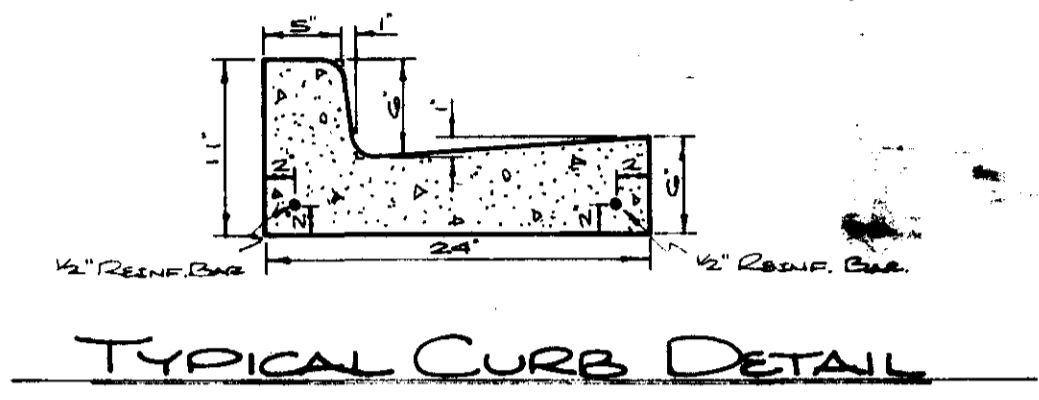


ROW CURVE DATA  
 A: 02° 21' 47"  
 R: 2253.70'  
 L: 126.00'  
 T: 125.55'  
 63.01'

E CURVE DATA  
 A: 02° 23' 43"  
 R: 2270.75'  
 L: 170.55'  
 T: 170.55'  
 80.32'

ROW CURVE DATA  
 A: 02° 32' 14"  
 R: 2003.75'  
 L: 128.35'  
 T: 128.35'  
 64.30'

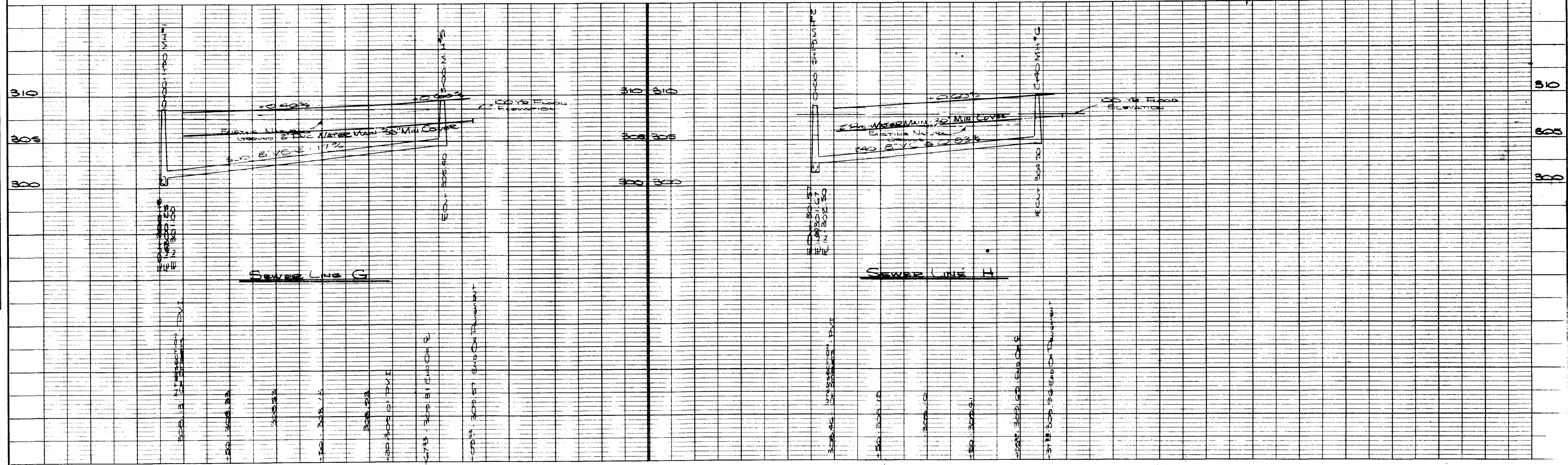
NOTES:  
 (1) ALL SANITARY SEWER PIPE SHALL BE P.V.C. TRUSS AND ALL LIDS SHALL BE 12" P.V.C. COVERS AND 2" SCHEDULE 40 P.V.C.  
 (2) UTILITY CENTRAL TOP (SEE REF. 1) WILL BE RESPONSIBLE FOR ADJUSTING ALL MANHOLE LIDS TO FINISHED GRADE.



NOTE:  
 ALL LOTS ARE TO BE FILLED TO A MINIMUM ELEVATION OF 307.0 UNLESS SHOWN OTHERWISE.

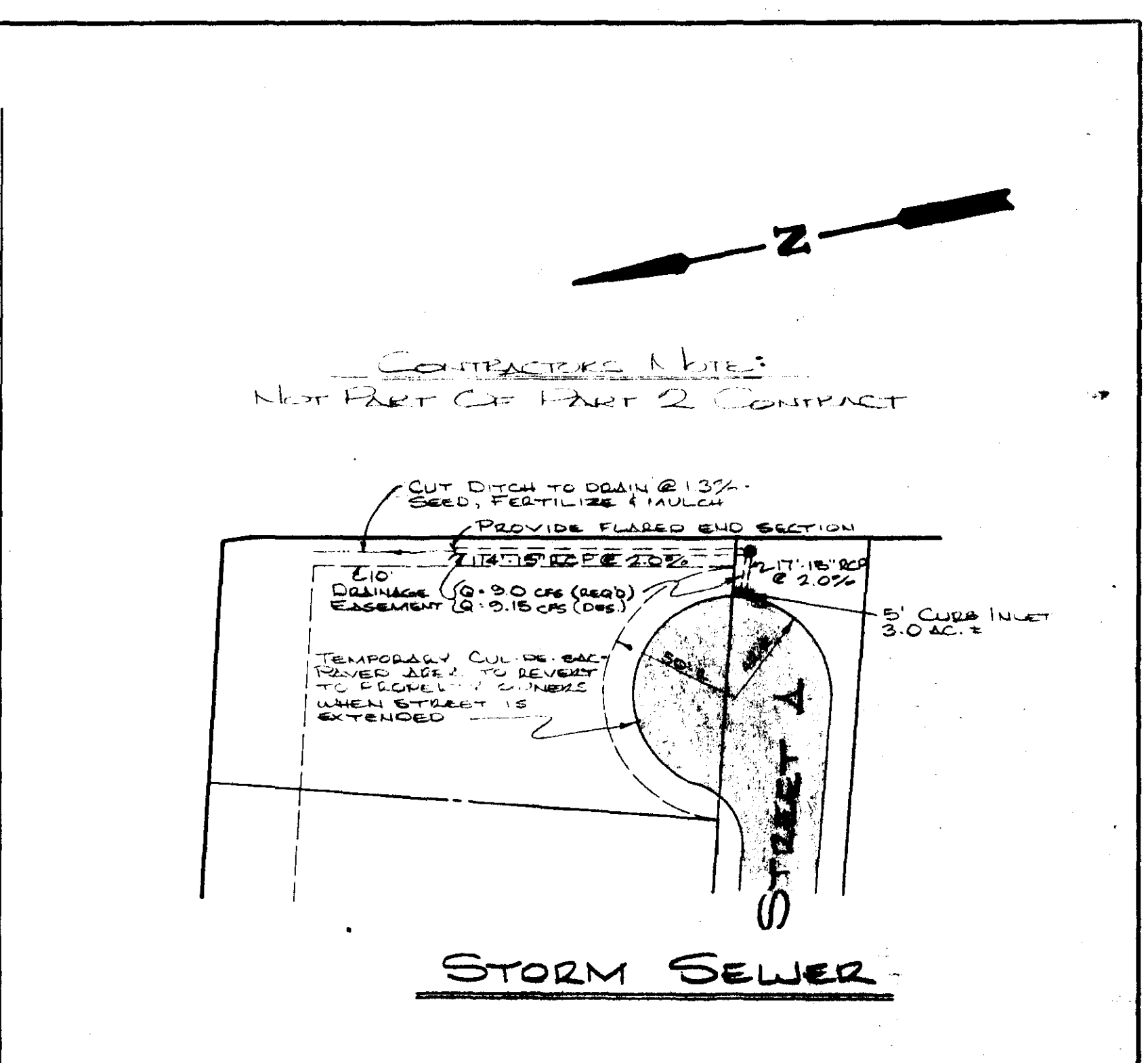
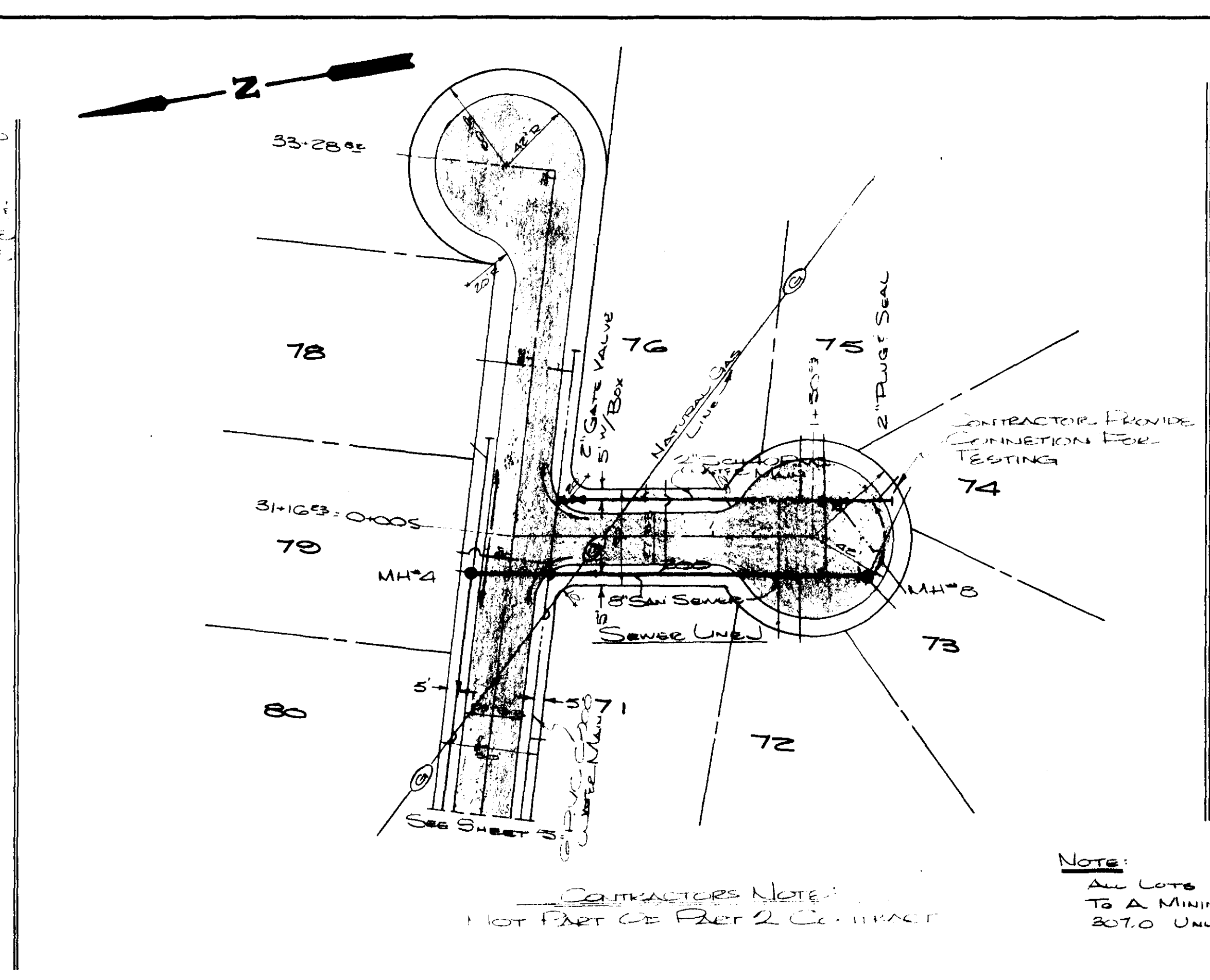
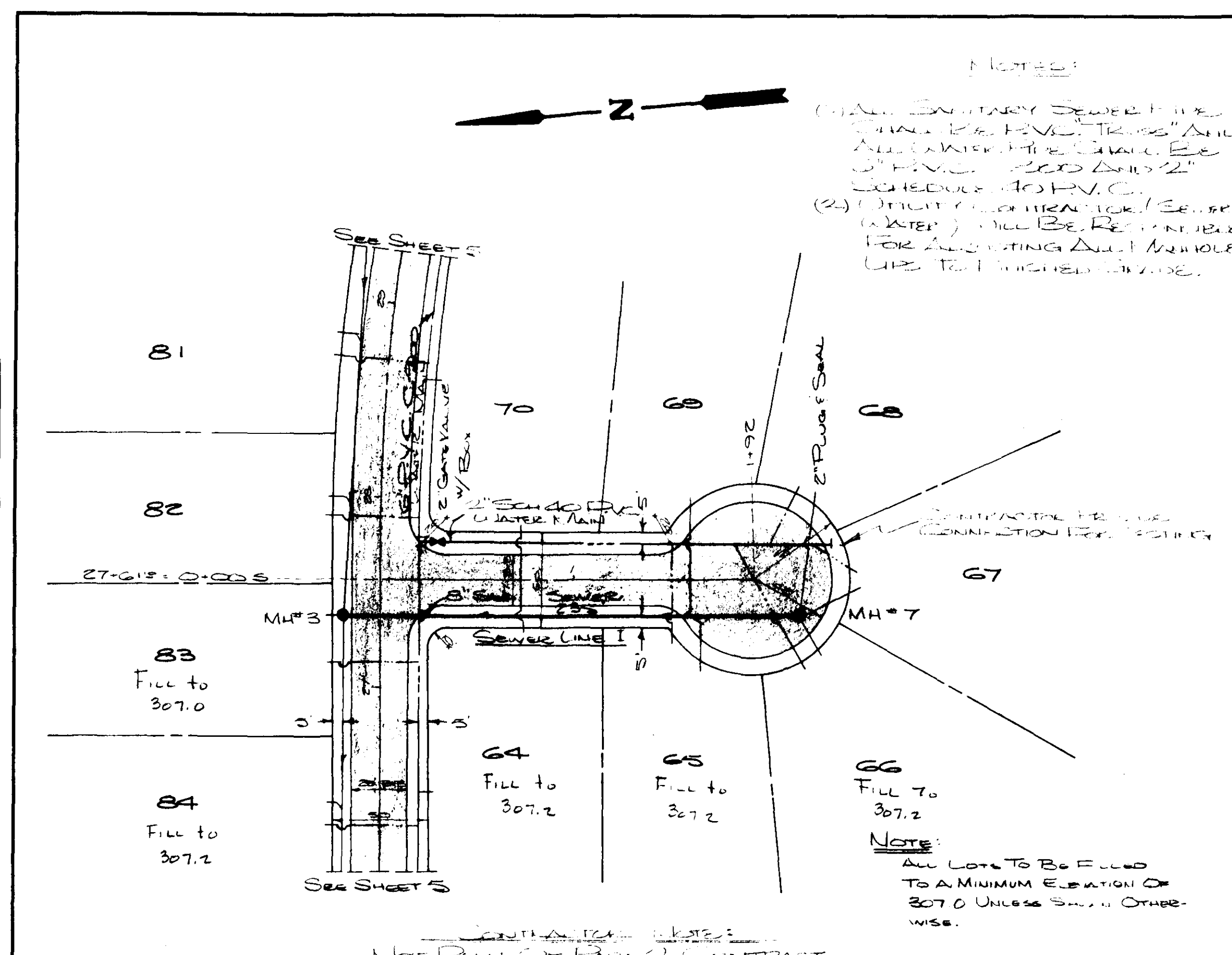
NOTE:  
 ALL LOTS ARE TO BE FILLED TO A MINIMUM ELEVATION OF 307.0 UNLESS SHOWN OTHERWISE.

BEAVER CREEK		
STREET H AND STREET I		
CONTINENTAL CONSULTANTS, INC. Jackson, Mississippi		
CASE and ASSOCIATES, INC. Jackson, Mississippi		
Scale: Horiz. 1"=50'	Date: July, 1983	Sheet: 6 of 10



DATE  
BY  
DRAWN BY  
CHECKED BY  
DATE  
BY  
DRAWN BY  
CHECKED BY

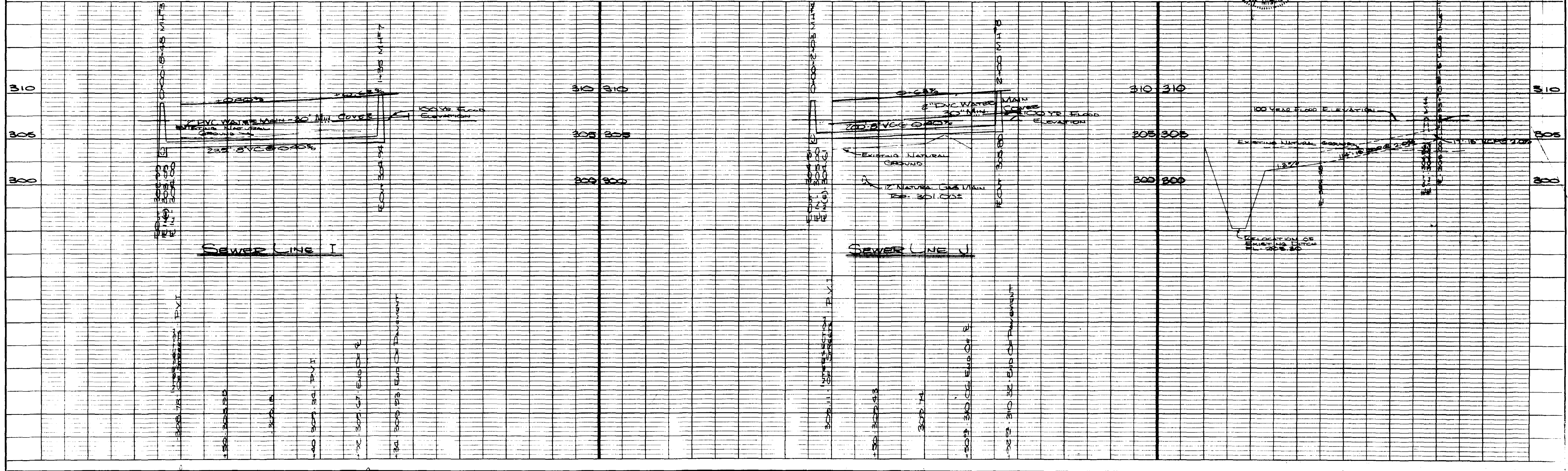
DATE  
BY  
DRAWN BY  
CHECKED BY  
DATE  
BY  
DRAWN BY  
CHECKED BY



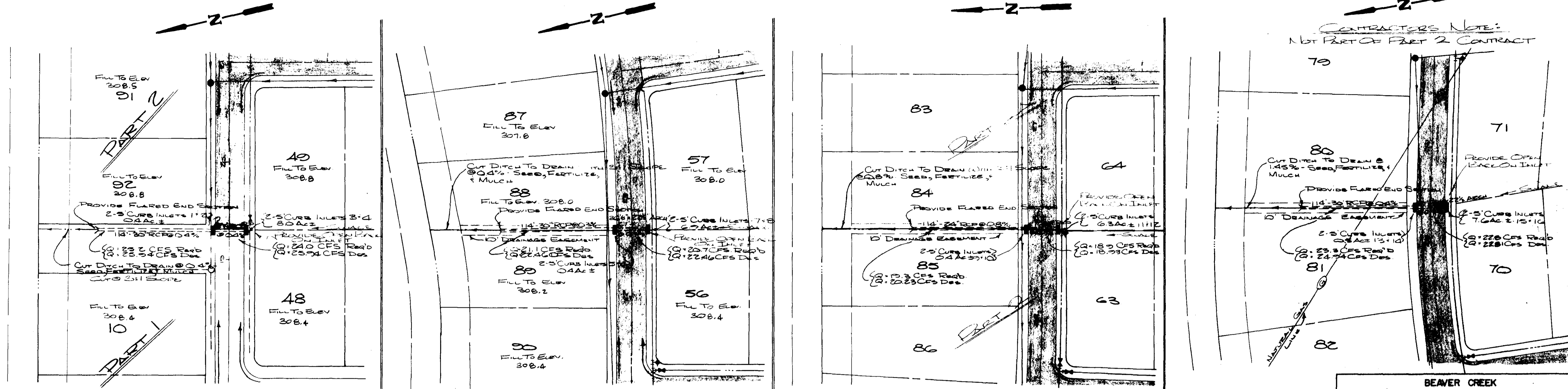
NOTE:  
All Lots To Be Filled To A Minimum Elevation Of 307.0 Unless Shown Otherwise.

NOTE:  
All Lots Are To Be Filled To A Minimum Elevation Of 307.0 Unless Shown Otherwise.

**BEAVER CREEK**  
**STREET J AND STREET K**  
CONTINENTAL CONSULTANTS, INC.  
Jackson, Mississippi  
CASE and ASSOCIATES, INC.  
Jackson, Mississippi  
Scale: Horiz. 1" = 50'  
Vert. 1" = 5'  
Date: JULY, 1983  
Sheet: 7 of 10



DATE: \_\_\_\_\_  
 BY: \_\_\_\_\_  
 CHECKED: \_\_\_\_\_  
 NO. OF WAY CHECKED: \_\_\_\_\_  
**PLAN**  
 SURVEYED: \_\_\_\_\_  
 NOTE BOOK: \_\_\_\_\_  
 NO.: \_\_\_\_\_



**CONTRACTORS NOTE:**  
 NOT PART OF PART 2 CONTRACT

**NOTE:**  
 ALL LOTS ARE TO BE FILLED  
 TO A MINIMUM ELEVATION OF 307.4  
 UNLESS SHOWN OTHERWISE.



**BEAVER CREEK**

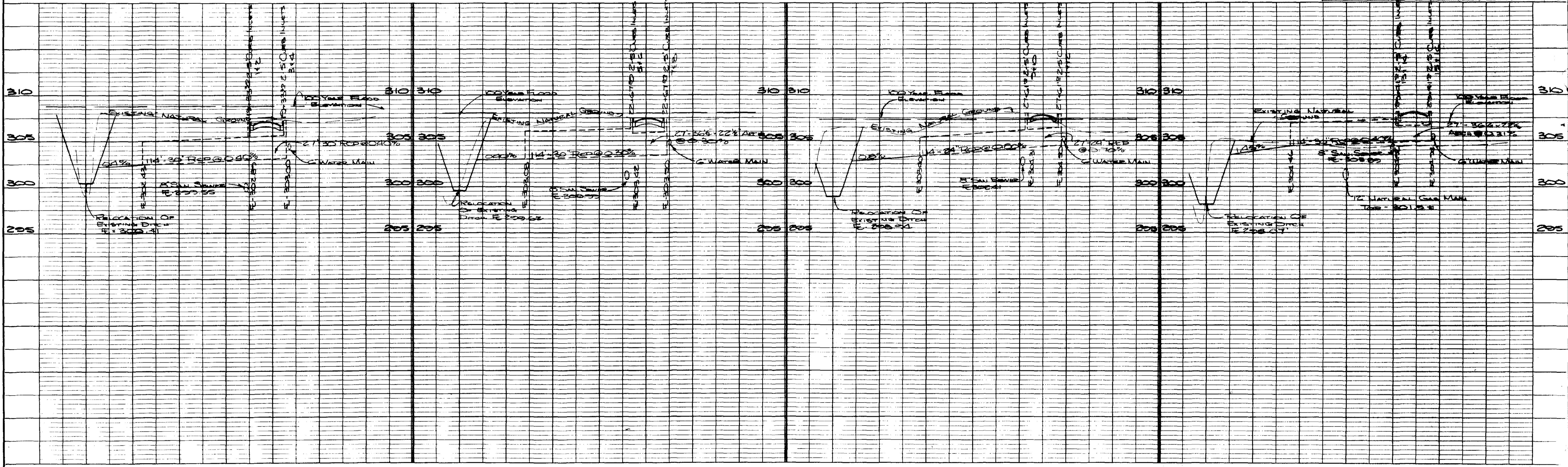
**STORM SEWER**

CONTINENTAL CONSULTANTS, INC.  
 Jackson, Mississippi

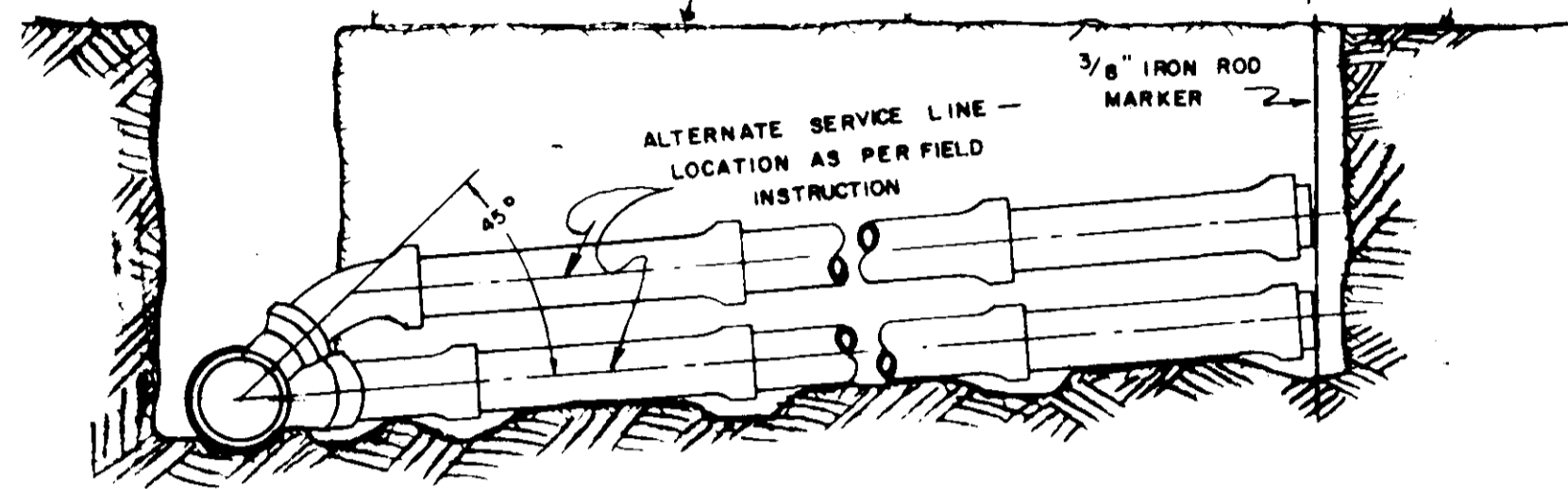
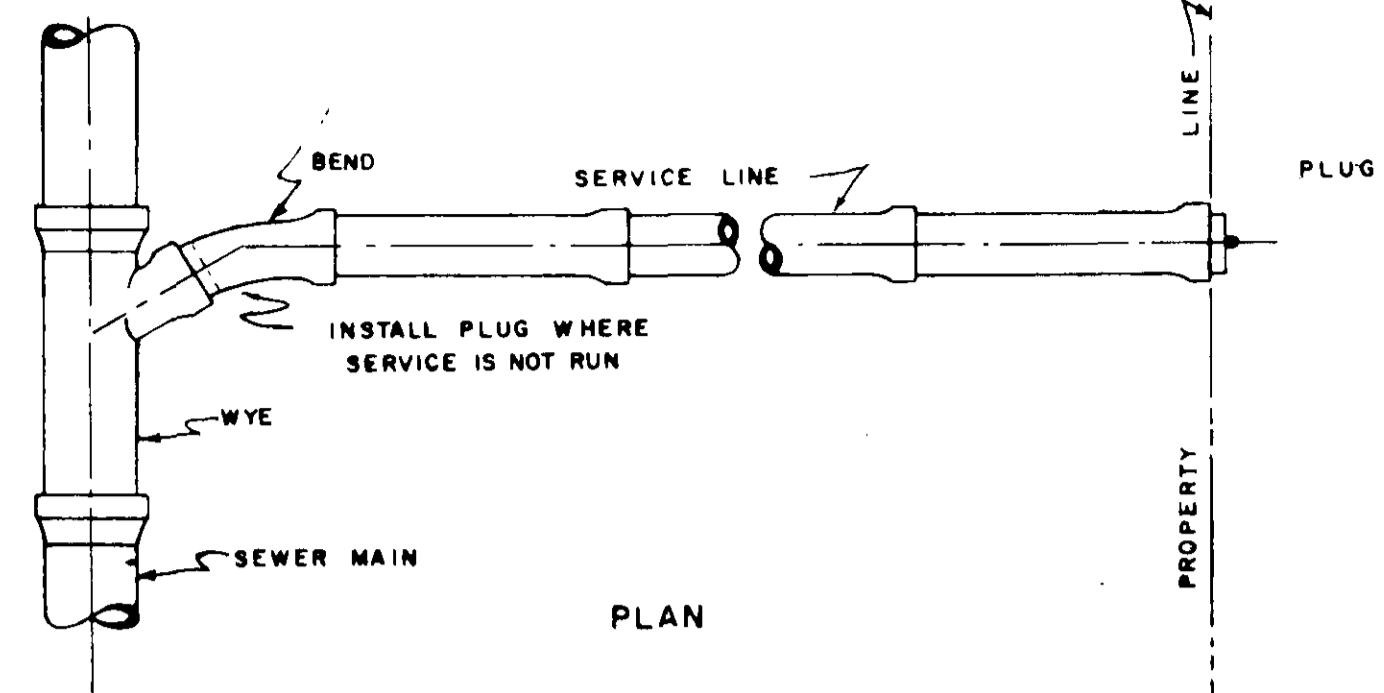
CASE and ASSOCIATES, INC.  
 Jackson, Mississippi

Scale: Horiz. 1" = 50'  
 Vert. 1" = 5'  
 Date: July, 1983 Sheet 3 of 10

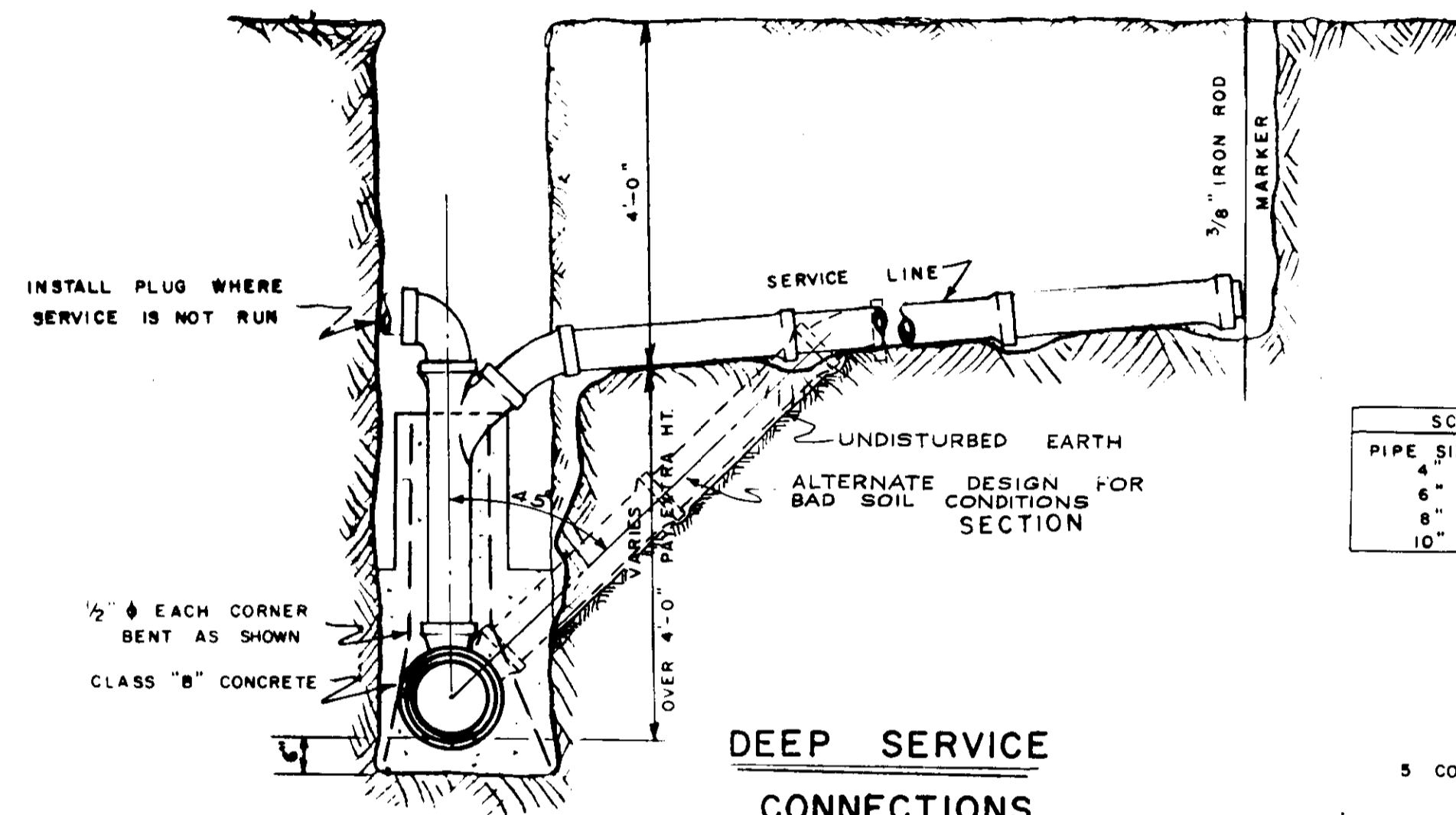
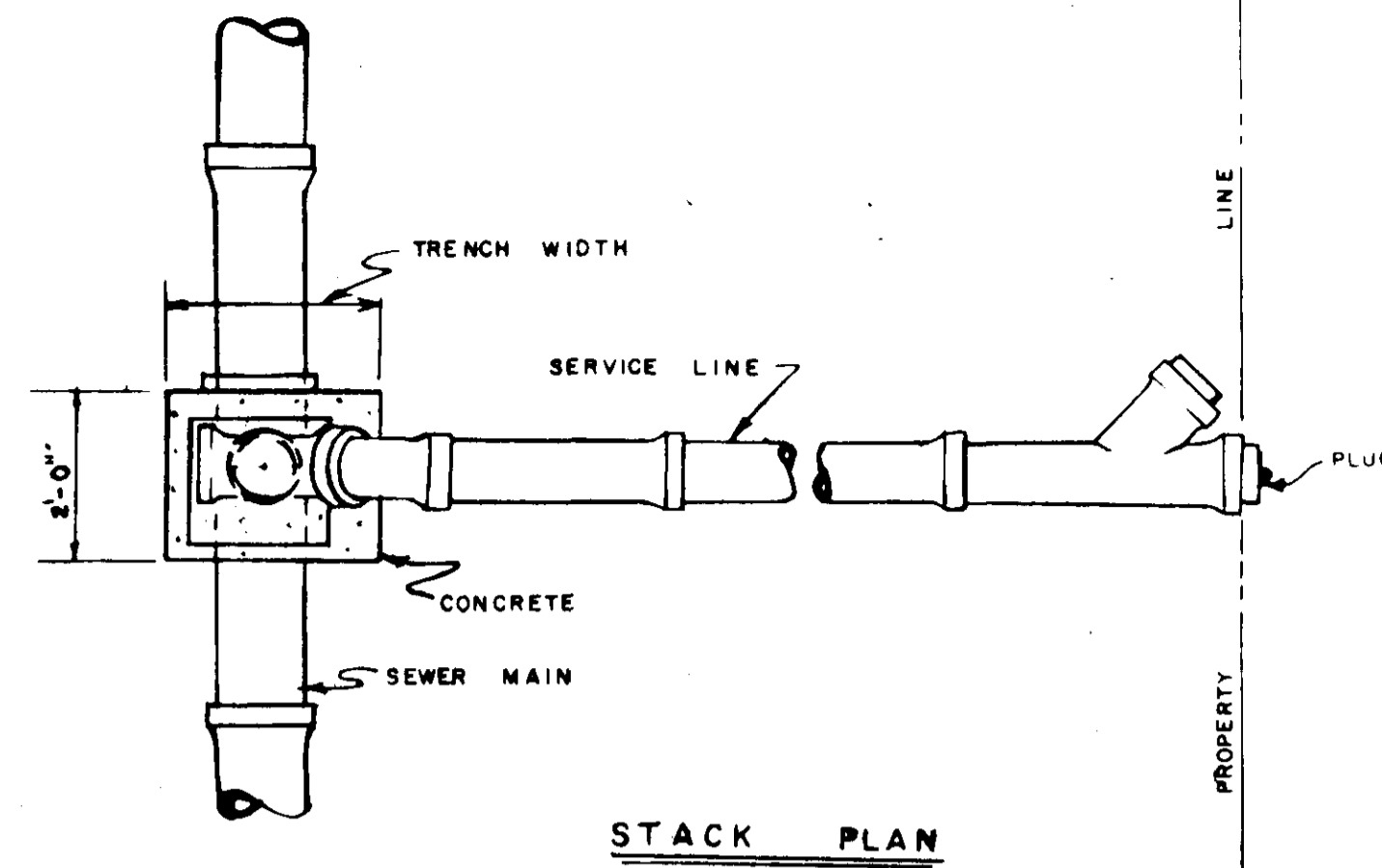
DATE: \_\_\_\_\_  
 BY: \_\_\_\_\_  
 CHECKED: \_\_\_\_\_  
 NO. OF WAY CHECKED: \_\_\_\_\_  
**PROFILE**  
 SURVEYED: \_\_\_\_\_  
 NOTE BOOK: \_\_\_\_\_  
 NO.: \_\_\_\_\_





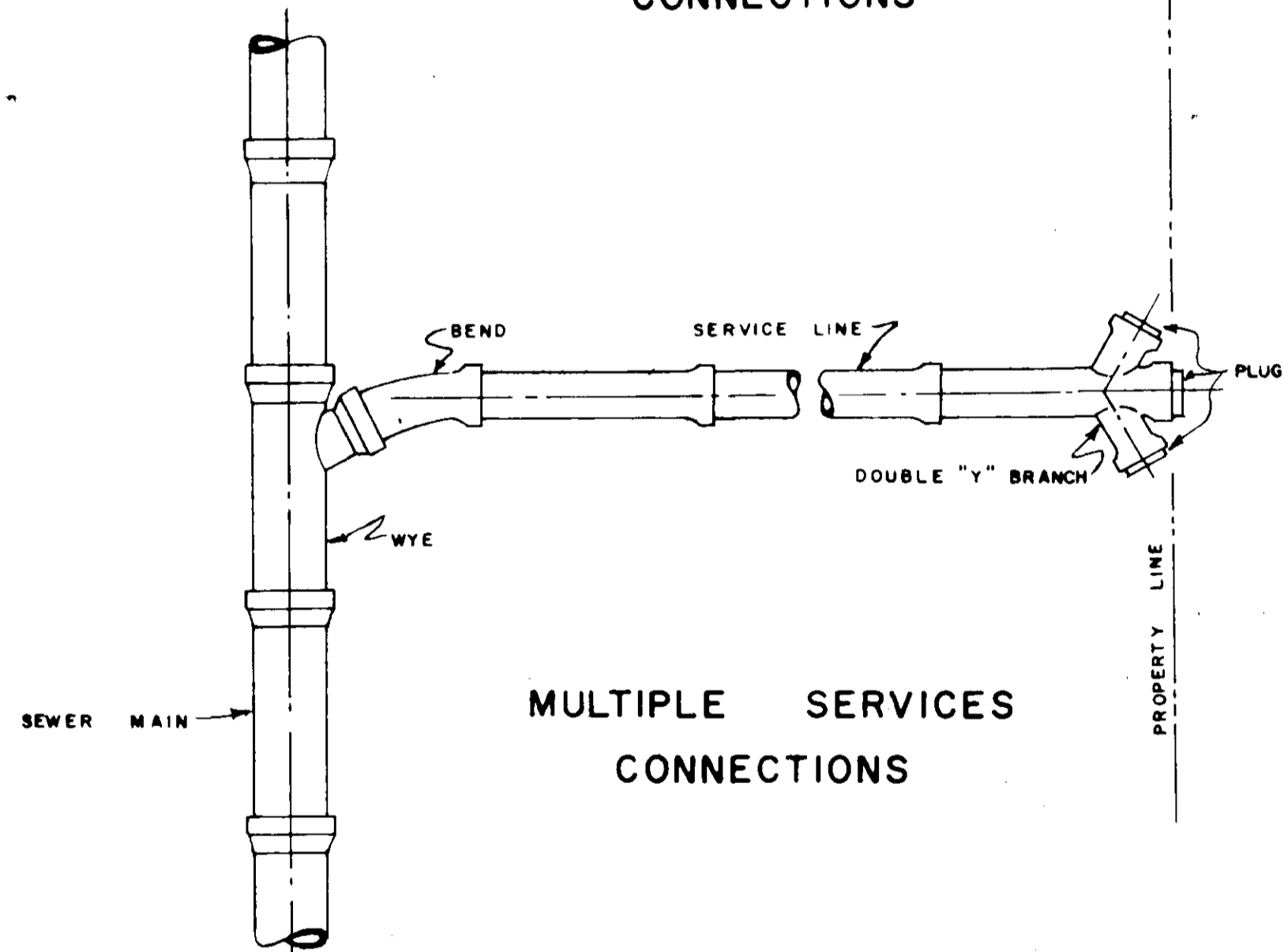


SHALLOW SERVICES CONNECTIONS

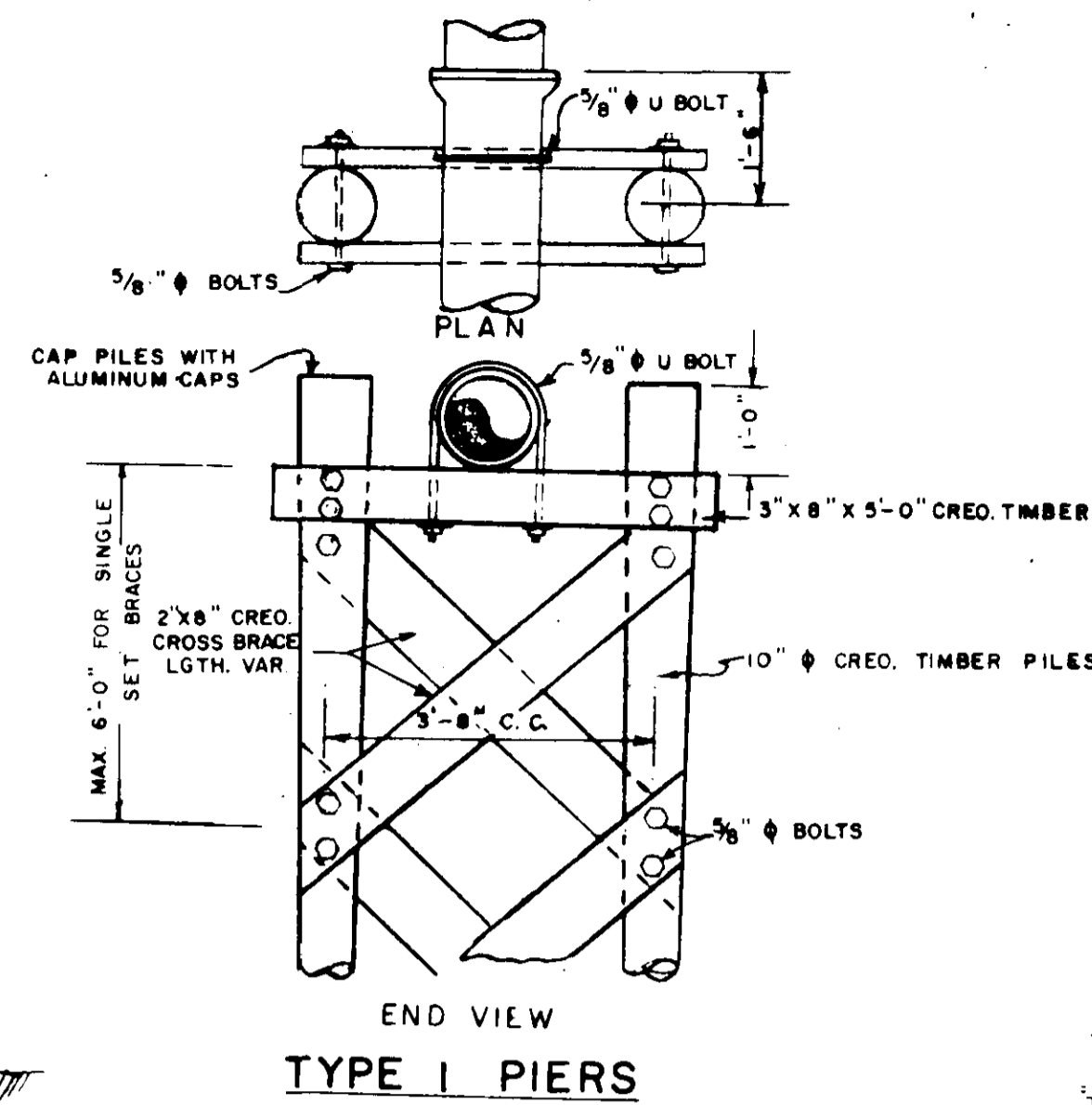


DEEP SERVICE CONNECTIONS

NOTE: APPLIES TO CUTS OVER 8'-0"



MULTIPLE SERVICES CONNECTIONS

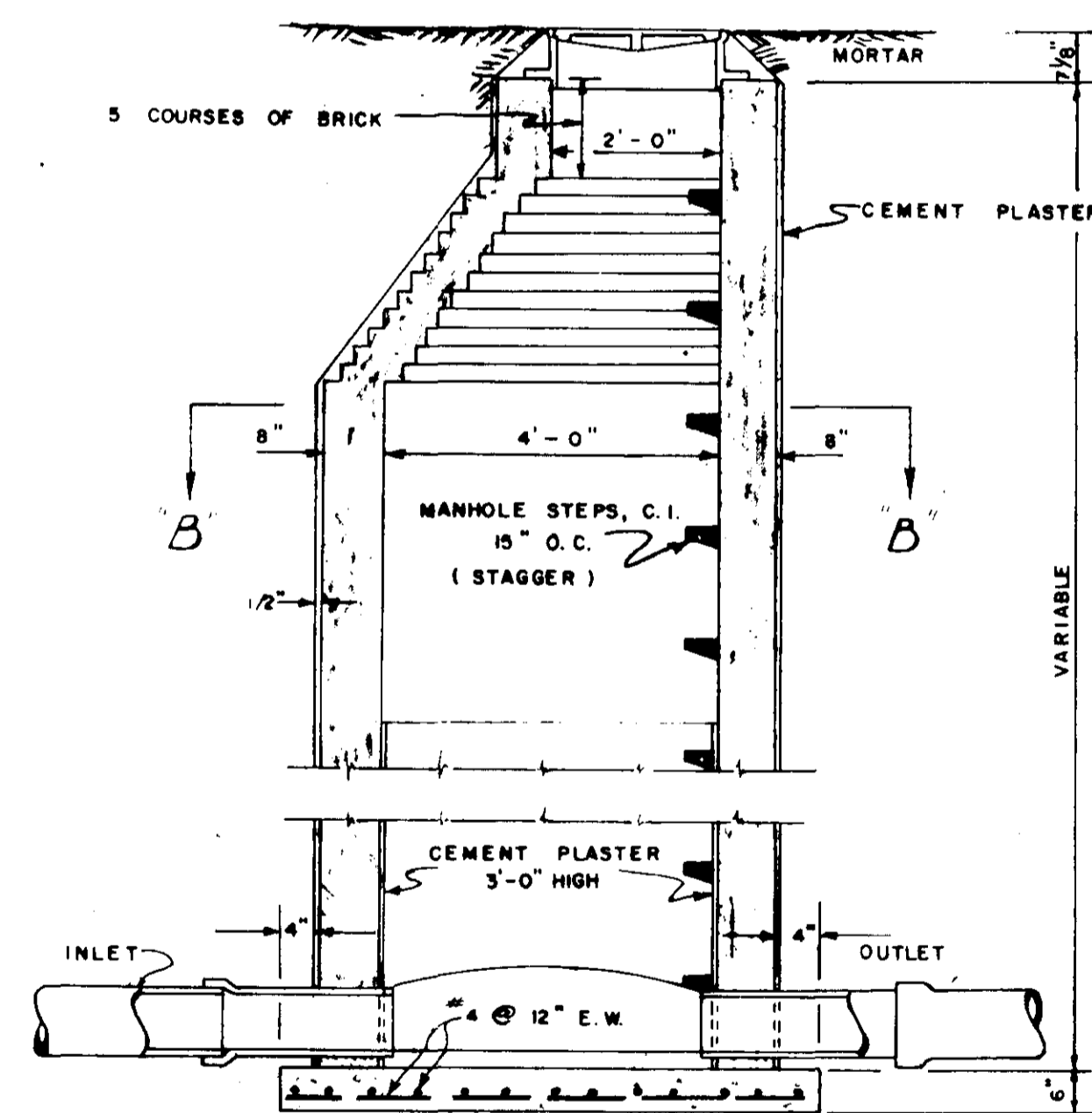


TYPE 1 PIERS

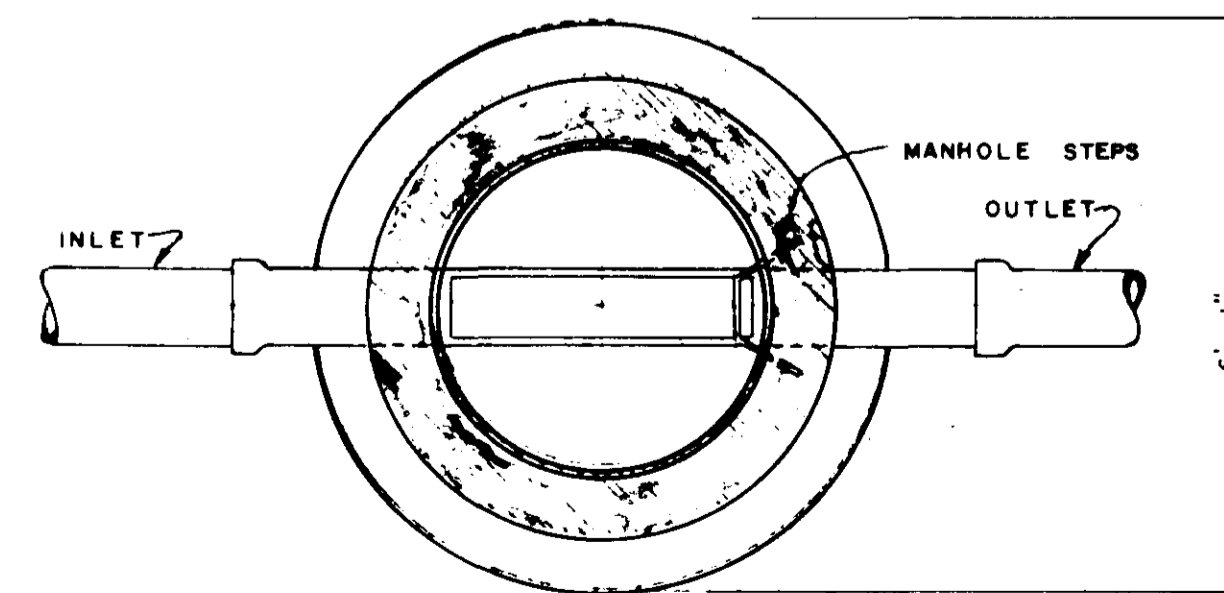
PIPE SIZE	RCP SIZE
4"	8"
6"	12"
8"	15"
10"	18"

TYPE 2 PIER

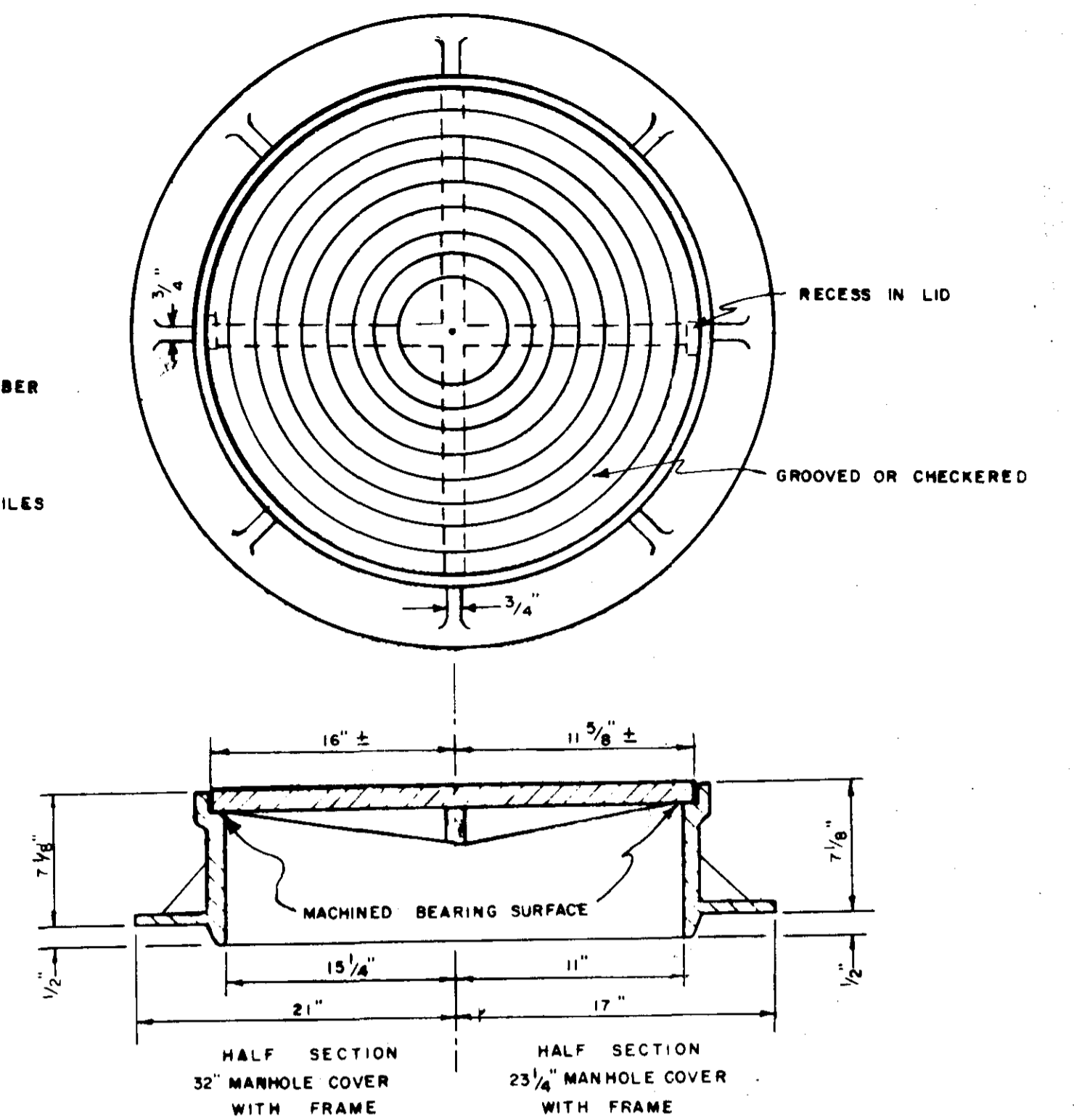
C.I. MANHOLE COVER & FRAME



MANHOLE - SECTION

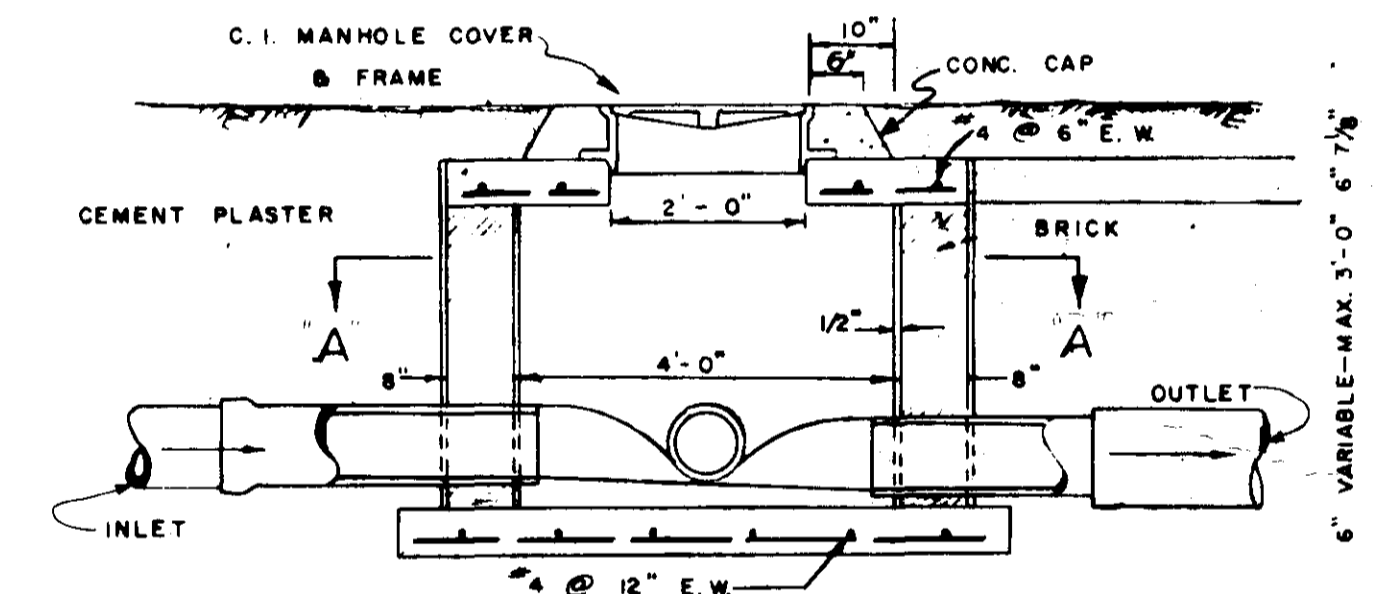


SECTION B-B

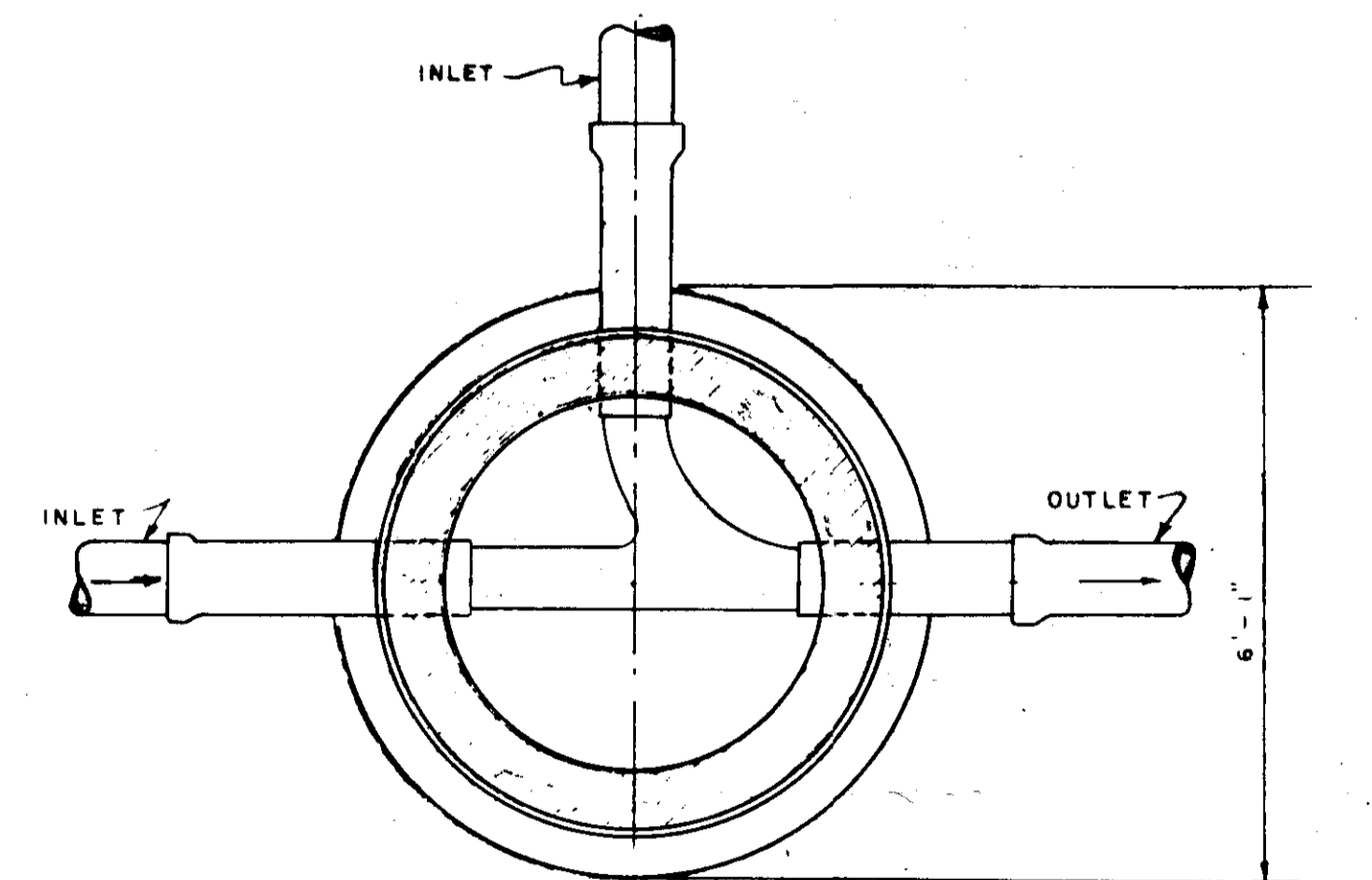


STANDARD MANHOLE FRAME & COVER

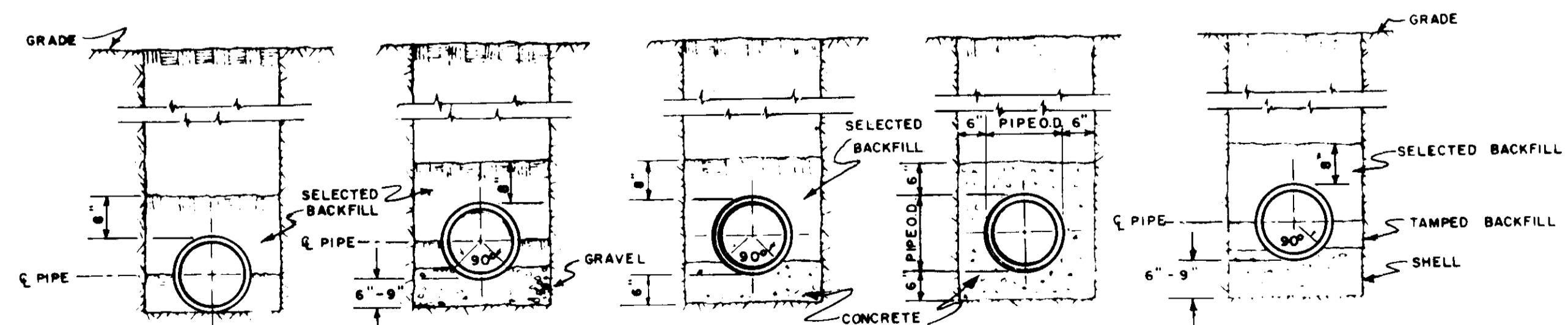
- NOTE:
- 2 1/4" M.H. FRAME AND COVER SHALL WEIGH NOT LESS THAN 360 LBS.
  - 32" M.H. FRAME AND COVER SHALL WEIGH NOT LESS THAN 750 LBS.
  - MATERIAL: CAST IRON A.S.T.M. A-48, CLASS #20



SHALLOW MANHOLE - SECTION



SECTION A-A



TYPICAL TRENCH

GRAVEL SUBGRADE

CONCRETE CRADLE

CONCRETE ENCASMENT

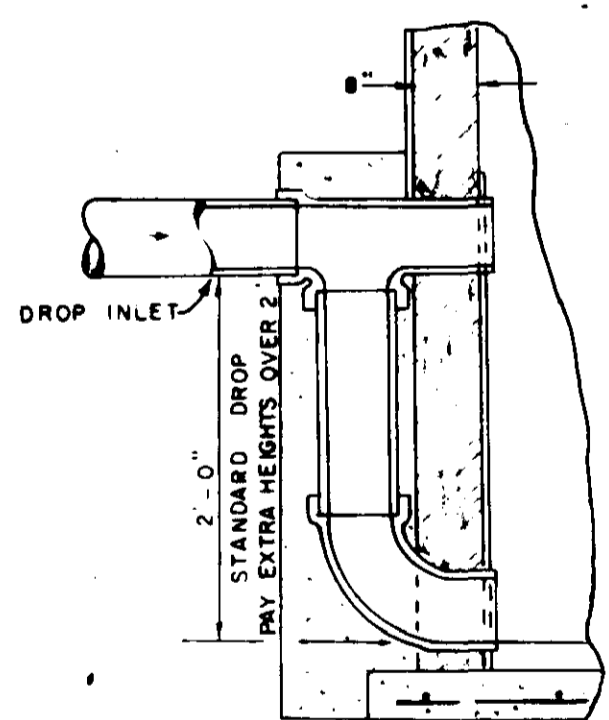
SHELL SUBGRADE

PIPE SIZE	QUANTITY CY/FT.
6"	0.060
8"	0.068
10"	0.076
12"	0.082
15"	0.088
18"	0.124
21"	0.071
24"	0.180

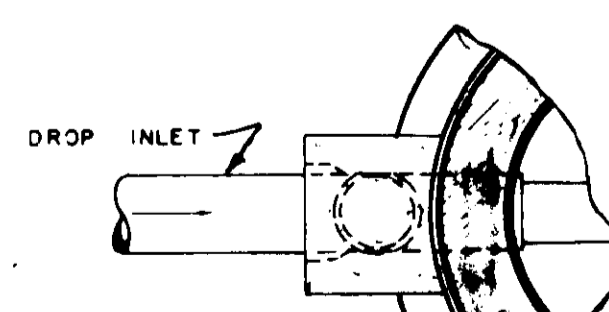
PIPE SIZE	QUANTITY CY/FT.
6"	0.030
8"	0.034
10"	0.038
12"	0.041
15"	0.053
18"	0.062
21"	0.071
24"	0.090

PIPE SIZE	QUANTITY CY/FT.
6"	0.079
8"	0.095
10"	0.112
12"	0.131
15"	0.156
18"	0.189
21"	0.220
24"	0.268

PIPE SIZE	QUANTITY CY/FT.
6"	0.060
8"	0.068
10"	0.076
12"	0.082
15"	0.106
18"	0.124
21"	0.142
24"	0.180



SECTION OF INLET MANHOLE DROP



PLAN OF INLET MANHOLE DROP

SEWER CREEK, PART 2

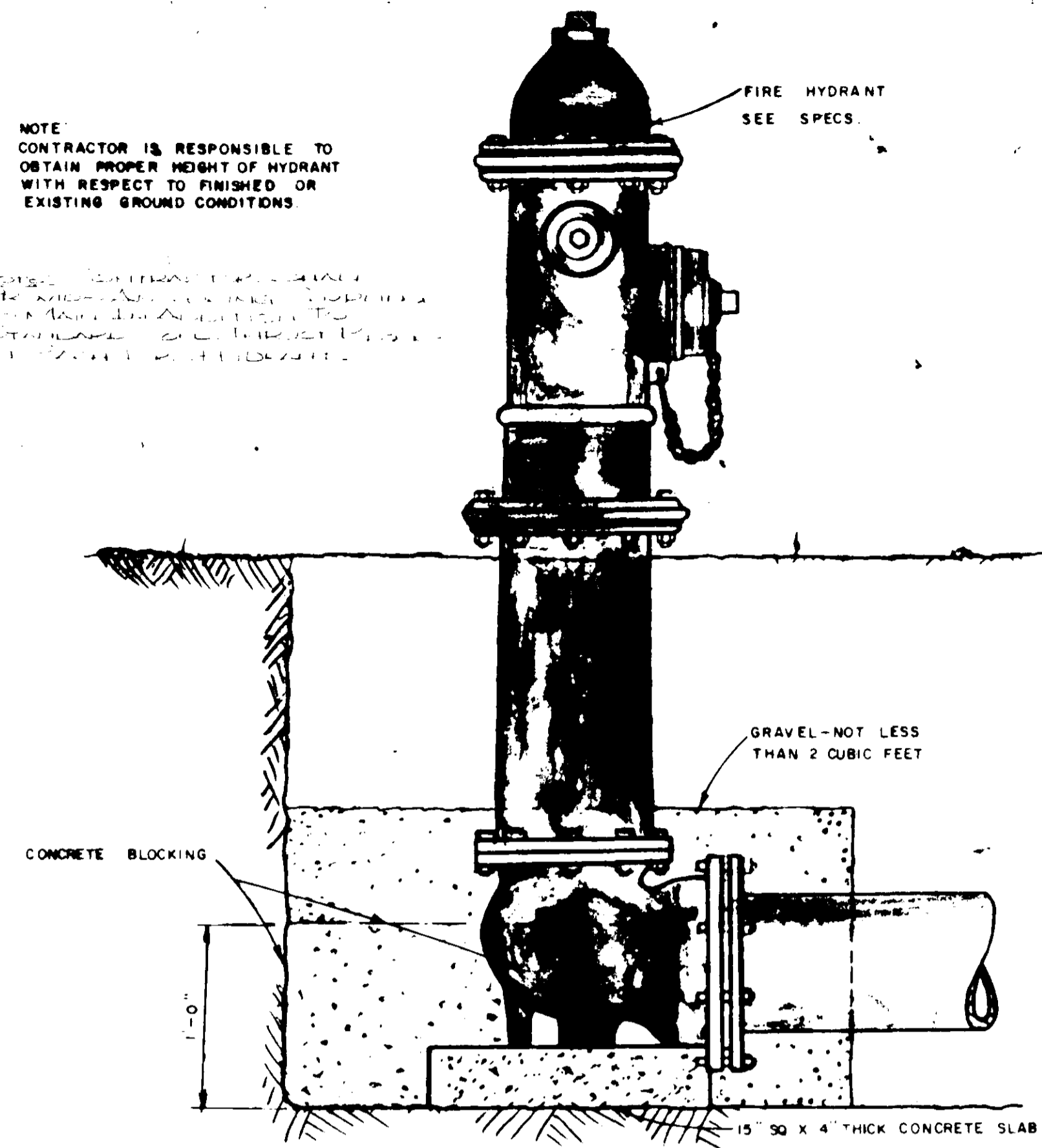
Standard Detail

CONTINENTAL CONSULTANTS, INC.  
JACKSON, MISSISSIPPI

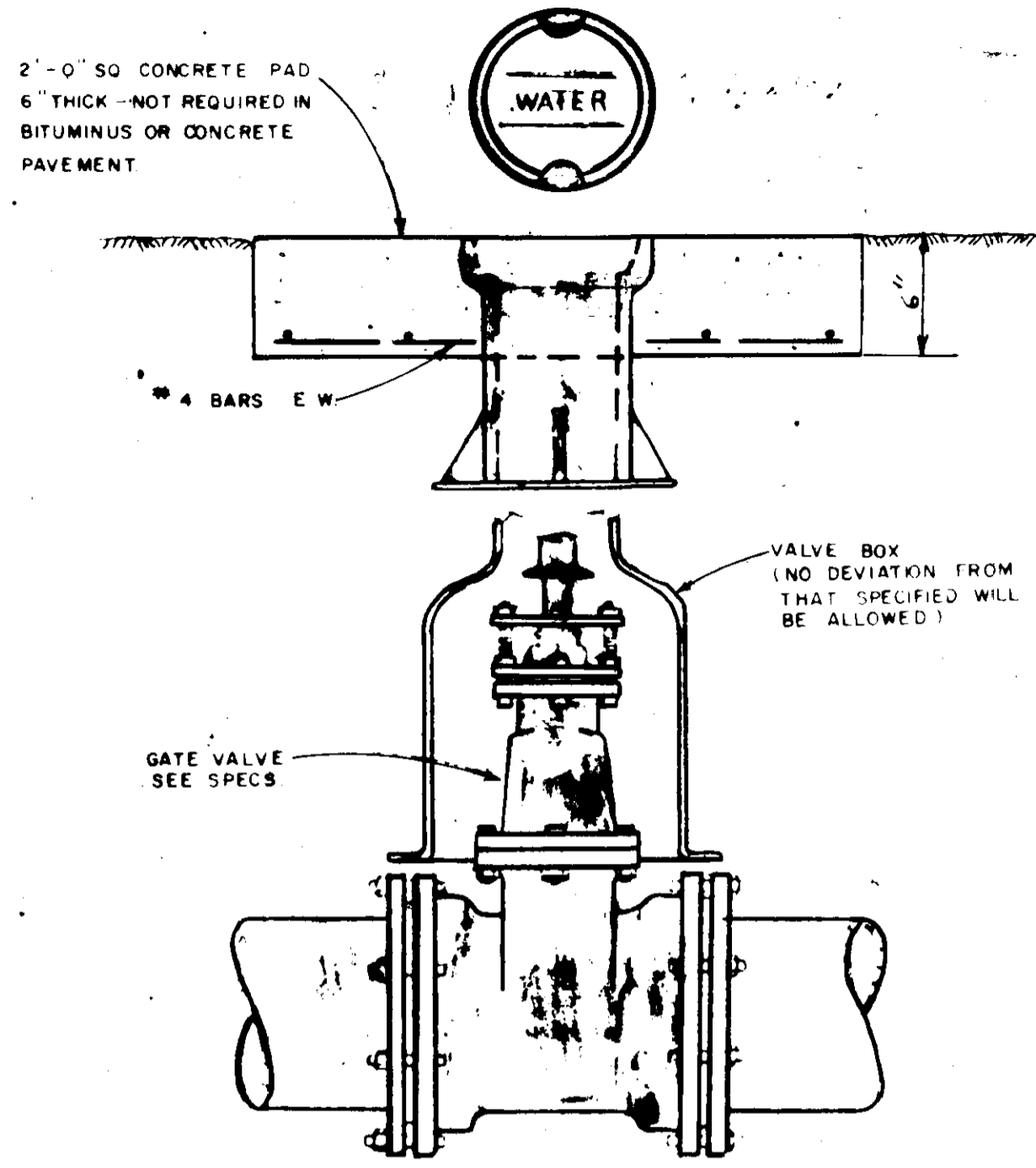
CASE AND ASSOCIATES, INC.  
JACKSON, MISSISSIPPI

SCALE: 1" = 100' DATE: SHEET:

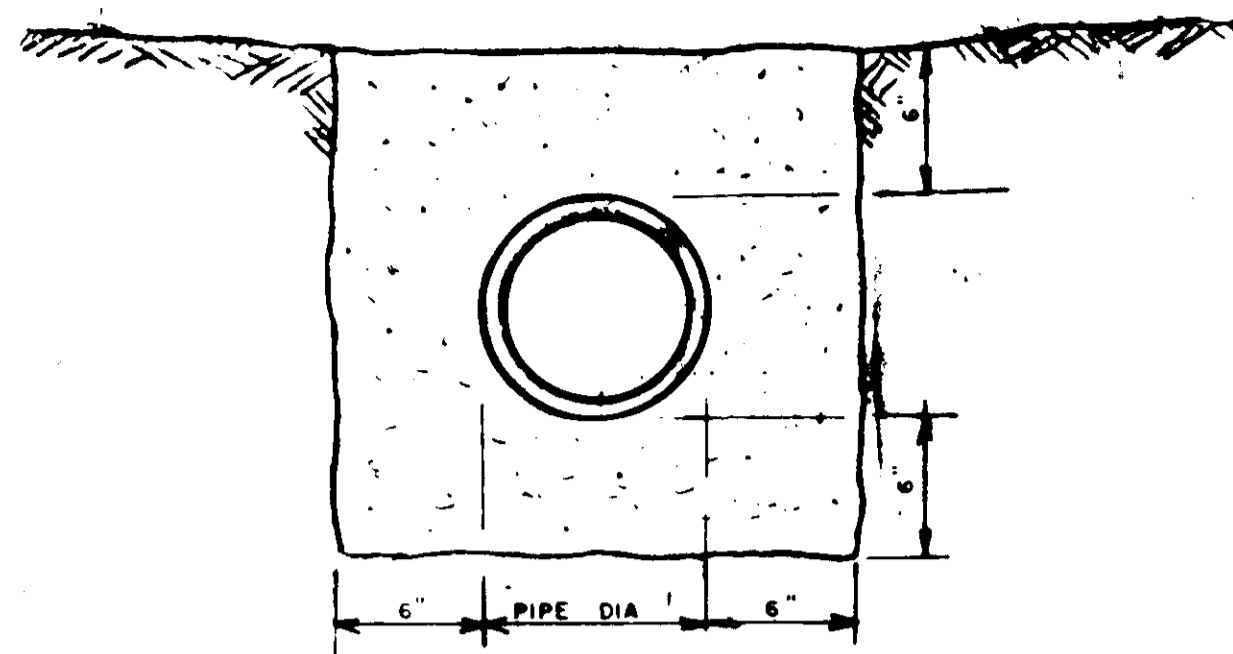
NOTE  
CONTRACTOR IS RESPONSIBLE TO  
OBTAIN PROPER HEIGHT OF HYDRANT  
WITH RESPECT TO FINISHED OR  
EXISTING GROUND CONDITIONS



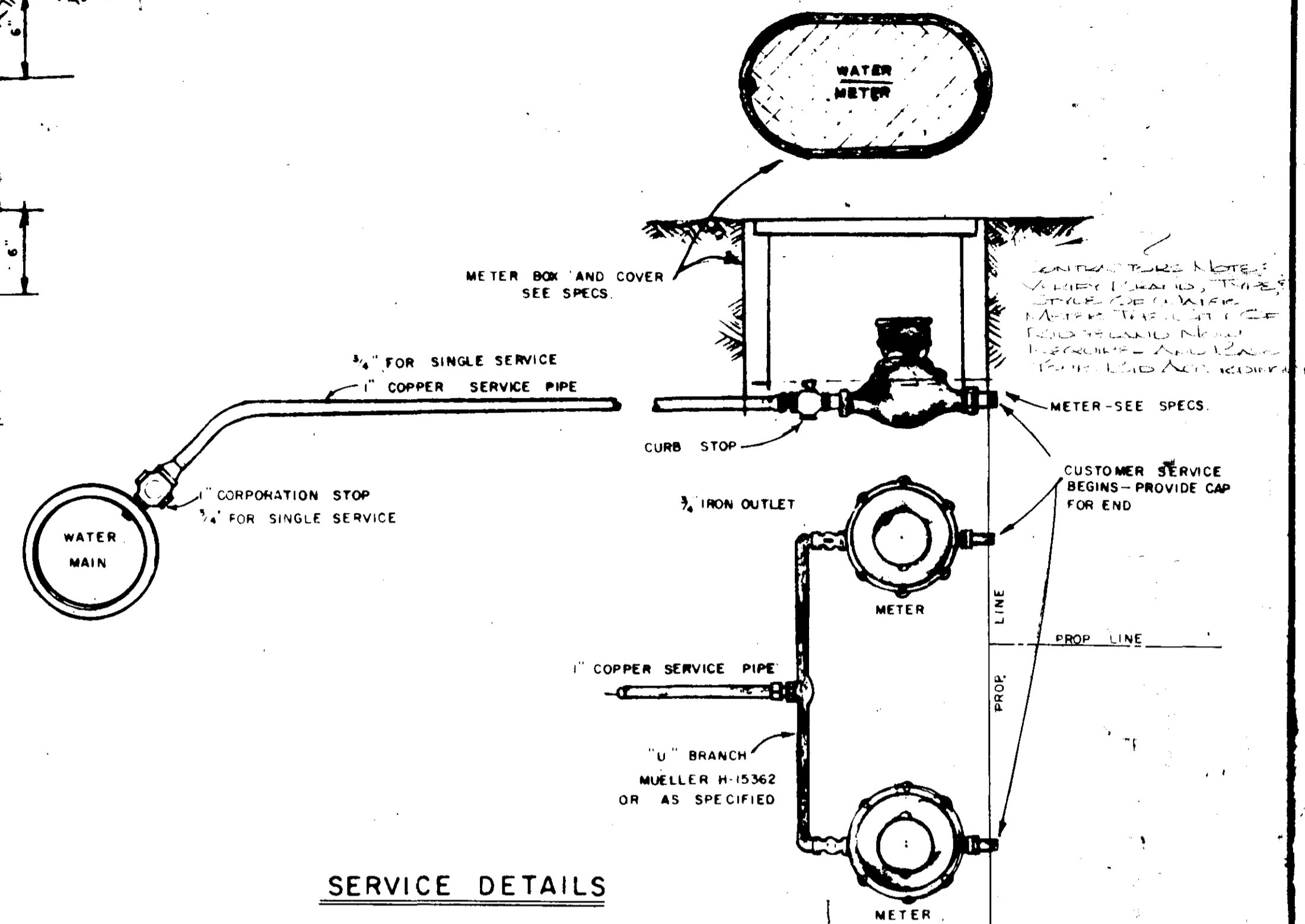
FIRE HYDRANT DETAIL



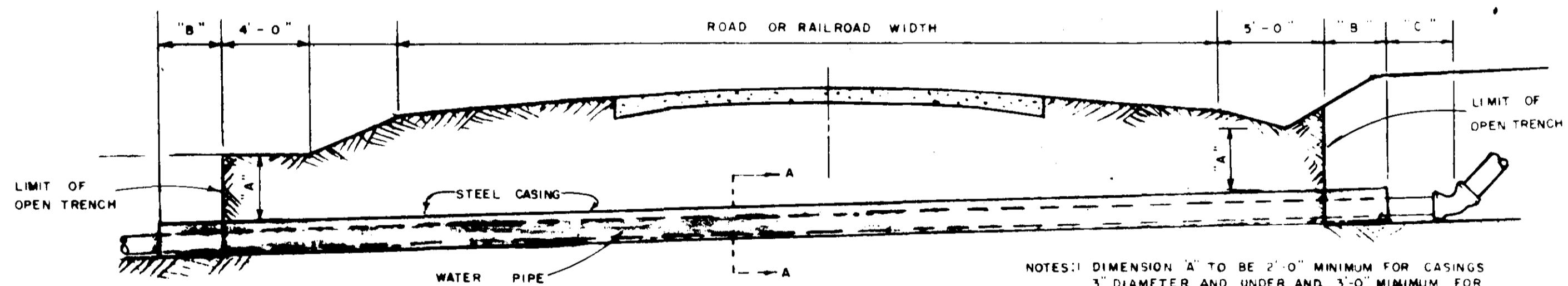
VALVE & BOX DETAIL



PIPE ENCASEMENT

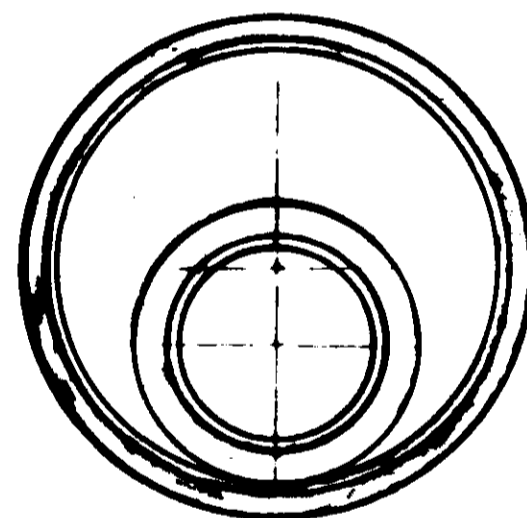


SERVICE DETAILS



CROSSING DETAIL

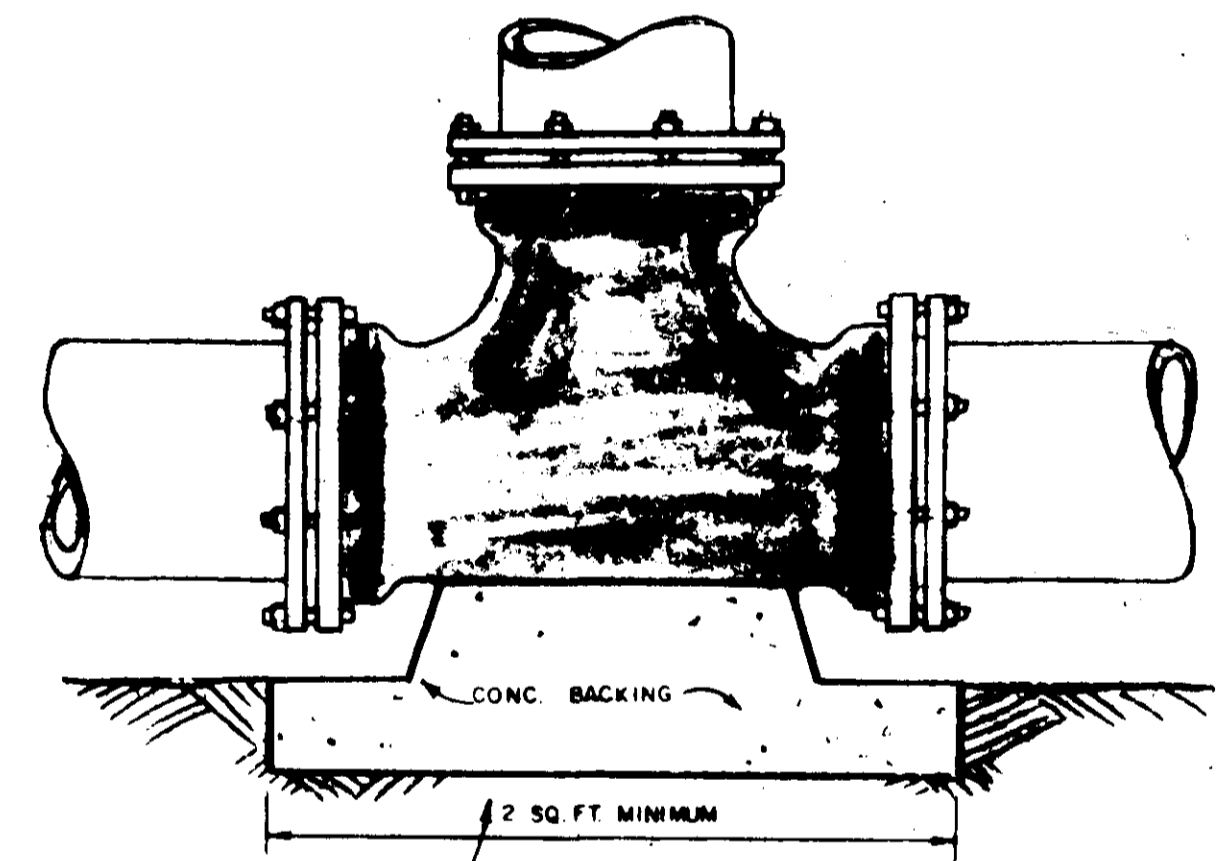
NOTES:  
1. DIMENSION 'A' TO BE 2'-0" MINIMUM FOR CASINGS 3" DIAMETER AND UNDER AND 3'-0" MINIMUM FOR CASINGS OVER 3" DIMENSIONS 'B' AND 'C' TO BE 2'-0" MINIMUM FOR LINES 3" DIAMETER AND UNDER AND 4'-0" MINIMUM FOR LINES OVER 3"  
2. ENCASEMENTS TO BE INSTALLED UNDER THE ROAD BY MEANS OF JACKING THROUGH OR BY DRY-BORING A HOLE THAT WILL RECEIVE THE CASING WITH SNUG FIT  
3. CORRUGATED METAL OR STEEL CASING PIPE OPTIONAL FOR RAILROAD CROSSINGS HIGHWAY CROSSINGS - STEEL PIPE ONLY  
4. 'B' DIMENSION WILL BE PAID FOR AS CIP IN CASING  
5. BORED OR JACKED CASING TO BE PAID FOR TO LIMIT OF OPEN TRENCH ONLY  
6. WHERE THERE IS CONFLICT WITH THE PLANS AND HIGHWAY AND RAILROAD CROSSING PERMITS THE APPROVED PERMITS WILL GOVERN



SECTION A-A

18" API SCHEDULE 10 STEEL PIPE ENCASEMENT FOR 10" PIPE  
14" 16" 8" 6"  
12"

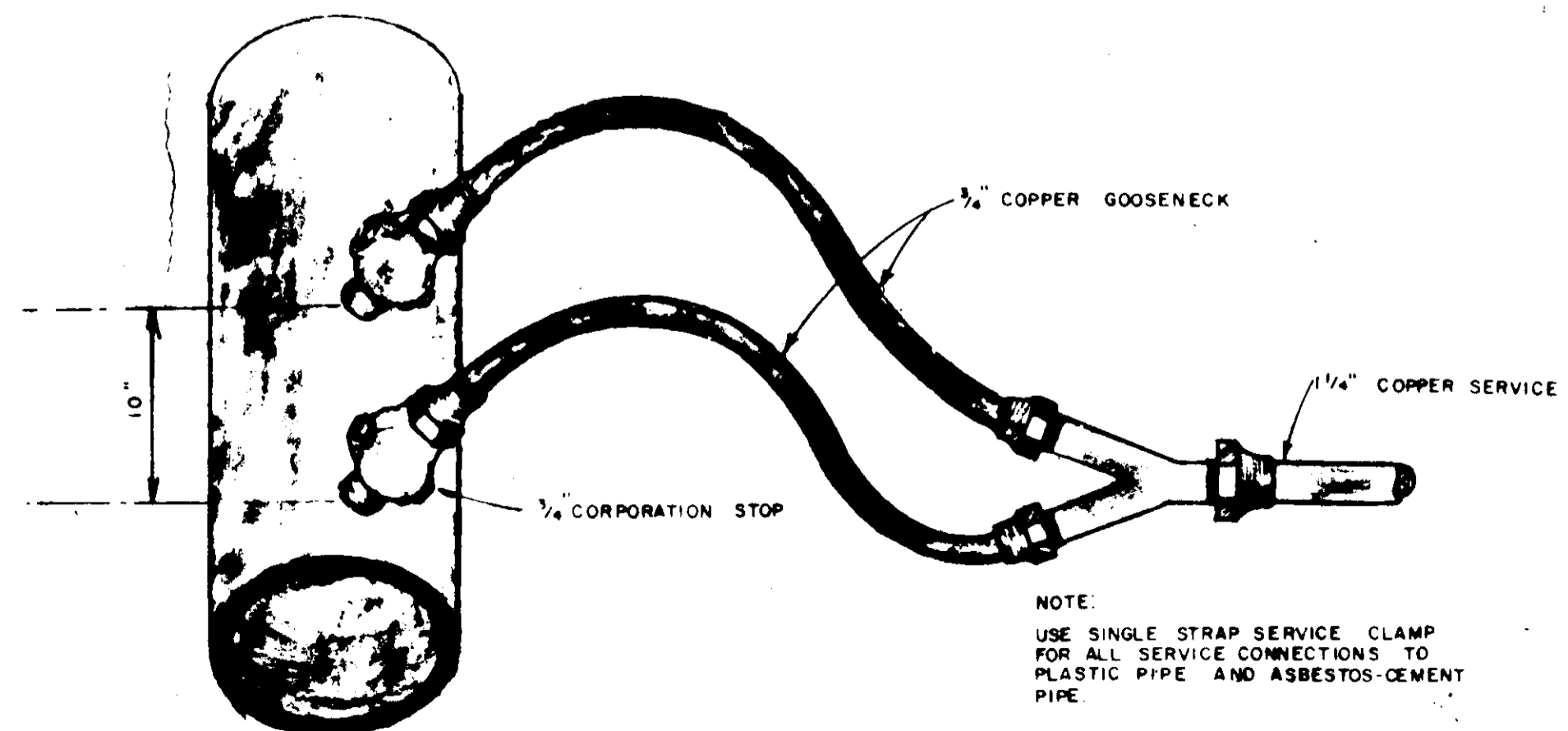
NOTE  
2 SQ. FT. MINIMUM AREA IN CONTACT WITH UNDISTURBED EARTH - LEAVE FITTINGS AND JOINTS ACCESSIBLE.



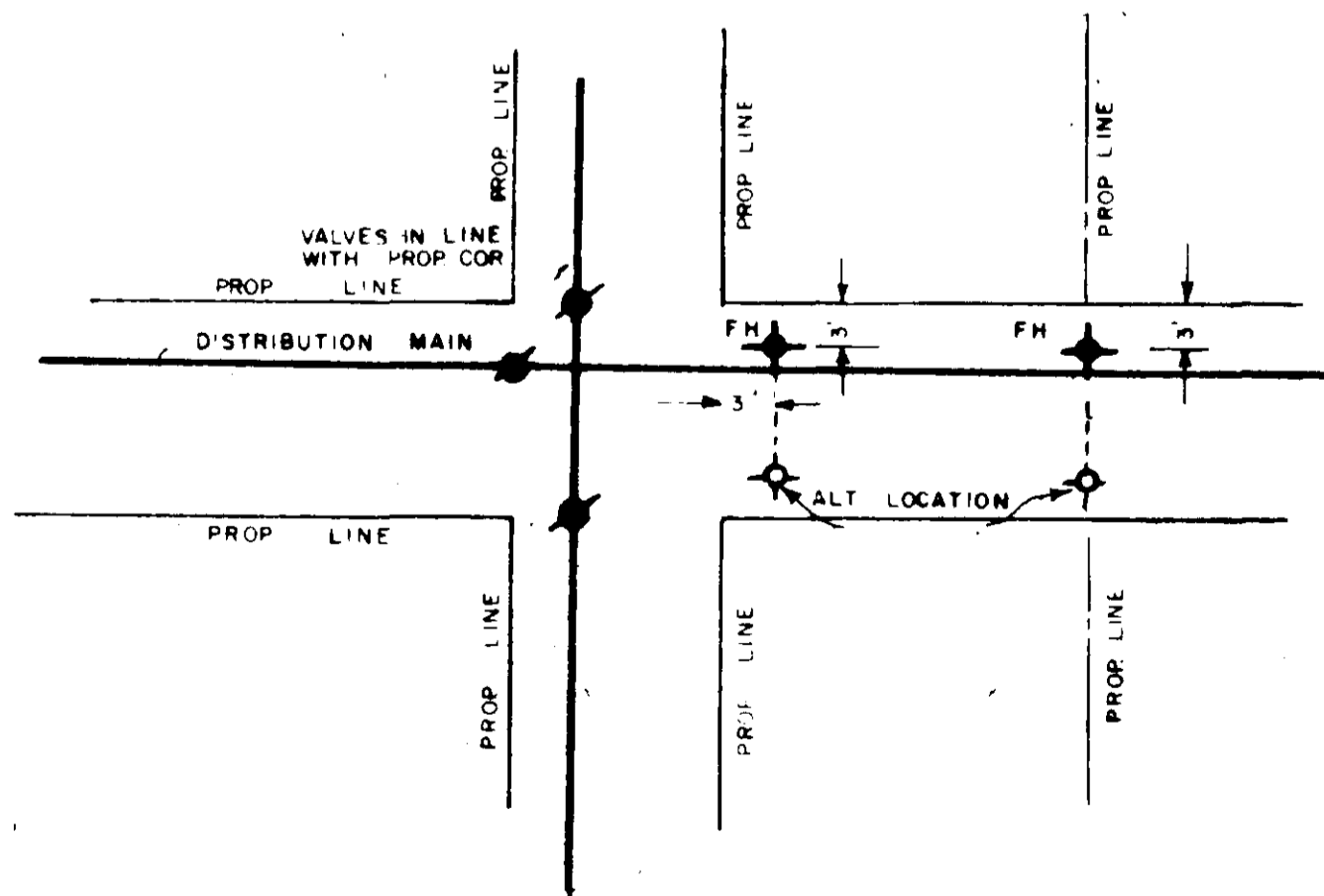
BEND & TEE DETAILS

GENERAL NOTES

- NO ADDITIONAL COMPENSATION WILL BE ALLOWED FOR USE OF ADDITIONAL FITTINGS WHERE UNDERGROUND OBSTACLES ARE ENCOUNTERED, WITHOUT WRITTEN APPROVAL OF THE ENGINEER.
- ALL WATER LINES WITHIN ROW LIMITS OF HIGHWAYS AND RAILROADS ARE TO BE INSTALLED IN STRICT ACCORDANCE WITH THE APPROVED PERMITS.
- CONTRACTOR WILL COORDINATE THE LOCATION OF EXISTING UTILITIES WITH THE PROPER AUTHORITIES.



SERVICE CONNECTIONS



TYPICAL DETAIL OF VALVE AND HYDRANT LOCATIONS

BEAVER CREEK, PART 2		
Standard Detail		
CONTINENTAL CONSULTANTS, INC. JACKSON, MISSISSIPPI		
CASE AND ASSOCIATES, INC. JACKSON, MISSISSIPPI		
SCALE: 1" = 100'	DATE	SHEET 10 OF 10