

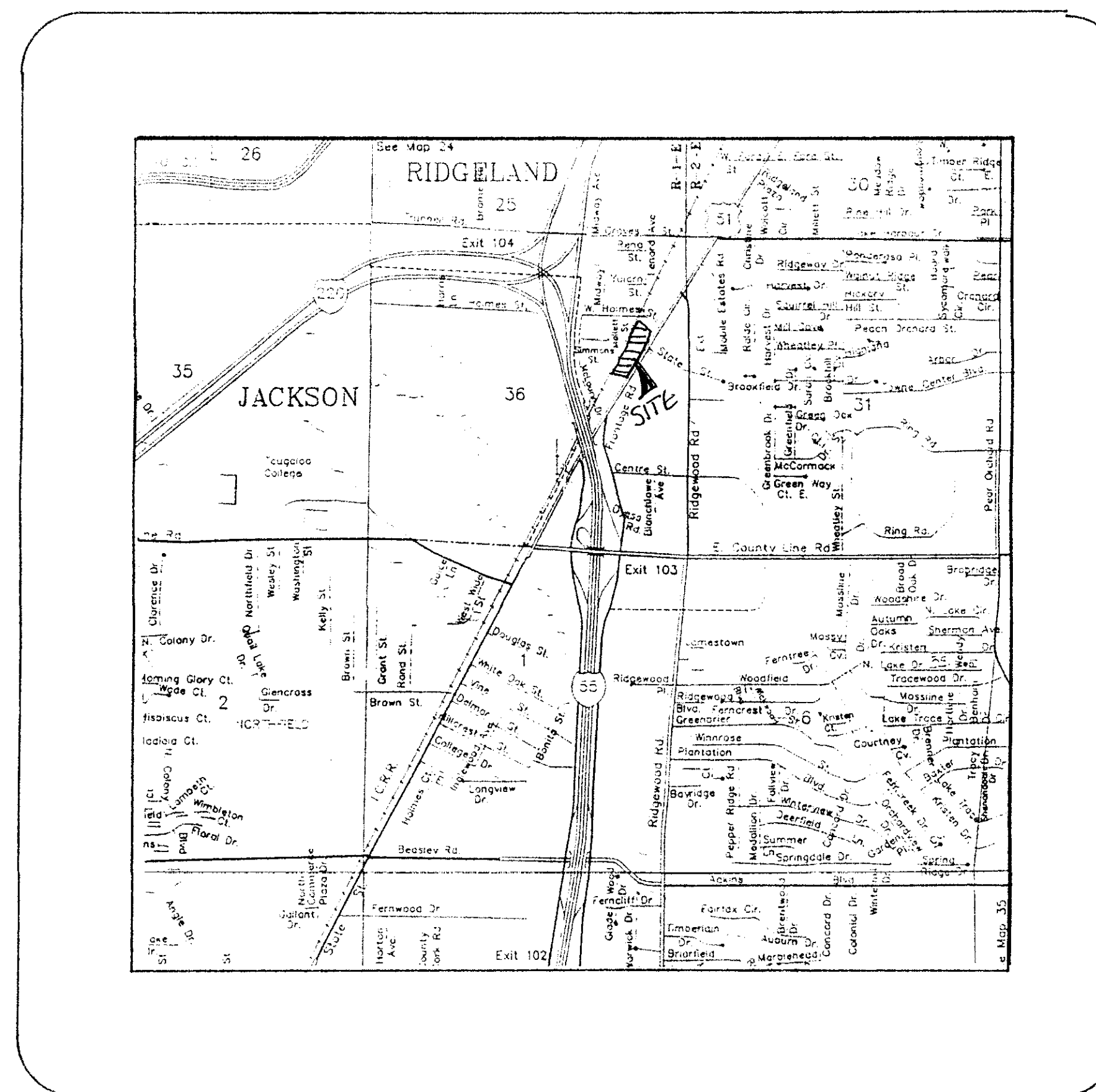
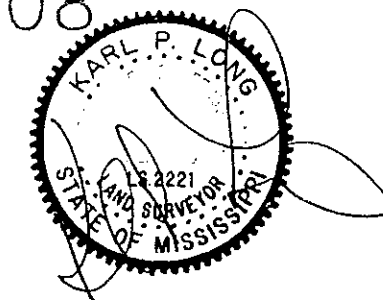
# UTILITY EXTENSIONS CITY OF RIDGELAND, MISSISSIPPI

DEVELOPER:

T.E. GUILLOT  
P.O. BOX 1336  
MADISON, MISSISSIPPI 39130

ENGINEER:

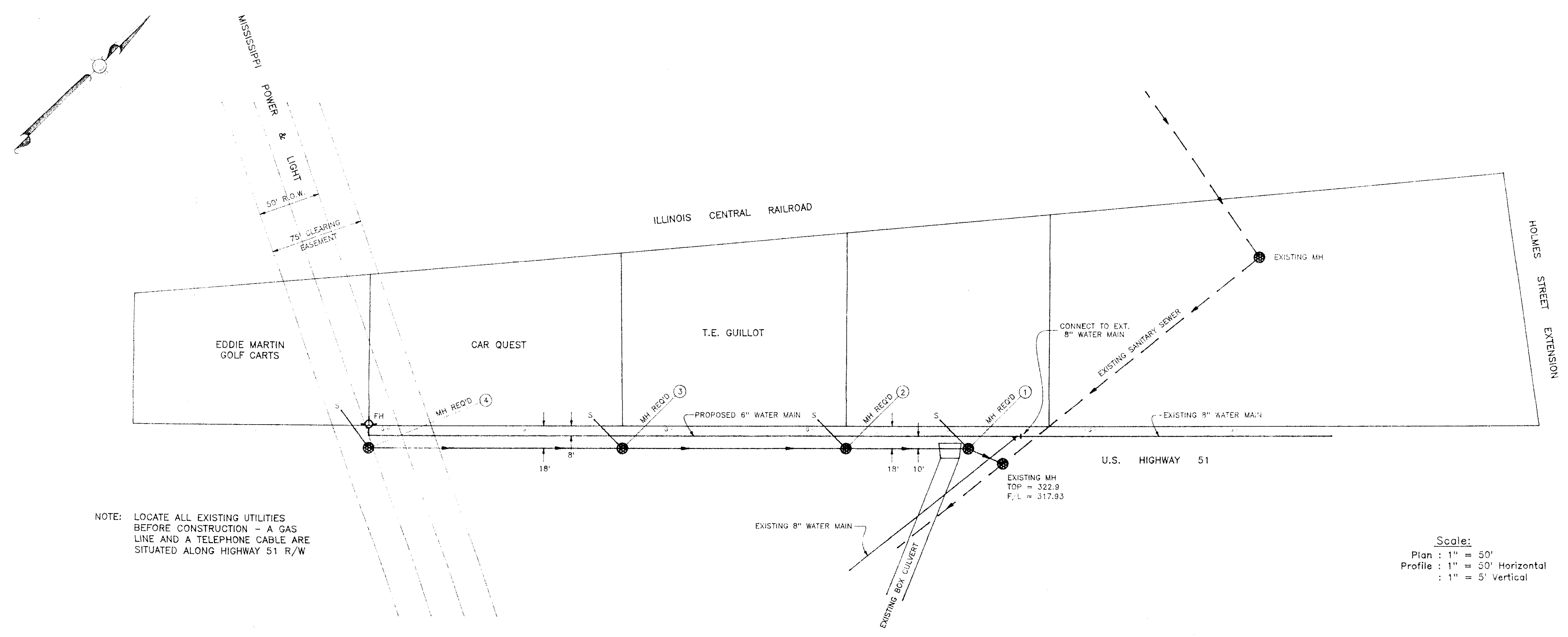
CENTRAL MISSISSIPPI ENGINEERING, INC.  
644 LAKELAND EAST DR. - SUITE "A"  
FLOWOOD, MISSISSIPPI 39208



INDEX

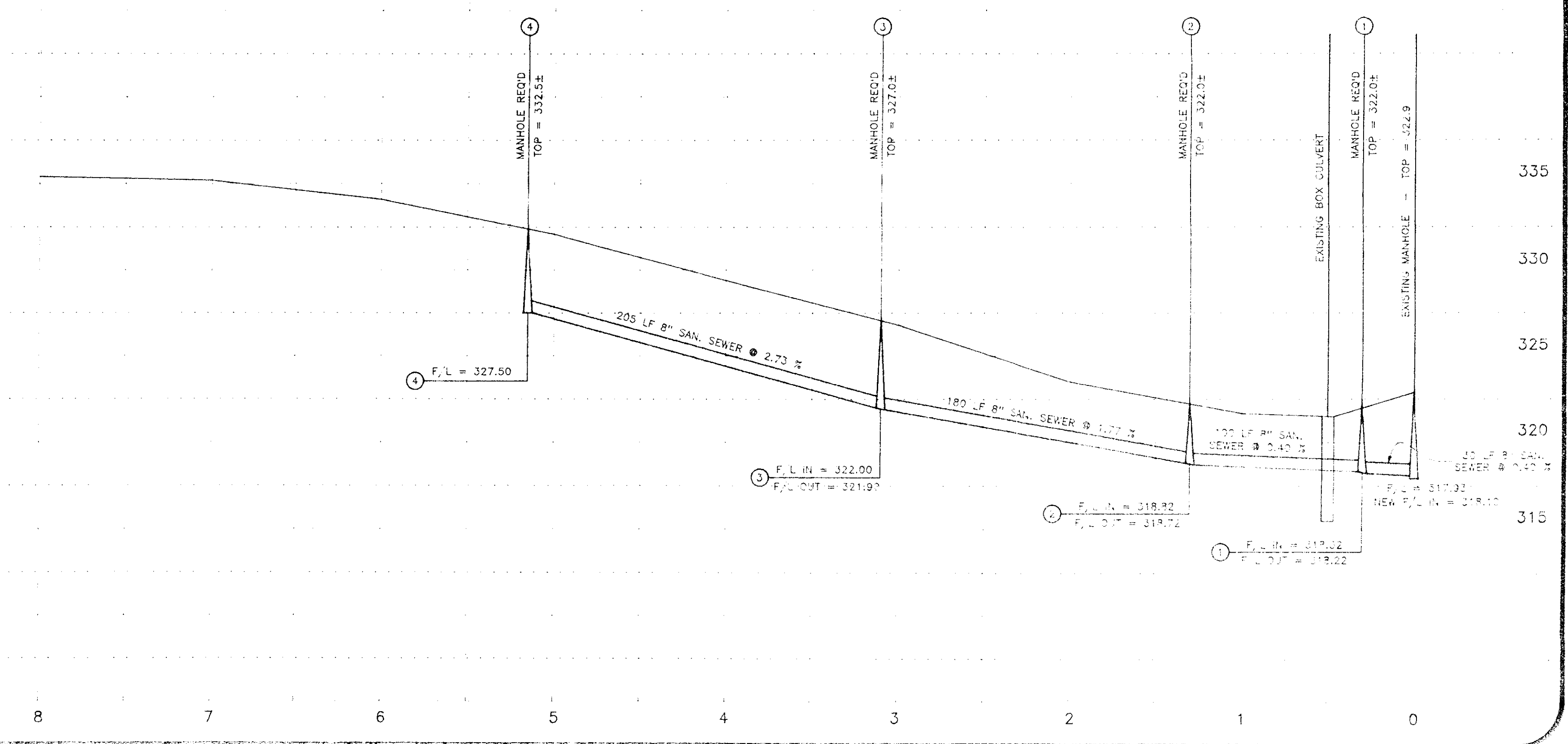
1	COVER SHEET
2	PLAN - PROFILE UTILITIES
3	STANDARD SEWER DETAILS
4	STANDARD WATER DETAILS

PW 03002



NOTE: LOCATE ALL EXISTING UTILITIES BEFORE CONSTRUCTION - A GAS LINE AND A TELEPHONE CABLE ARE SITUATED ALONG HIGHWAY 51 R/W

Scale:  
Plan : 1" = 50'  
Profile : 1" = 50' Horizontal  
          : 1" = 5' Vertical



Number

Central Mississippi Engineering  
644 Lakeland East Dr. Flowood, Mississippi 39208

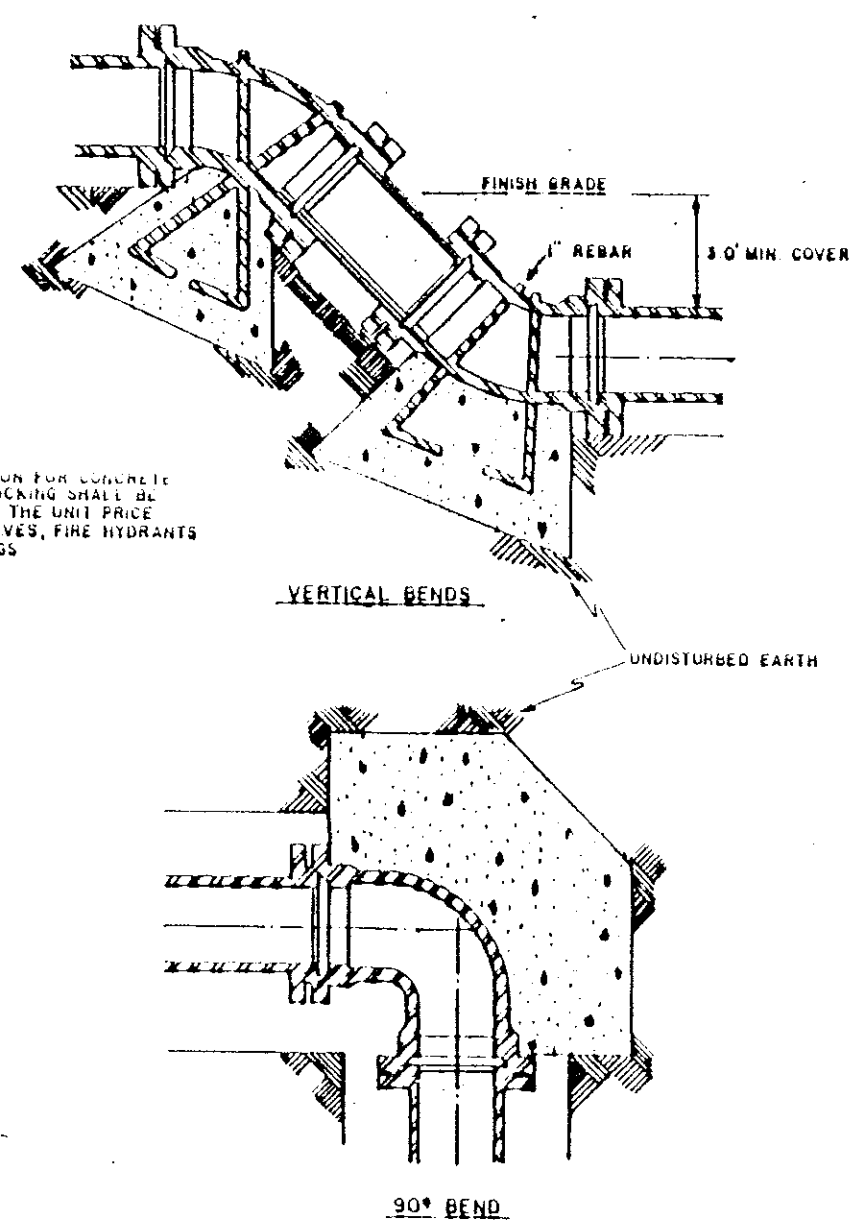
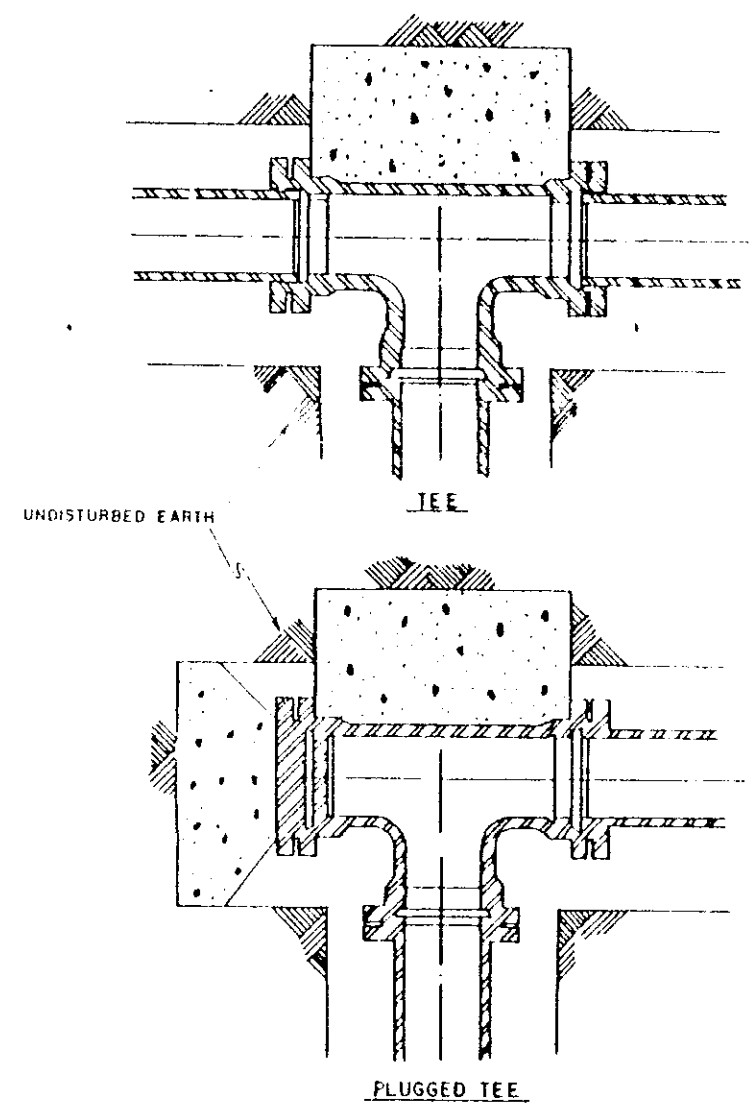
Utility Extensions  
City of Ridgeland  
T.E. Guillot

DATE: \_\_\_\_\_  
DRAWN BY: \_\_\_\_\_  
CHECKED BY: \_\_\_\_\_

2







NOTE: QUANTITY FOR CONCRETE THRUST & SINKING SHALL BE INCLUDED IN THE UNIT PRICE BID FOR VALVES, FIRE HYDRANTS AND FITTINGS.

TYPICAL BLOCKING ON WATER MAIN (13000 FOR CONCRETE REQUIRED)

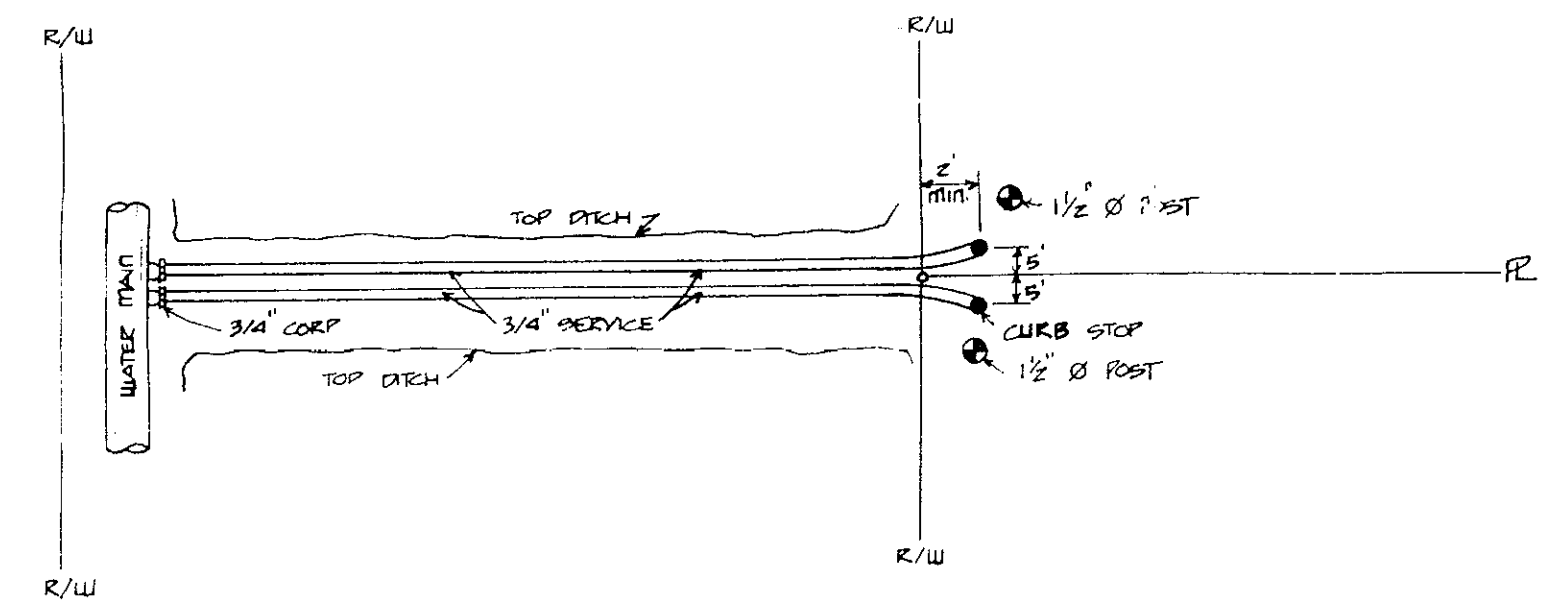
BEARING AREA IN SQ. FT.

NOMINAL PIPE DIAMETER (IN)	DEAD END OR TEE	90° BEND	45° BEND	22 1/2° BEND	11 1/4° BEND
4	2.0	2.0	2.0	2.0	2.0
6	3.0	3.0	3.0	3.0	3.0
8	4.0	4.0	4.0	4.0	4.0
12	8.0	8.0	8.0	8.0	8.0
16	12.0	12.0	12.0	12.0	12.0

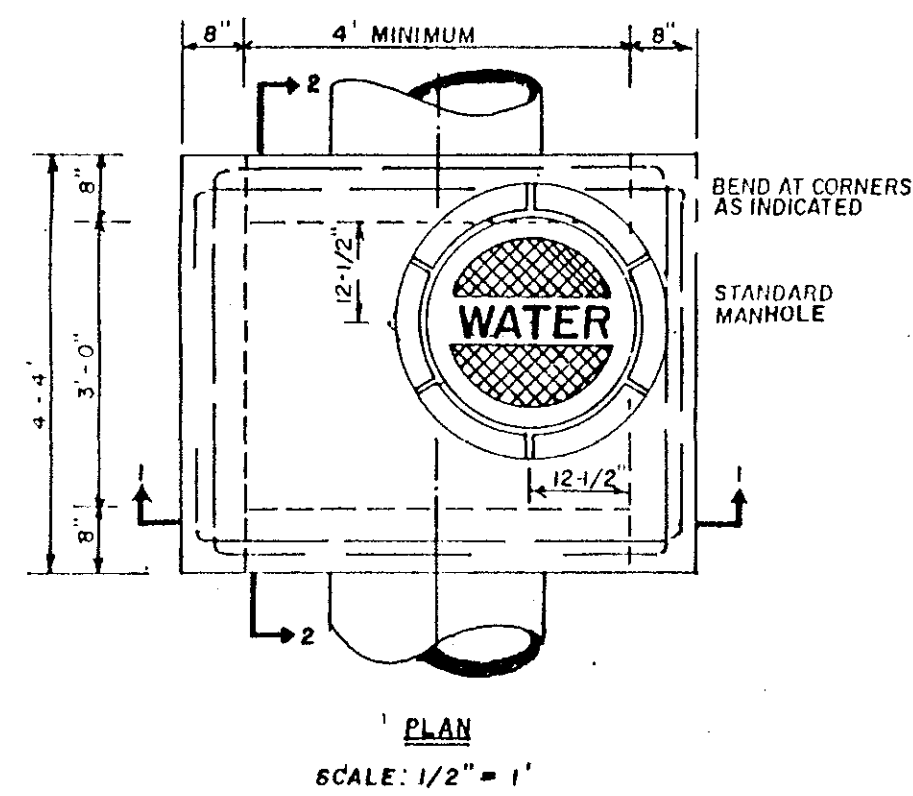
VERTICAL BENDS

NOMINAL PIPE DIAMETER (IN)	4	6	8	12	16
4	8.0 (22)	4.0 (15)	4.0 (15)	4.0 (15)	4.0 (15)
6	14.0 (22)	6.0 (22)	6.0 (22)	6.0 (22)	6.0 (22)
8	27.0 (11)	9.0 (33)	9.0 (33)	9.0 (33)	9.0 (33)
12	88.0 (23)	22.0 (18)	22.0 (18)	22.0 (18)	22.0 (18)
16	180.0 (33)	82.0 (11)	82.0 (11)	82.0 (11)	82.0 (11)

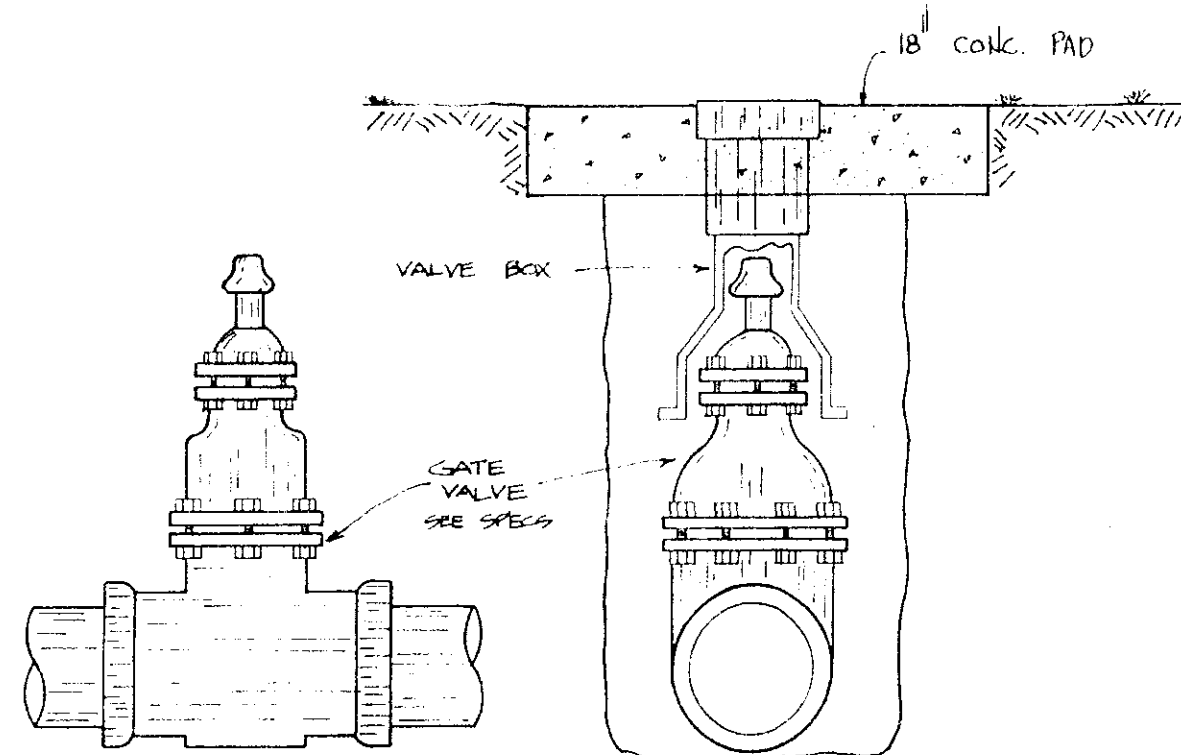
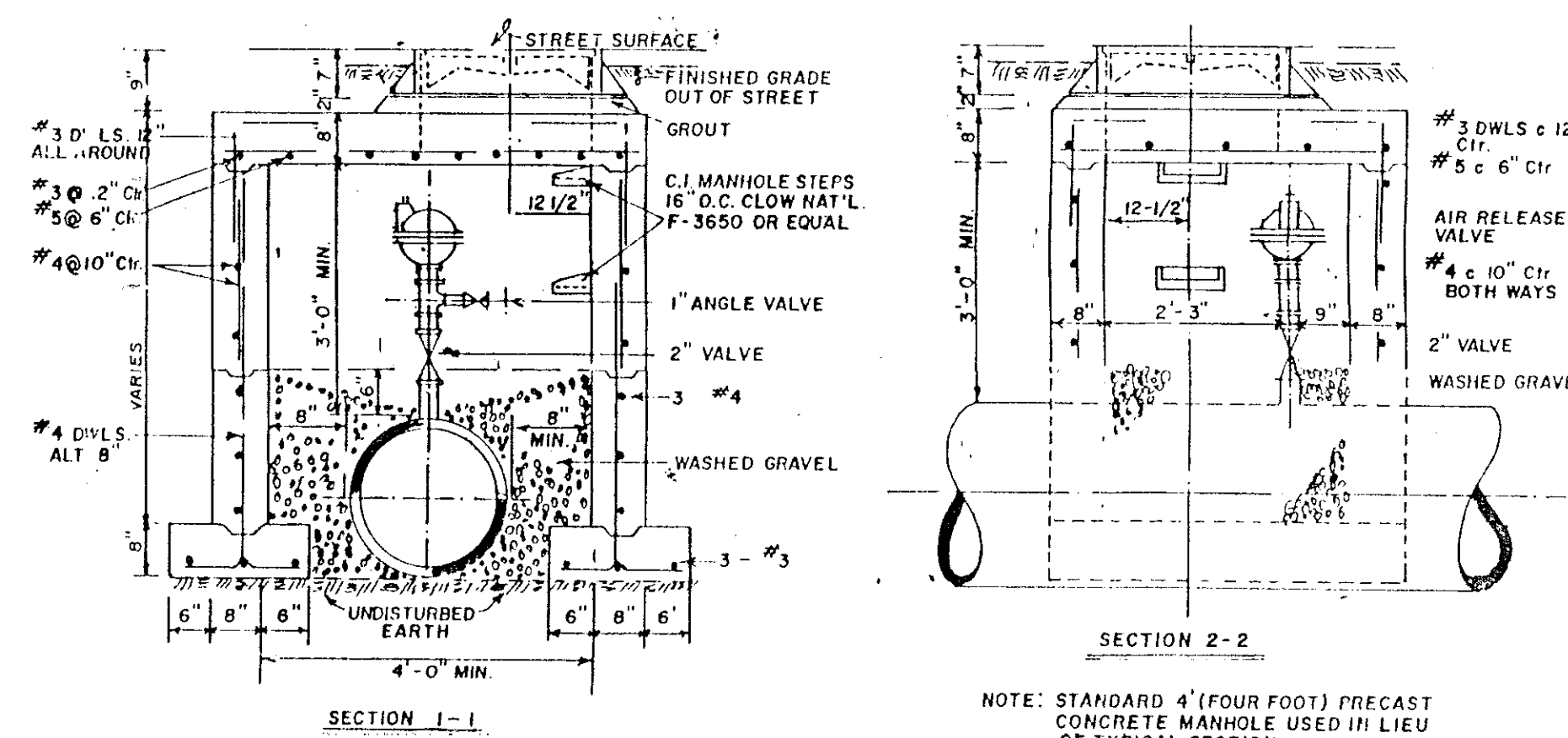
VOLUME OF BLOCKS INCLUDING SOIL LOAD CU. FT. (CU. YDS.)



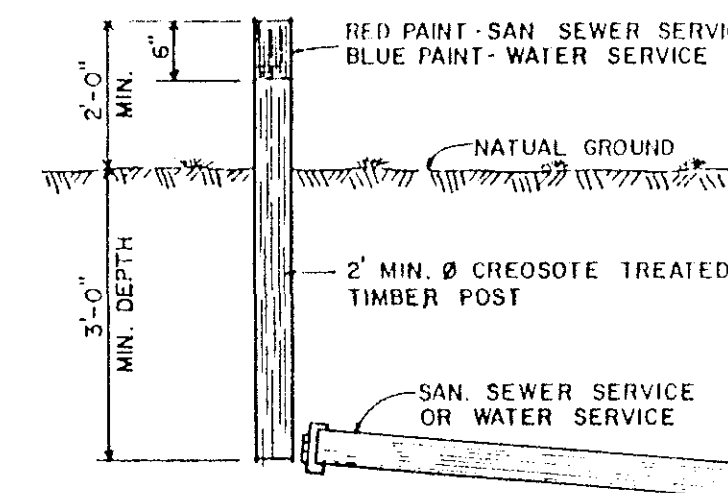
DOUBLE SERVICE DETAIL - WATER



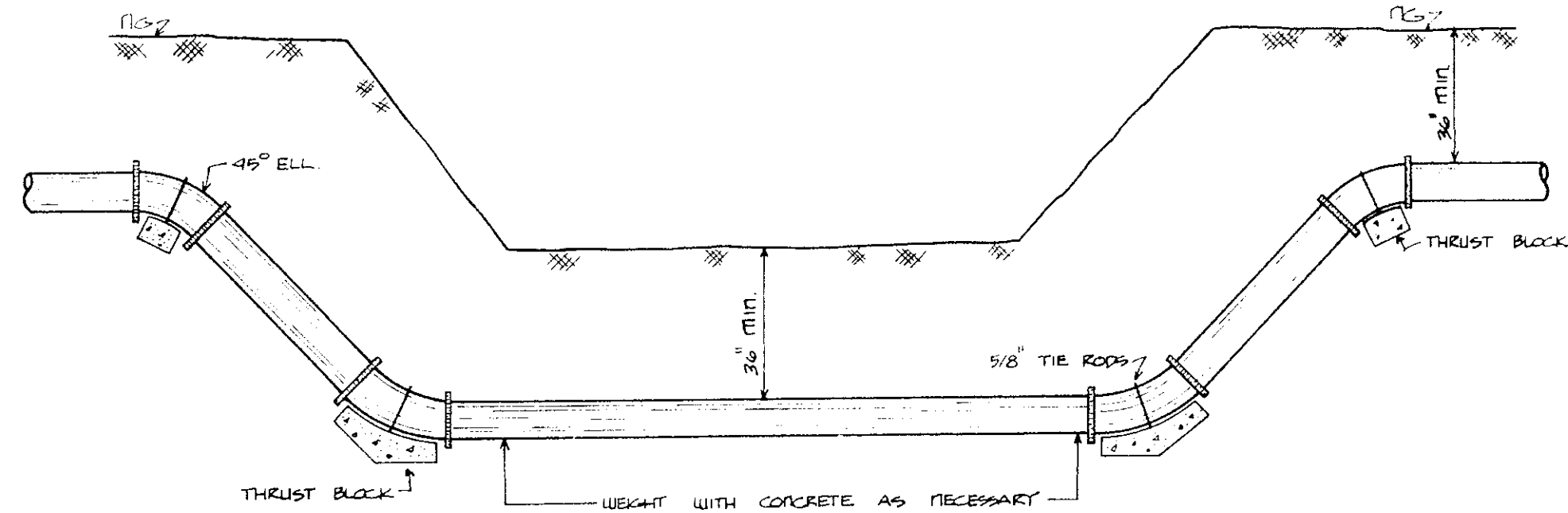
TYPICAL AIR RELEASE VALVE AND MANHOLE



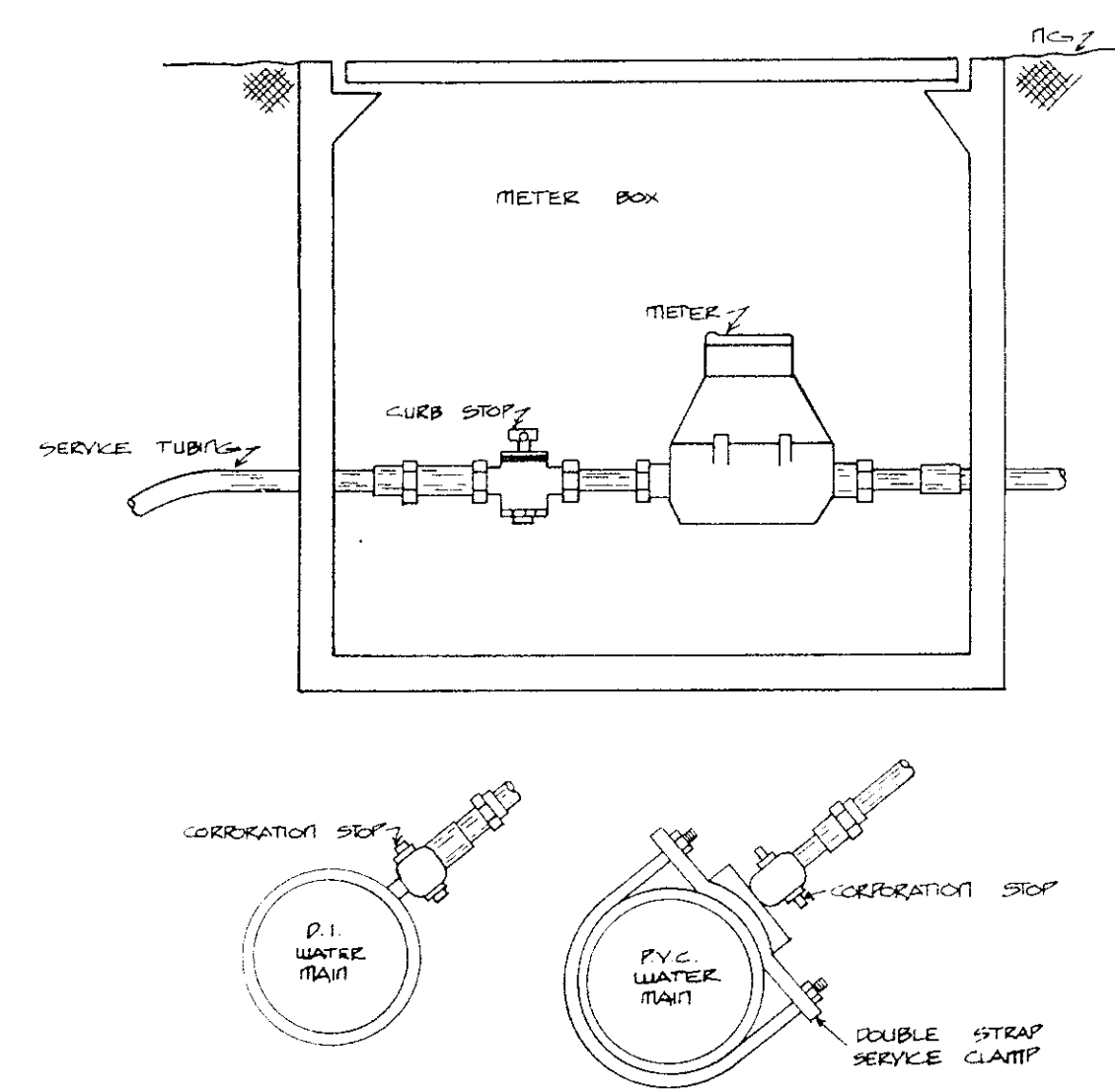
TYPICAL VALVE DETAIL



SERVICE MARKER DETAIL



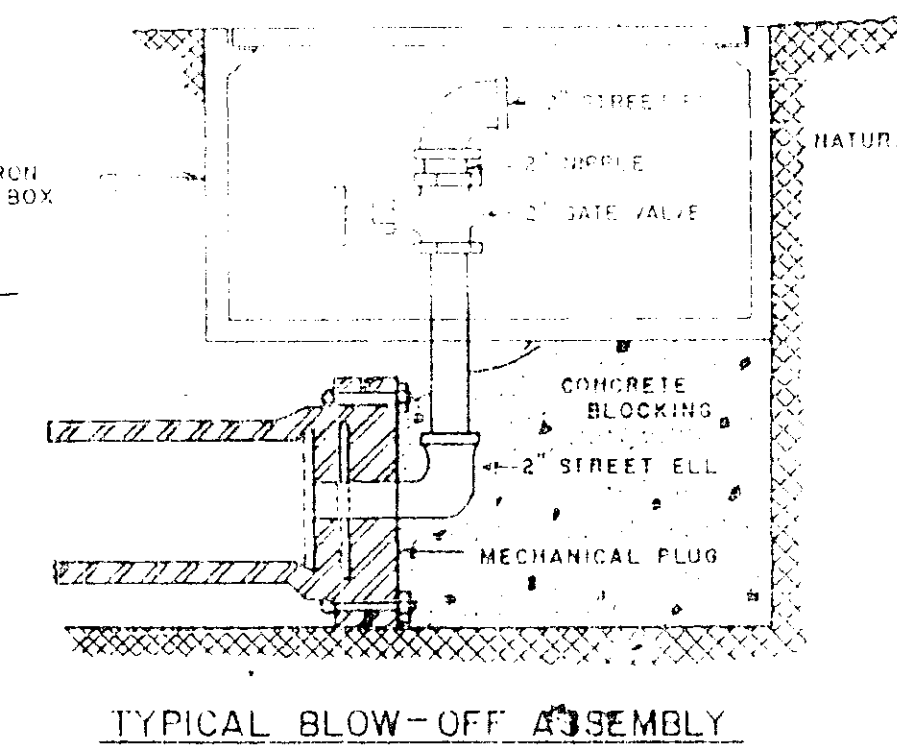
TYPICAL CREEK CROSSING



TYPICAL SERVICE ASSEMBLY

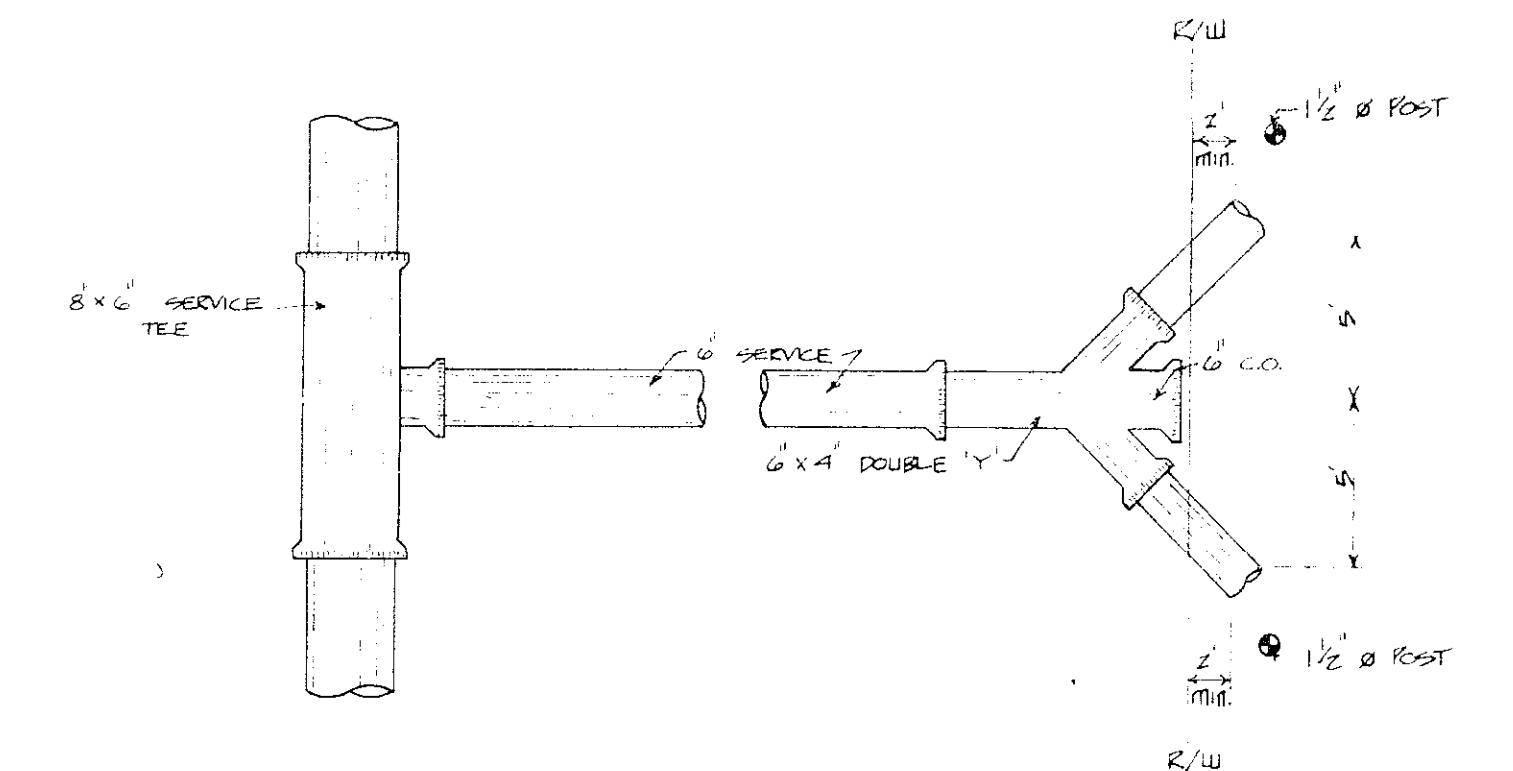
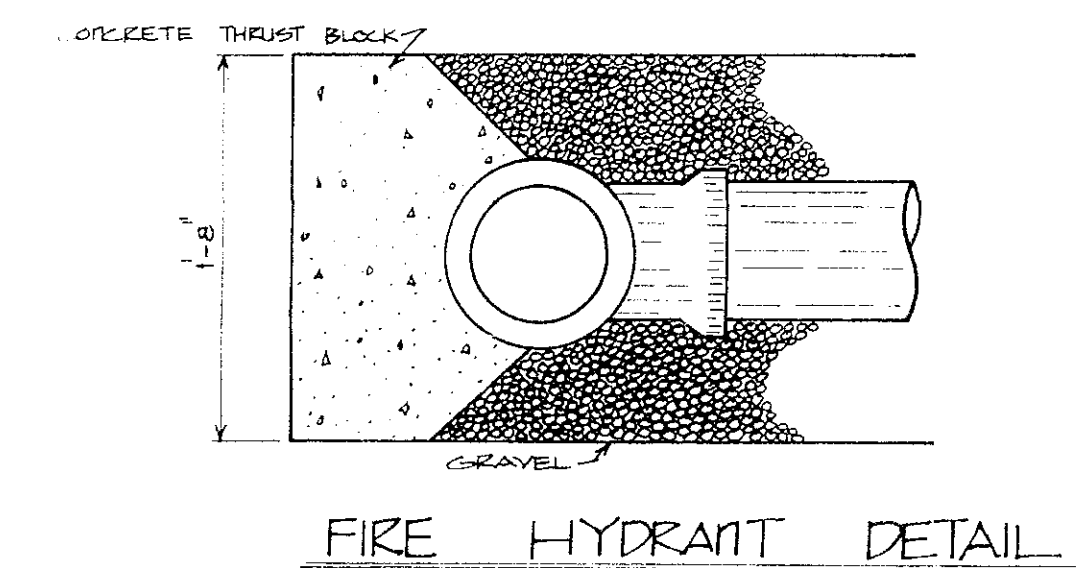
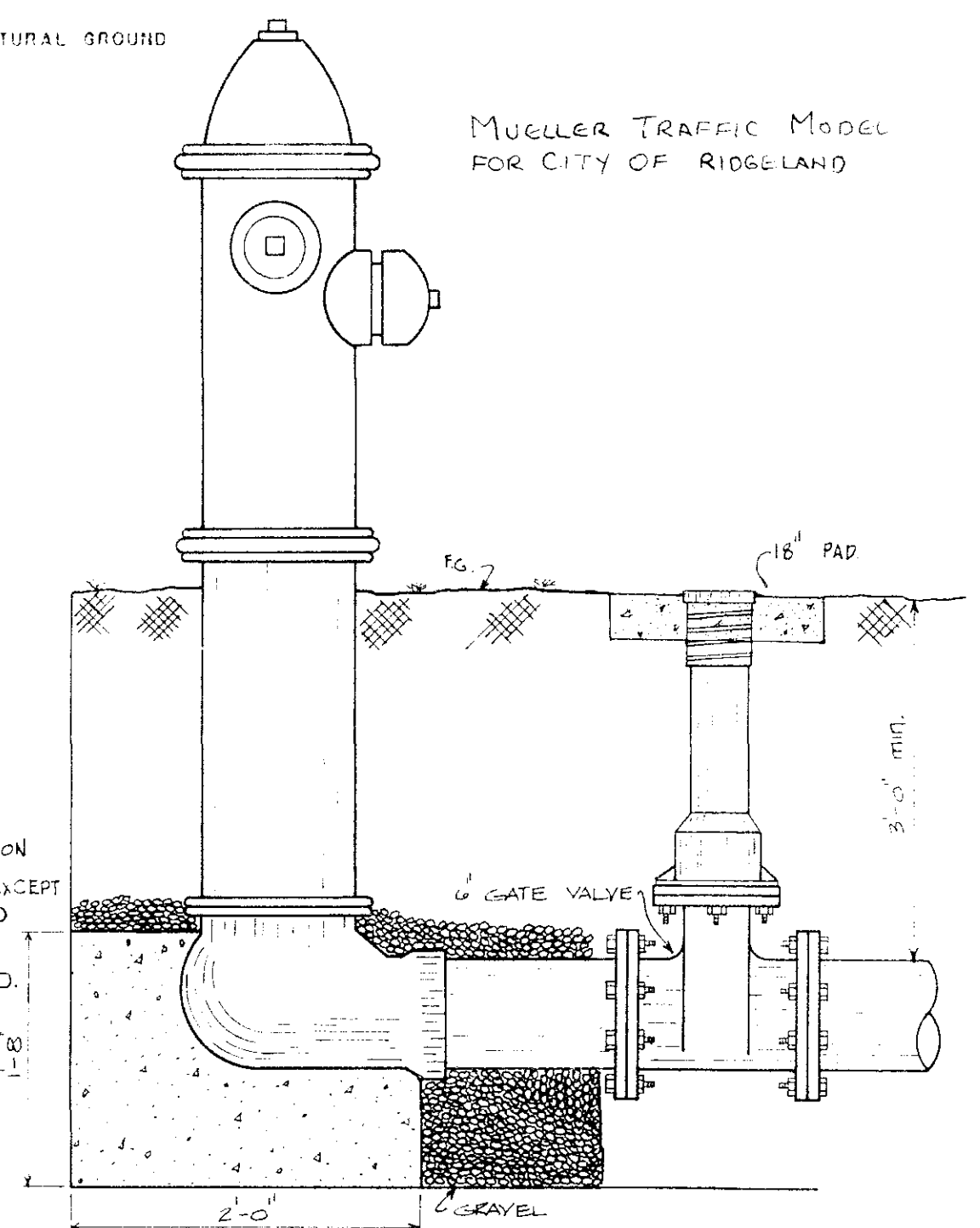
NOTE: 1. ALL CITY OF RIDGELAND 8" OR GREATER MAINS EXCEPT CITY OF CLINTON WHERE VALVE REQ'D. ON ALL MAINS ALSO TOWN OF FLORENCE & CITY OF RICHMOND

2. CITY OF RIDGELAND REQUIRES MUELLER H-10472 BRASS SERVICE CLAMP



NOTE: 1. ALL FH INSTALLATION REQUIRE A D.I. ANCHOR COUPLING.

2. VALVE REQUIRED ONLY ON 8" OR GREATER MAINS EXCEPT CITY OF RIDGELAND & CITY OF CLINTON WHERE VALVE REQ'D. ON ALL MAINS ALSO TOWN OF FLORENCE & CITY OF RICHMOND



DOUBLE SEWER SERVICE DETAIL

2	VALVE DETAIL - FH DETAIL	8/8/85
NO.	REVISIONS	BY DATE
<b>STANDARD WATER DETAILS</b>		
DESIGNED BY K.P.L.	DRAWN BY J.L.H.	
SCALE	DATE AUG. 1984	