

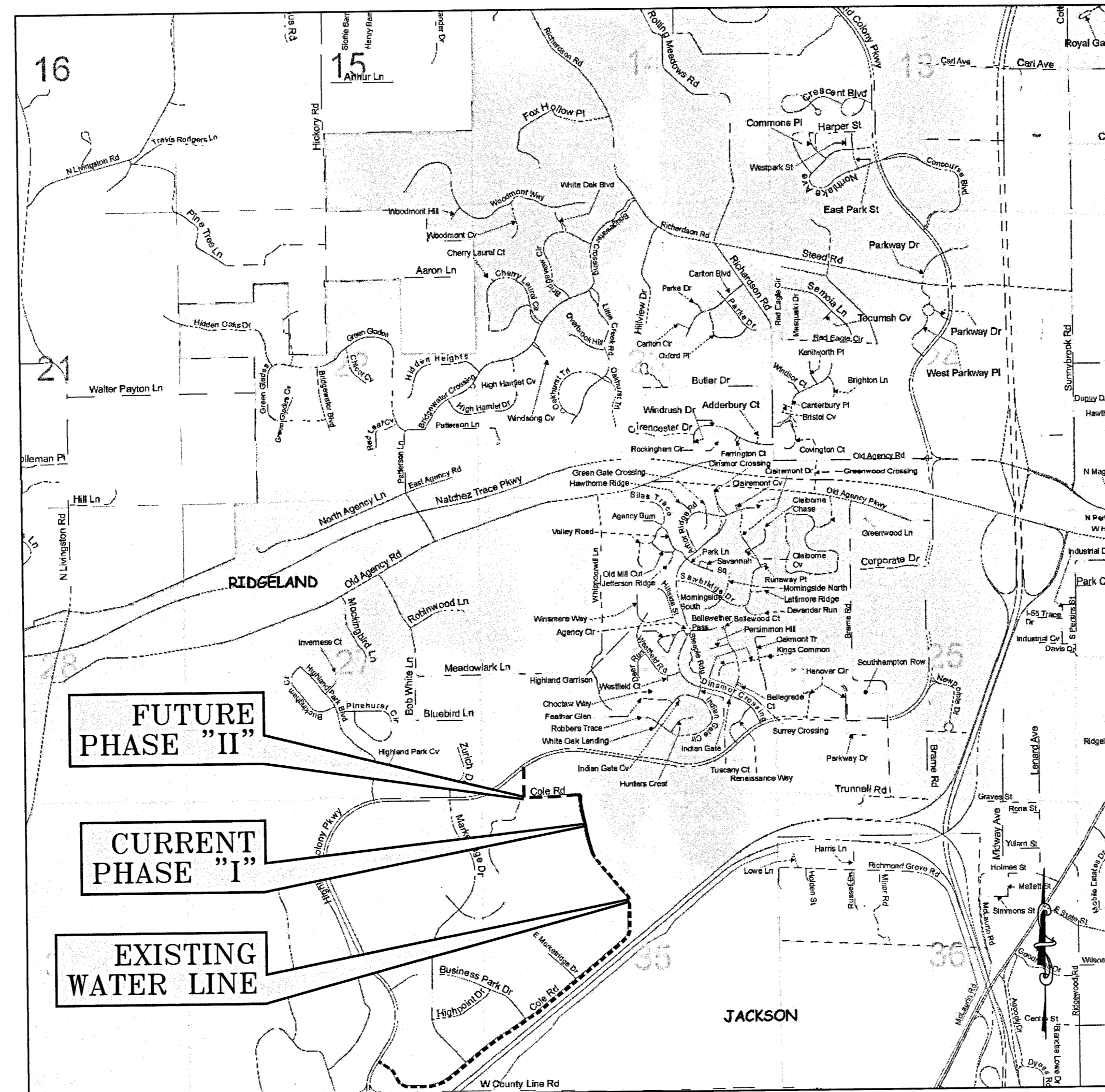
# COLE ROAD

## WATER DISTRIBUTION IMPROVEMENTS

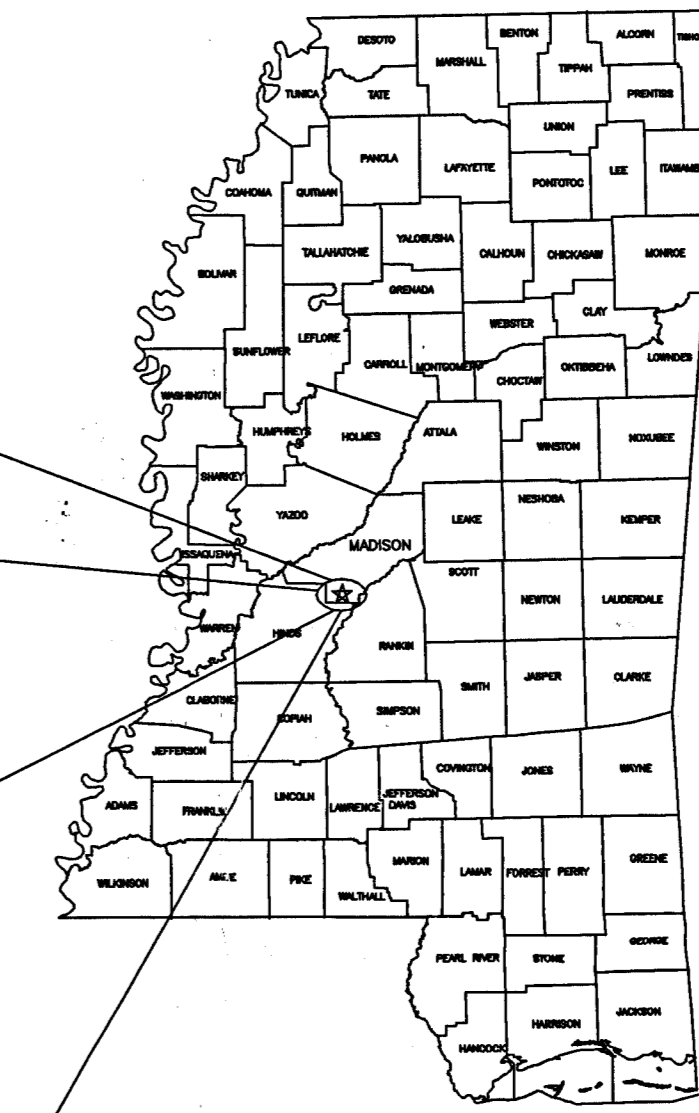
### PHASE "I"

#### CITY OF RIDGELAND, MISSISSIPPI

INDEX TO DRAWINGS	
SHEET NO.	TITLE
G.1	COVER SHEET
G.2	VICINITY MAP & GENERAL NOTES
P1.0	PLAN VIEW SHEET
CD.1	CONSTRUCTION DETAILS
CD.2	CONSTRUCTION DETAILS



VICINITY MAP  
NOT TO SCALE  
August 2009  
WEI #: W08011



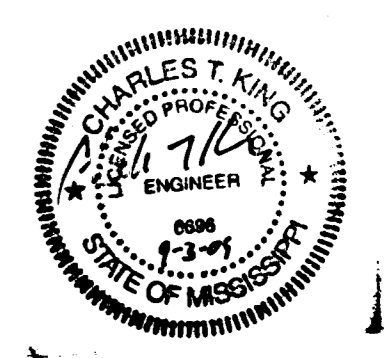
MAYOR:  
GENE F. MCGEE

BOARD OF ALDERMAN:  
GERALD STEEN, AT-LARGE  
KEN HEARD, WARD 1  
CHUCK GAUTIER, WARD 2  
KEVIN HOLDER, WARD 3  
BRIAN RAMSEY, WARD 4  
SCOTT JONES, WARD 5  
WESLEY HAMLIN, WARD 6

PUBLIC WORKS DIRECTOR:  
MIKE MCCOLLUM

COLE ROAD  
WATER DISTRIBUTION IMPROVEMENTS  
PHASE "I"  
CITY OF RIDGELAND, MISSISSIPPI

DRAWING REVISIONS		
NO.	REMARKS	DATE



DRAWN BY: CWB	SCALE: N.T.S.
DESIGNED BY: CTX	DATE: August 2009
CHECKED BY: CTX	PROJECT: W08011

Cover Sheet

SHEET NUMBER  
G.1

PWP-00346

**NOTES:**

CONTRACTOR TO VERIFY WATERLINE LOCATIONS IN FIELD WITH ENGINEER BEFORE INSTALLING.

THE EXISTING WATER AND SEWER LINES ARE DEPICTED AS THEY WERE SHOWN ON RECORD DRAWINGS OBTAINED FROM THE CITY OF RIDGELAND'S PUBLIC WORKS DEPARTMENT.

BASE MAP INFORMATION FOR THE PROJECT DRAWINGS WAS PROVIDED FROM THE MADISON COUNTY TAX MAPS. WAGGONER ENGINEERING, INC. MAKES NO GUARANTEE AS TO THE ACCURACY OF THIS INFORMATION.

THE APPROXIMATE LOCATION OF KNOWN UNDERGROUND UTILITIES ARE SHOWN ON THE PLANS. IN ADDITION TO THE UTILITIES SHOWN, THERE MAY ALSO BE ADDITIONAL UNDERGROUND UTILITIES WHICH HAVE NOT BEEN DETECTED. IT SHALL BE THE RESPONSIBILITY OF THE CONTRACTOR TO CONTACT ALL UTILITY COMPANIES (CALL MISSISSIPPI ONE-CALL) AND THE CITY OF RIDGELAND PUBLIC WORKS DEPARTMENT TO GIVE NOTIFICATION OF INTENT TO EXCAVATE IN THE AREA OF THE PROJECT. FAILURE BY THE CONTRACTOR TO NOTIFY SAID COMPANIES SHALL MAKE THE CONTRACTOR LIABLE UNDER STATE LAW FOR ANY DAMAGES INCURRED TO UNDERGROUND UTILITIES.

THE ENGINEER RESERVES THE RIGHT TO RELOCATE THE PROPOSED WATER LINE DURING CONSTRUCTION IF THERE IS A CONFLICT WITH EXISTING UNDERGROUND UTILITIES.

ALL WATERLINES TO BE INSTALLED AT A MINIMUM OF 36" BELOW GROUND UNLESS OTHERWISE NOTED.

THE CONTRACTOR SHALL MAINTAIN A 10 FOOT HORIZONTAL SEPARATION AND AN 18" VERTICAL SEPARATION BETWEEN THE TOP OF ANY SANITARY SEWER LINE AND THE BOTTOM OF ANY WATER LINE.

EXISTING WATER LINES SHALL REMAIN IN SERVICE DURING CONSTRUCTION.

CONTRACTOR TO NOTIFY CITY OF RIDGELAND PUBLIC WORKS DEPARTMENT AT LEAST 48 HOURS BEFORE MAKING CONNECTION TO ANY EXISTING WATERLINE.

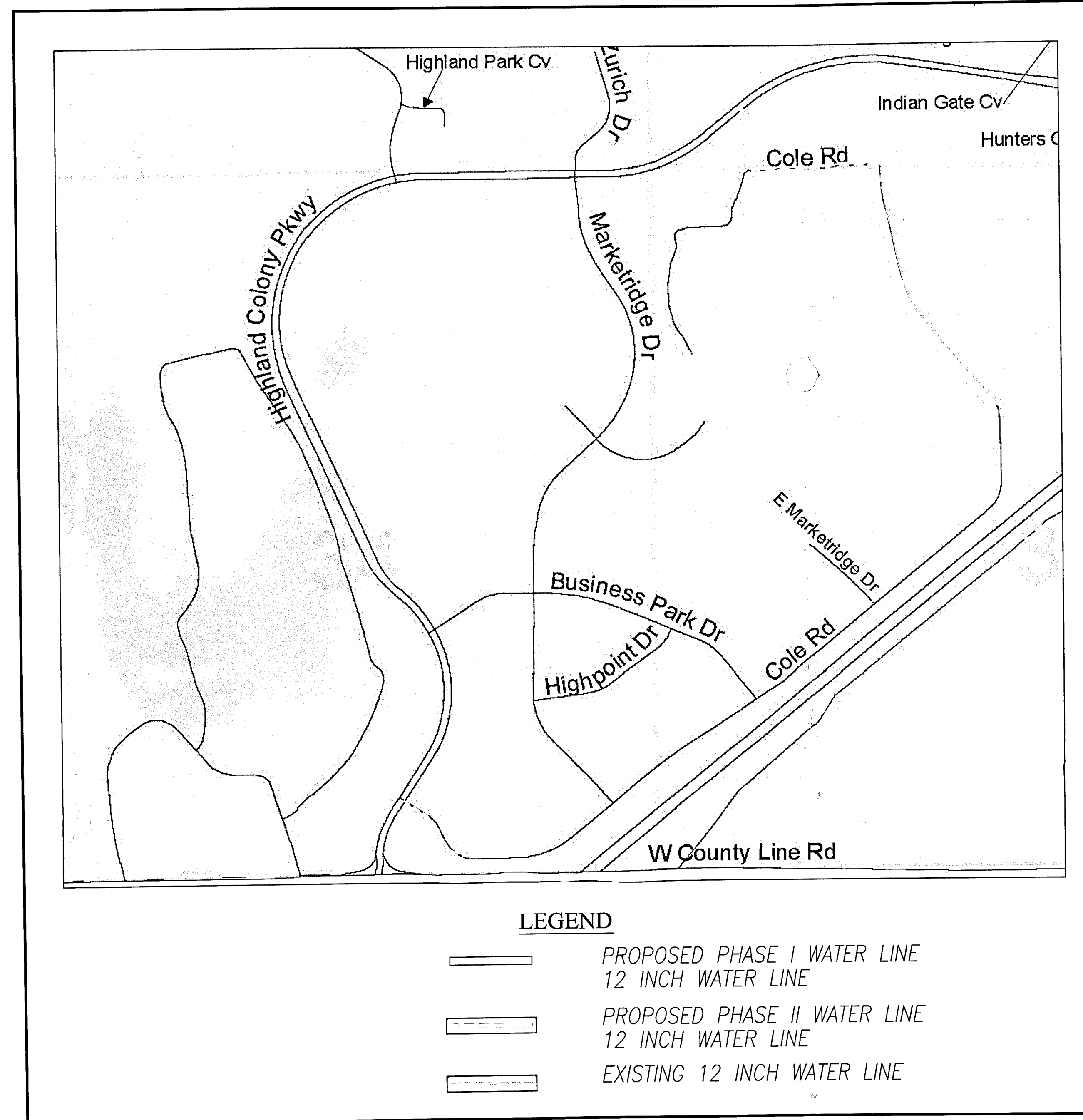
NEW WATER LINES SHALL NOT BE PLACED IN SERVICE UNTIL TWO (2) CONSECUTIVE SAMPLES OF WATER ARE FOUND TO MEET THE STATE HEALTH DEPARTMENT STANDARDS, AND THE LINES HAVE SUCCESSFULLY COMPLETED HYDROSTATIC TESTING.

THE CONTRACTOR SHALL END THE SERVICE LINE AT THE CURB STOP UNTIL THE NEW WATER LINE HAS MET THE STATE HEALTH DEPARTMENT STANDARDS. ONCE THE NEW WATER LINE HAS BEEN APPROVED, THE CONTRACTOR SHALL CONNECT THE NEW SERVICE LINE TO THE EXISTING METER.

ALL FITTINGS SHALL BE EQUIPPED WITH MEGALUG RESTRAINTS.

ANY AREA WHERE THE EXISTING VEGETATION WAS DISTURBED BY CONSTRUCTION SHALL BE GRADED TO A SMOOTH CONDITION WHICH ALLOWS THE WATER TO RUNOFF, AND GRASSED WITH COMMON BERMUDAGRASS SEED. THE CONTRACTOR SHALL SOD ALL AREAS THAT ARE CURRENTLY SODDED.

IT SHALL BE THE RESPONSIBILITY OF THE CONTRACTOR TO RELOCATE ANY EXISTING TRAFFIC SIGNS IN CONFLICT WITH THE PROJECT TO A LOCATION THAT IS VISIBLE TO THE CORRESPONDING TRAFFIC.



**WAGGONER Engineering, Inc.**

143-A LeFleurs Square  
JACKSON, MS 39211  
601-355-9526  
FAX 601-352-3945

**COLE ROAD  
WATER DISTRIBUTION IMPROVEMENTS  
PHASE "I"  
THE CITY OF RIDGELAND, MISSISSIPPI**

DRAWING REVISIONS		
NO.	REMARKS	DATE

SCALE:	
DRAWN BY:	CWB
DESIGNED BY:	CTK
CHECKED BY:	CTK
DRAWING TITLE:	

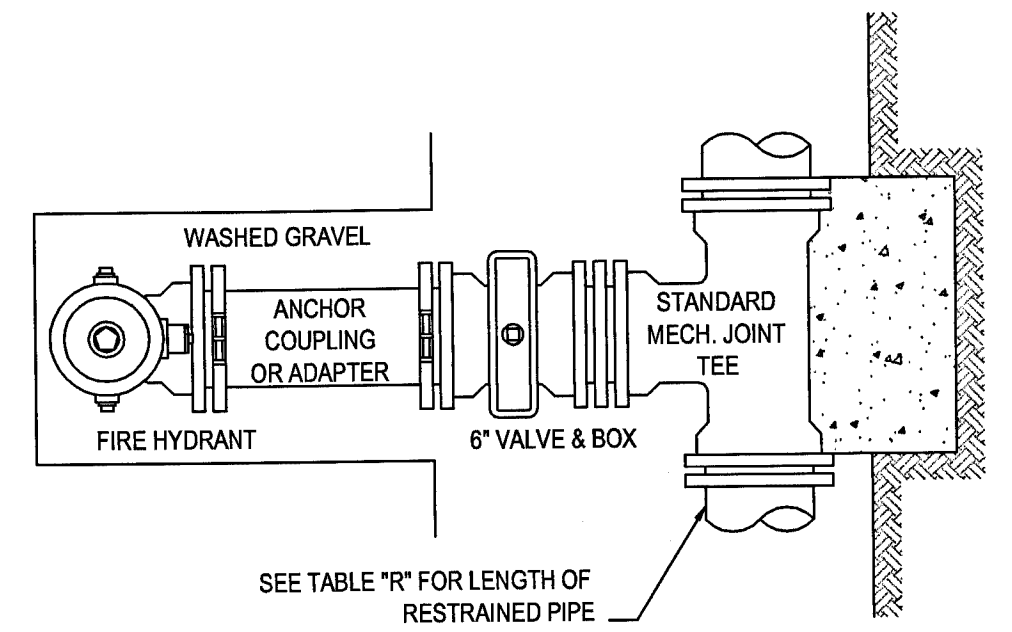
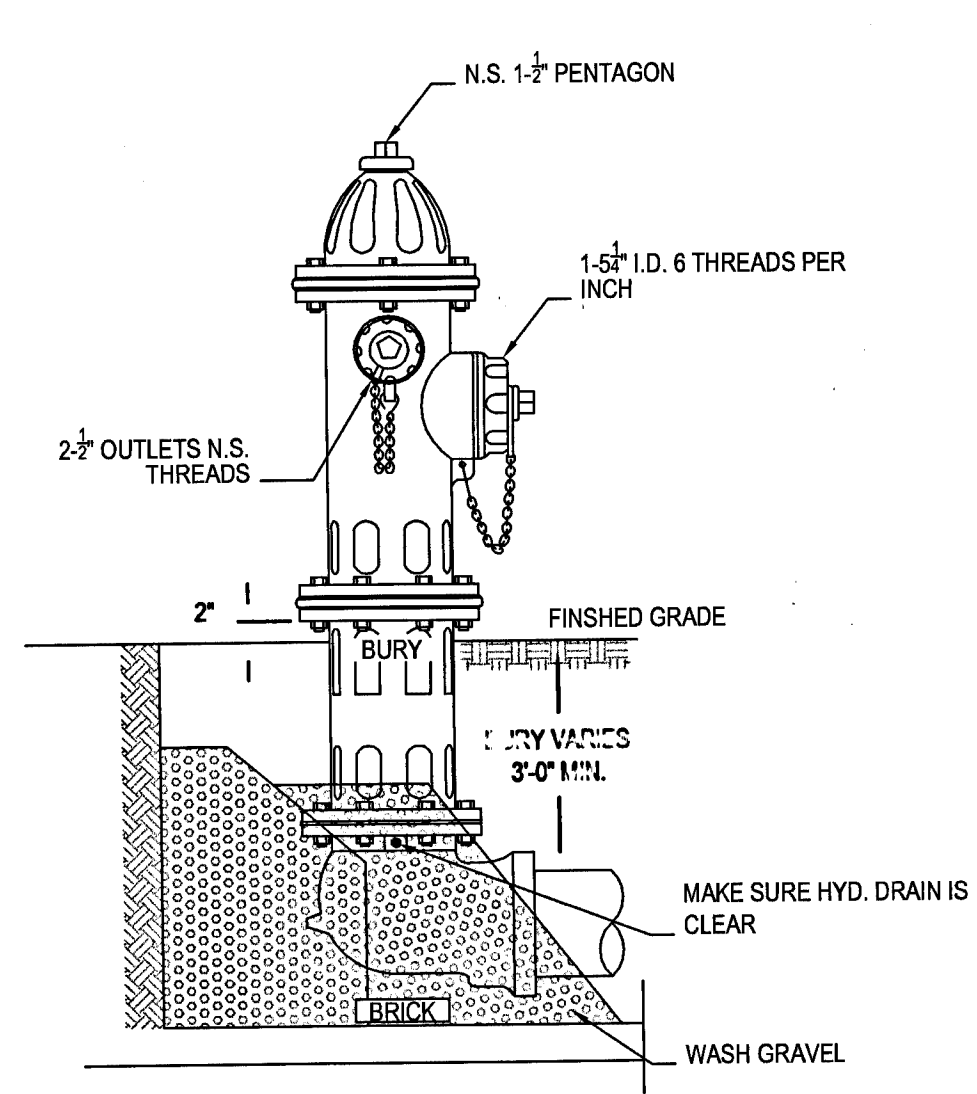
SCALE: 1" = 50'  
DATE: August 2009  
PROJECT:  

**Vicinity Map  
&  
General Notes**

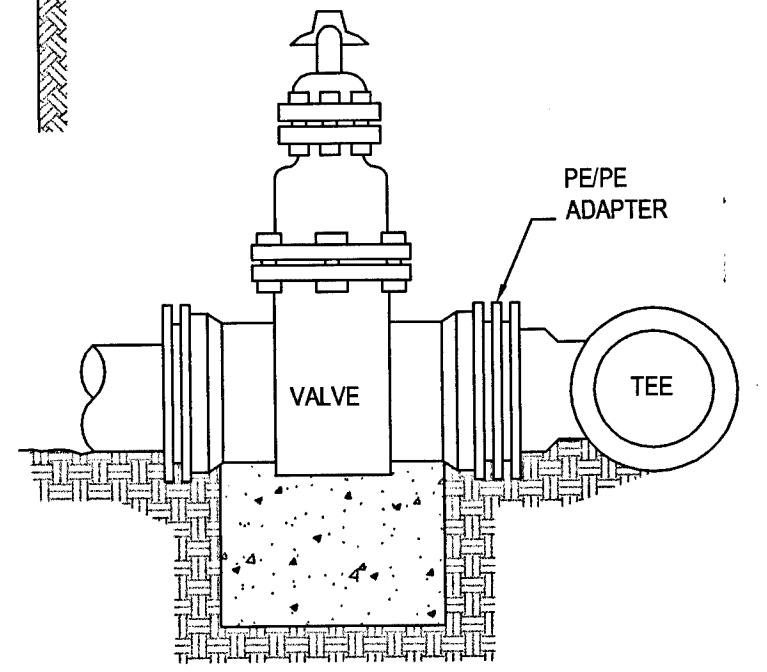




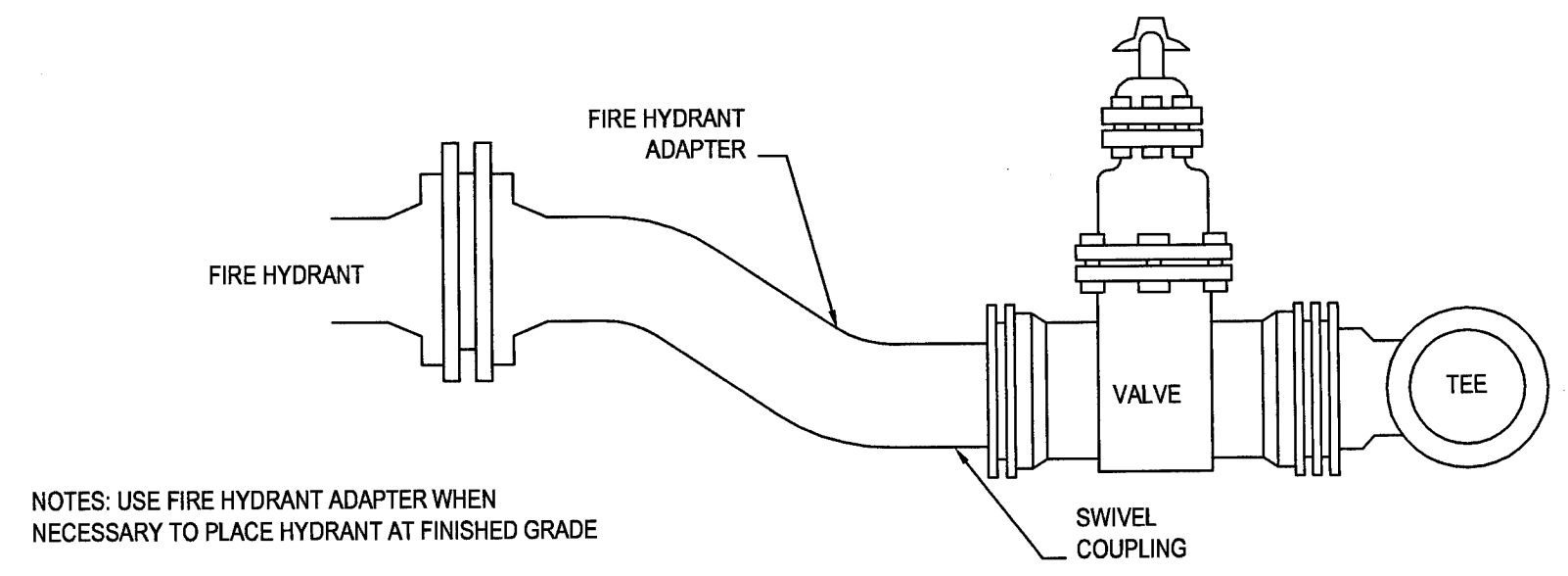
**COLE ROAD**  
**WATER DISTRIBUTION IMPROVEMENTS**  
**PHASE "I"**  
**CITY OF RIDGELAND, MISSISSIPPI**



NOTE: GATE VALVES WILL BE REQUIRED ON ALL FIRE HYDRANT LEGS

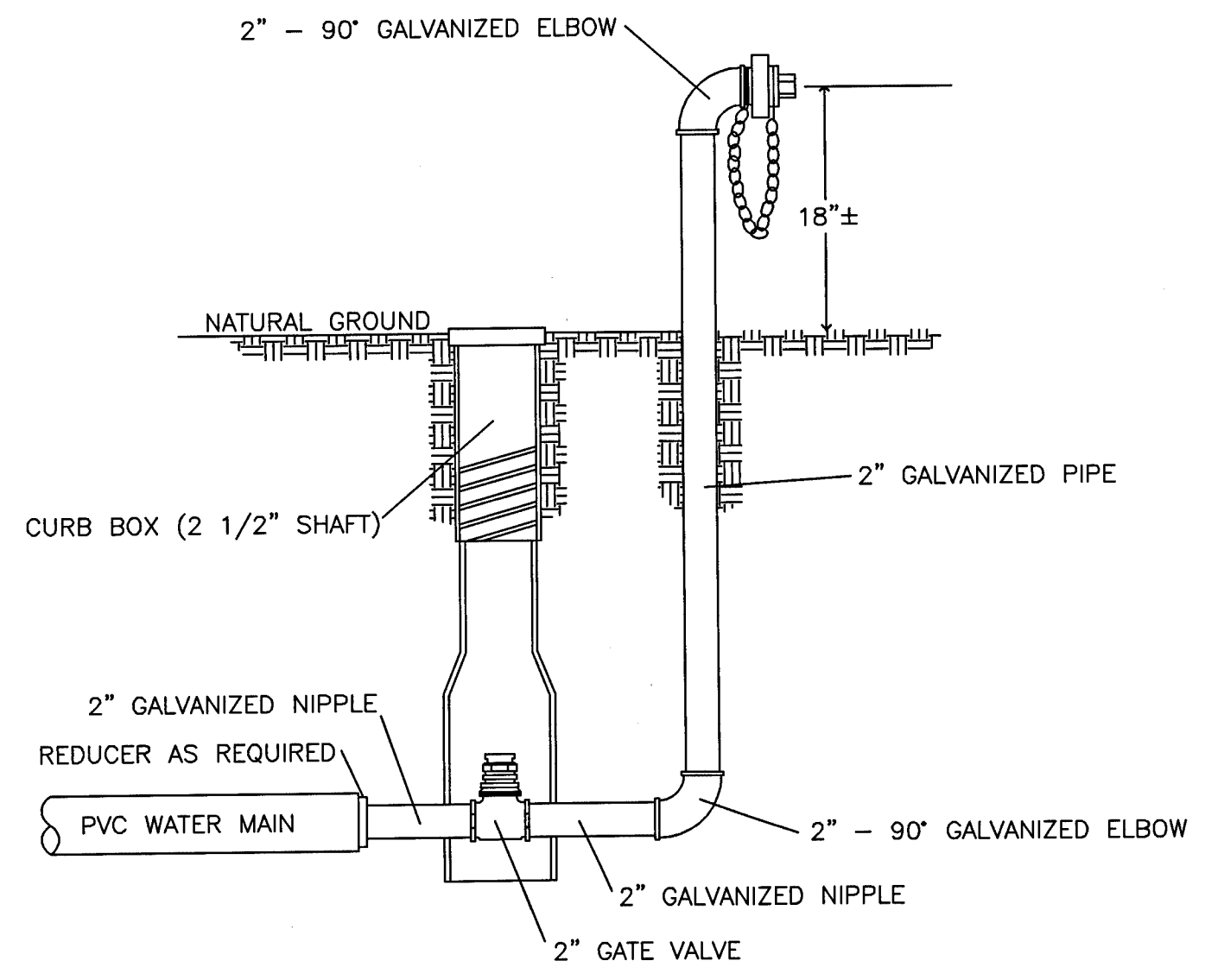


**TYPICAL FIRE HYDRANT INSTALLATION**  
SCALE: N.T.S.

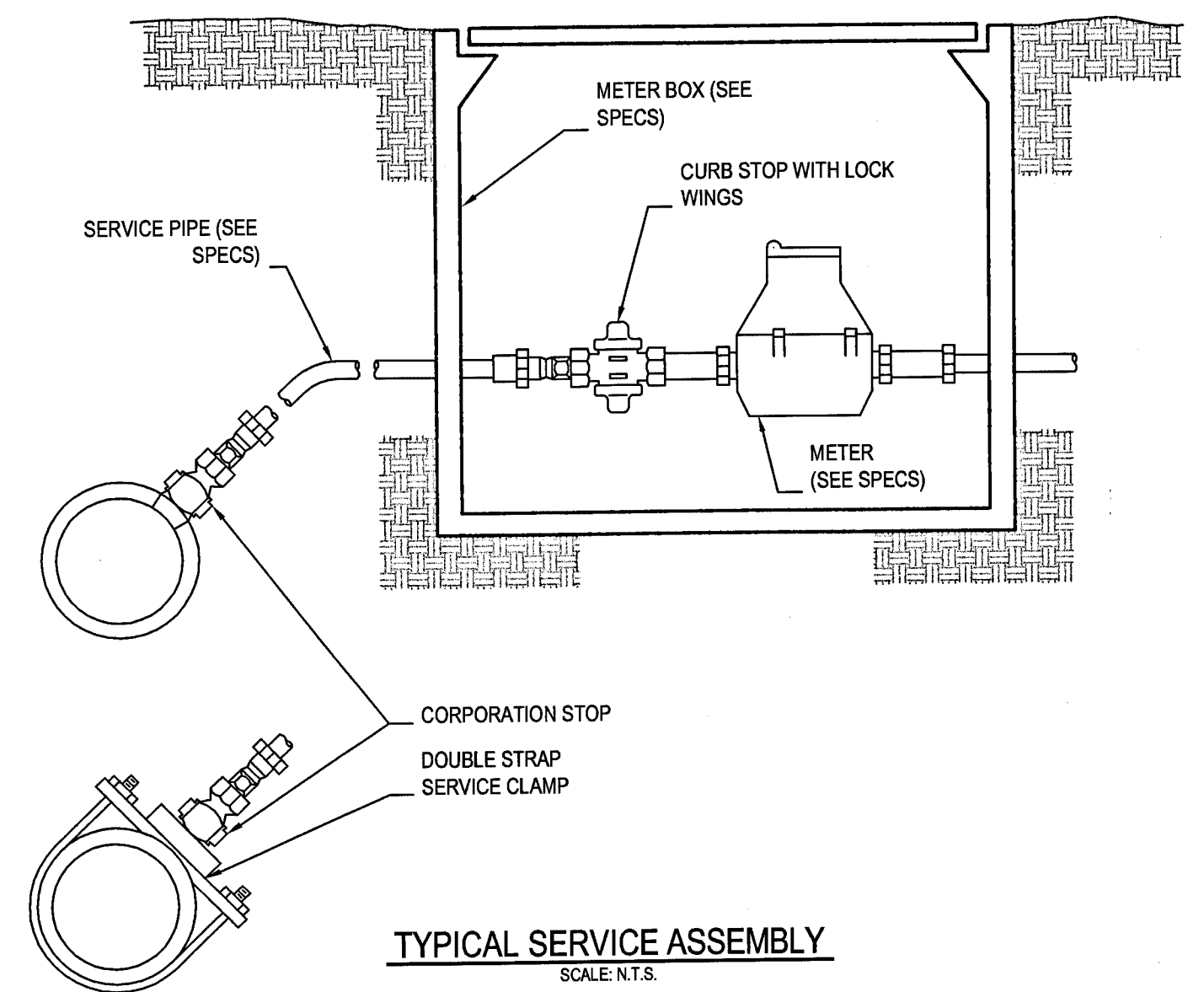


NOTES: USE FIRE HYDRANT ADAPTER WHEN NECESSARY TO PLACE HYDRANT AT FINISHED GRADE

**FIRE HYDRANT ADAPTER**  
SCALE: N.T.S.



**BLOW-OFF ASSEMBLY DETAIL**  
SCALE: N.T.S.



**TYPICAL SERVICE ASSEMBLY**  
SCALE: N.T.S.

DRAWING REVISIONS		
NO.	REMARKS	DATE

DESIGNED BY: CTK	SCALE: As Shown
CHECKED BY: CTK	DATE: August 2009
DRAWING TITLE:	PROJECT: W08011

**Construction Details**