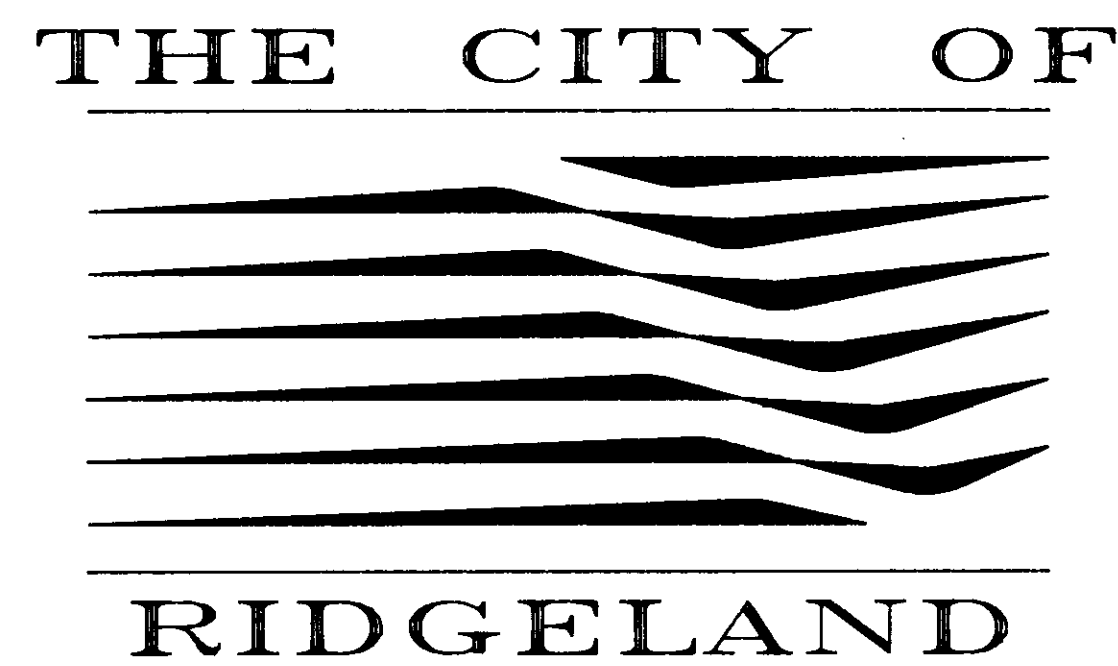


*CITY OF RIDGELAND, MISSISSIPPI
EAST JACKSON STREET EXTENSION
CONCEPTUAL DESIGN*



Mayor:

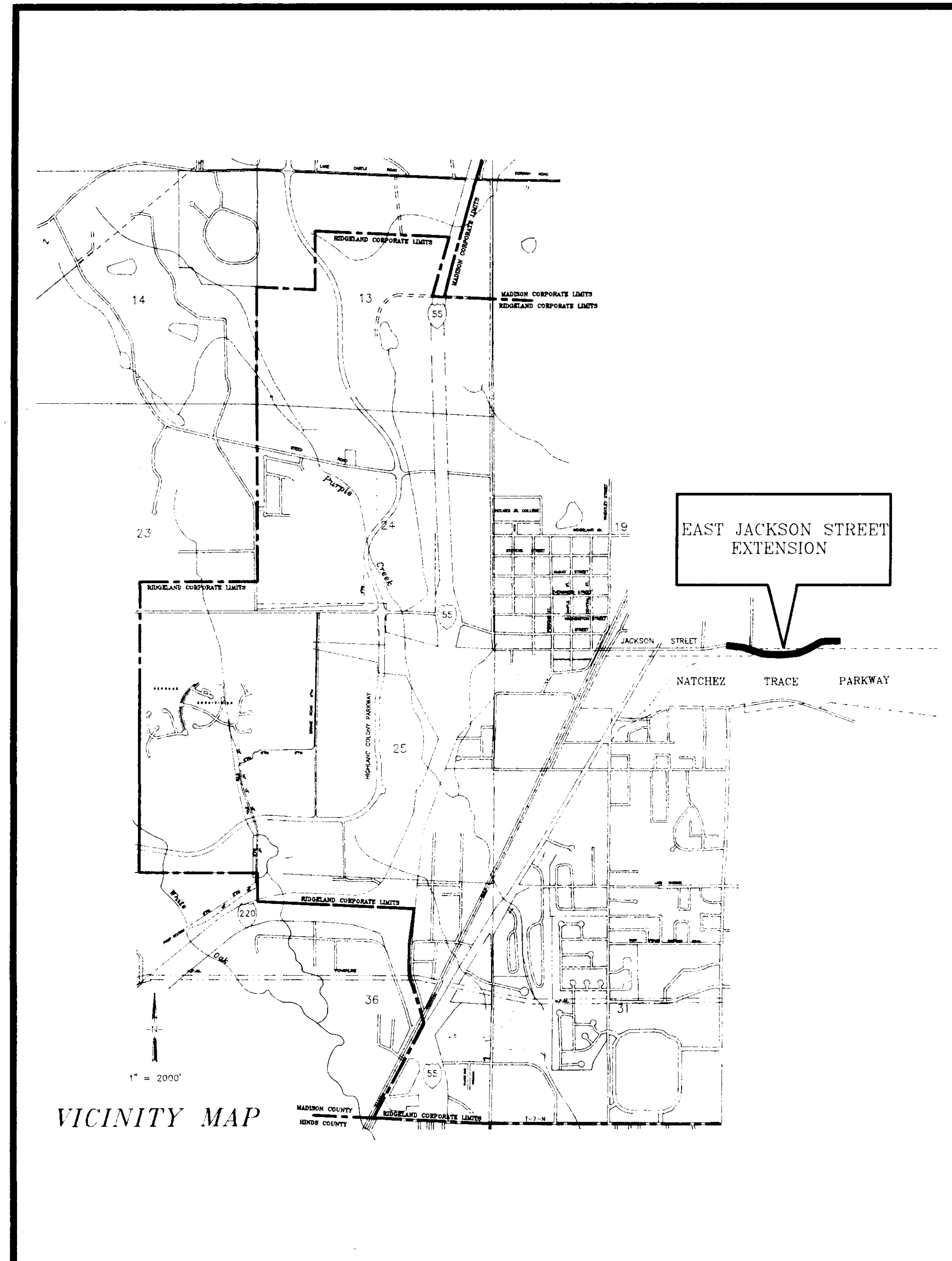
Gene F. McGee

Mayor Pro Tem:

Harvey Carr, Jr.

City Attorney:

Jerry Mills



Aldermen:

Brian Barcellona

Al Bible

Harvey Carr, Jr.

Linda Davis

Daryl Smith

Public Works Director:

Sam Vinson, P.E.

Asst. Public Works Director:

Sid Hawthorne

City Clerk:

Michael McPhearson

Fire Chief:

Elmer Waits

Police Chief:

Charles Newell

JANUARY 1993

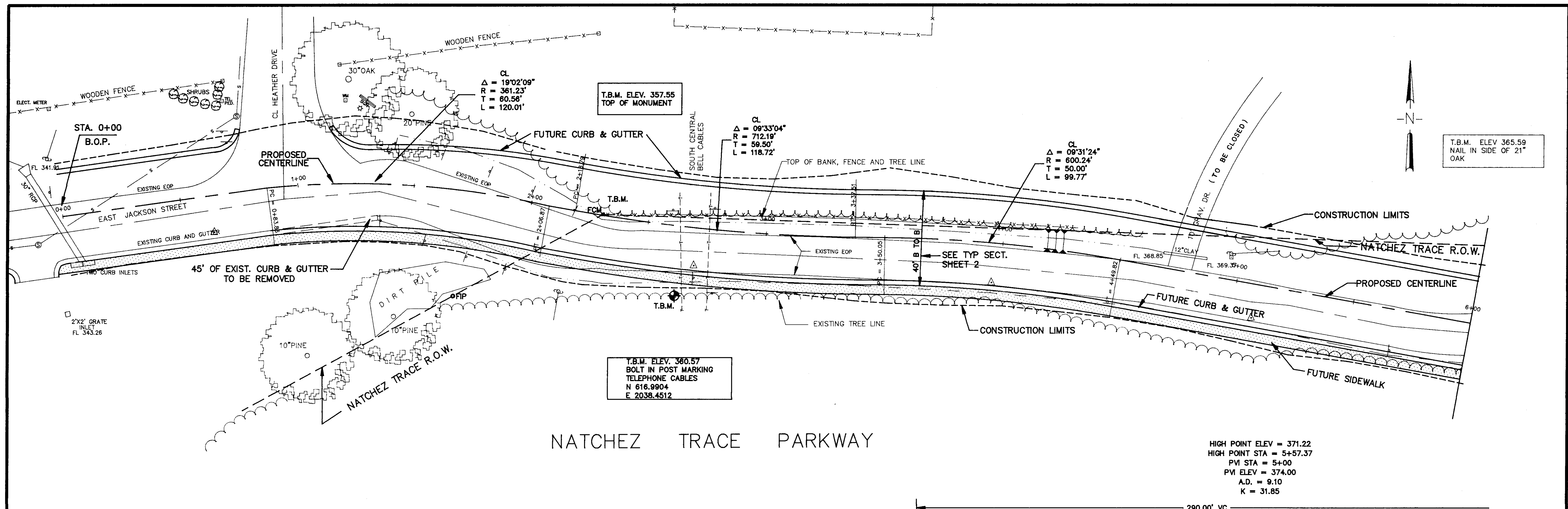
*WAGGONER ENGINEERING, INC.
CONSULTING ENGINEERS*

Jackson / Brandon / Pascagoula, Mississippi

**PRELIMINARY PLANS
NOT FOR CONSTRUCTION**

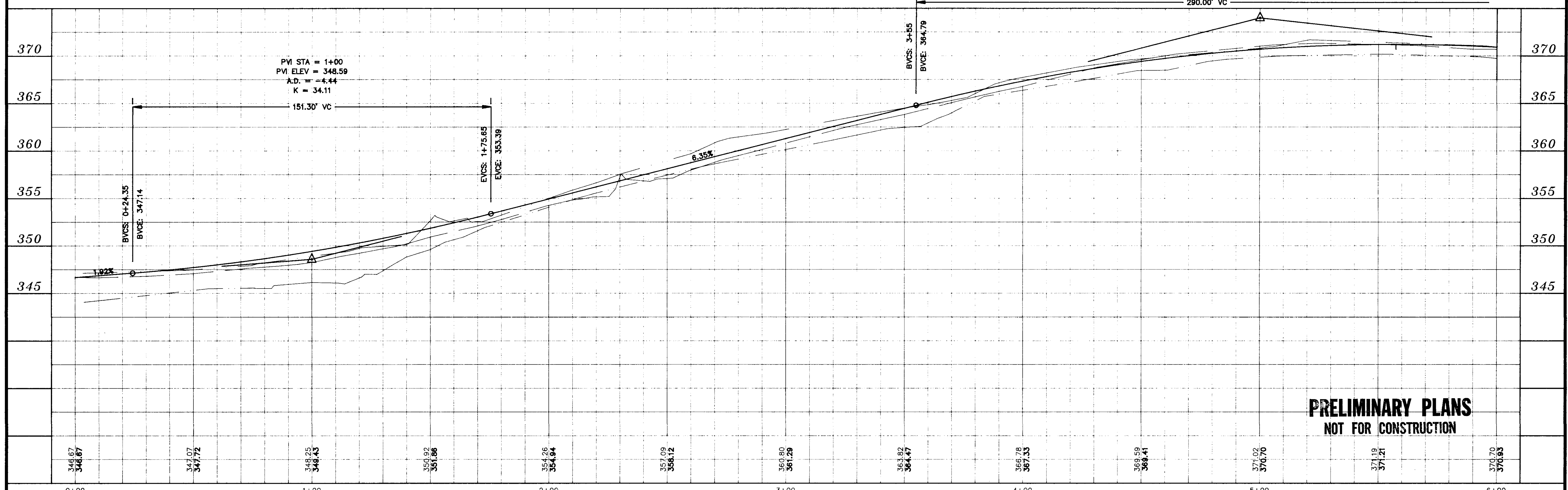
1-15-93

PWP-01005

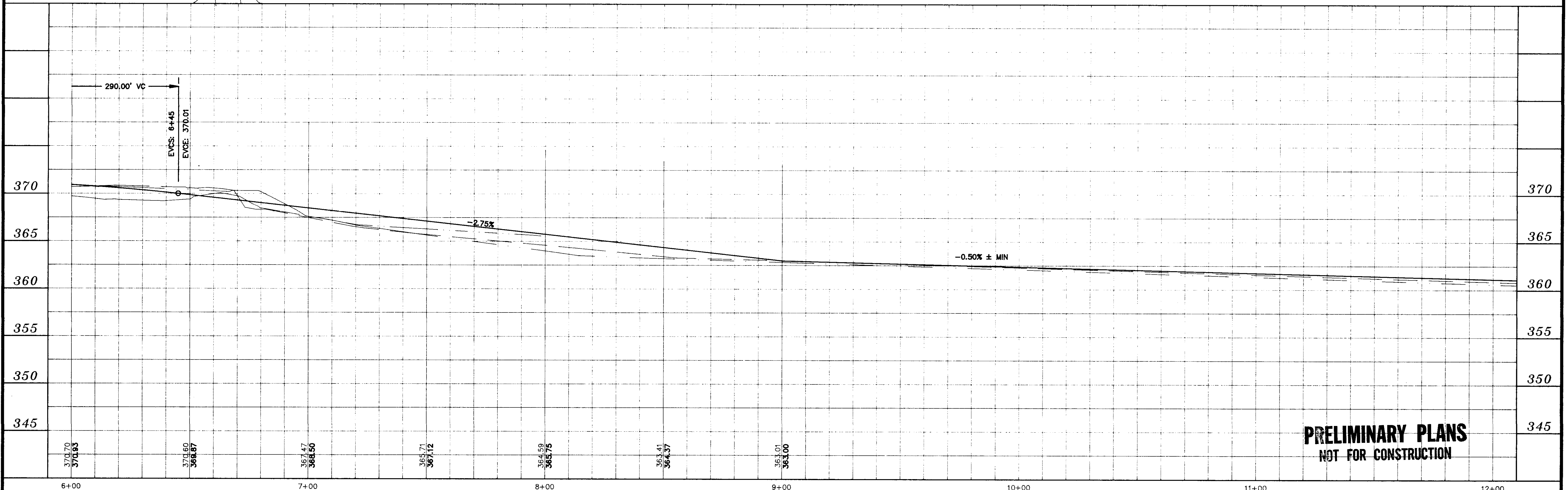
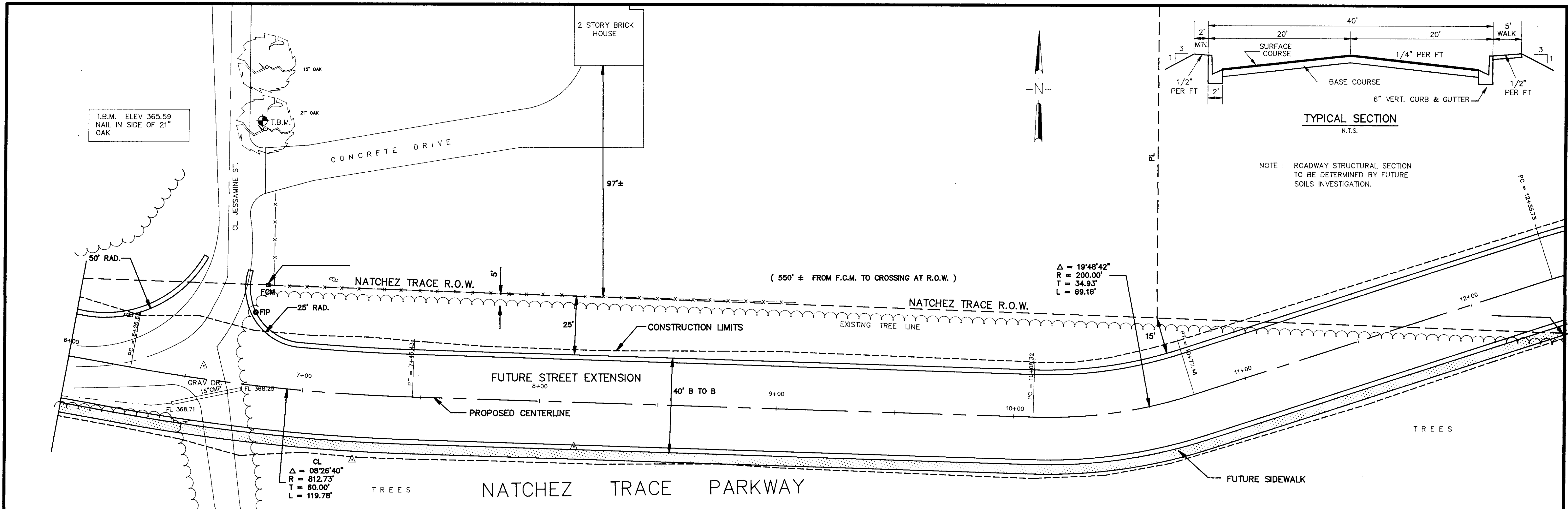


NATCHEZ TRACE PARKWAY

HIGH POINT ELEV = 371.22
HIGH POINT STA = 5+57.37
PVI STA = 5+00
PVI ELEV = 374.00
A.D. = 9.10
K = 31.85

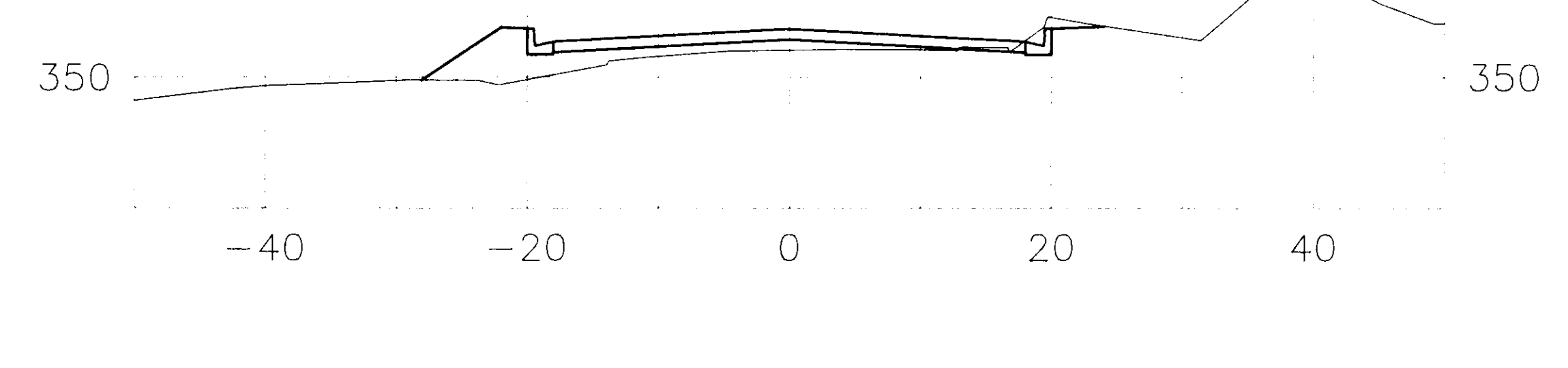
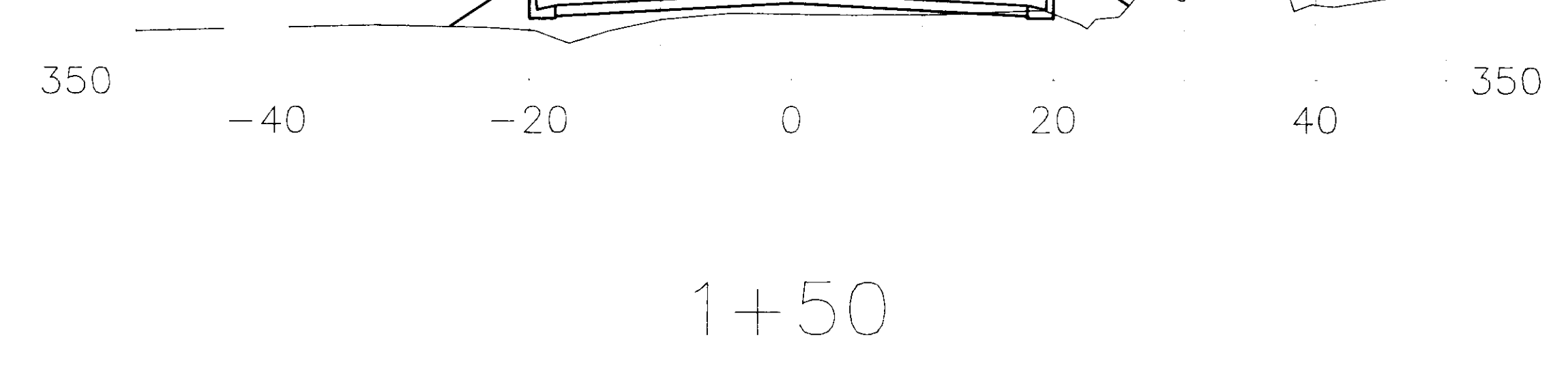
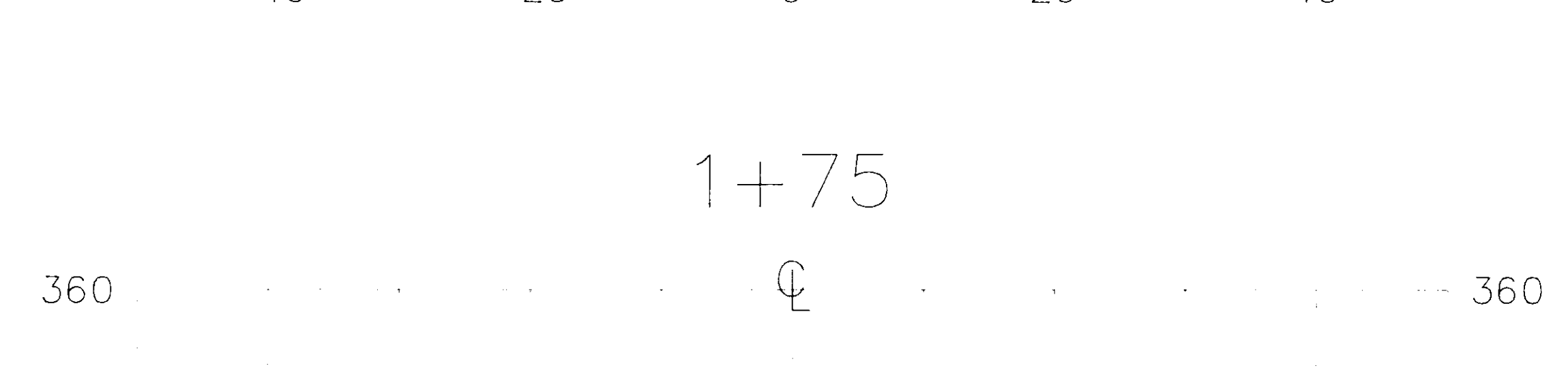
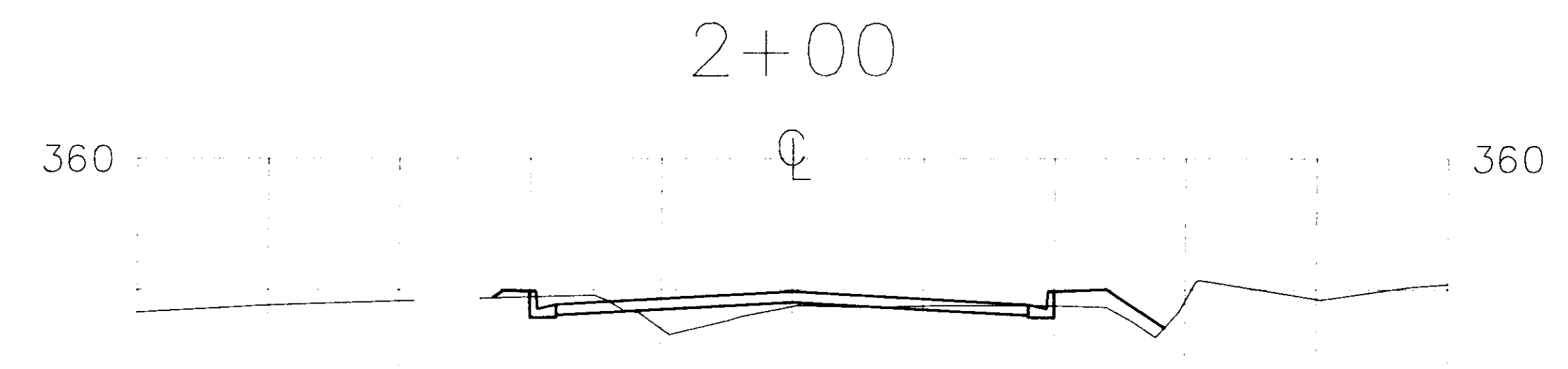
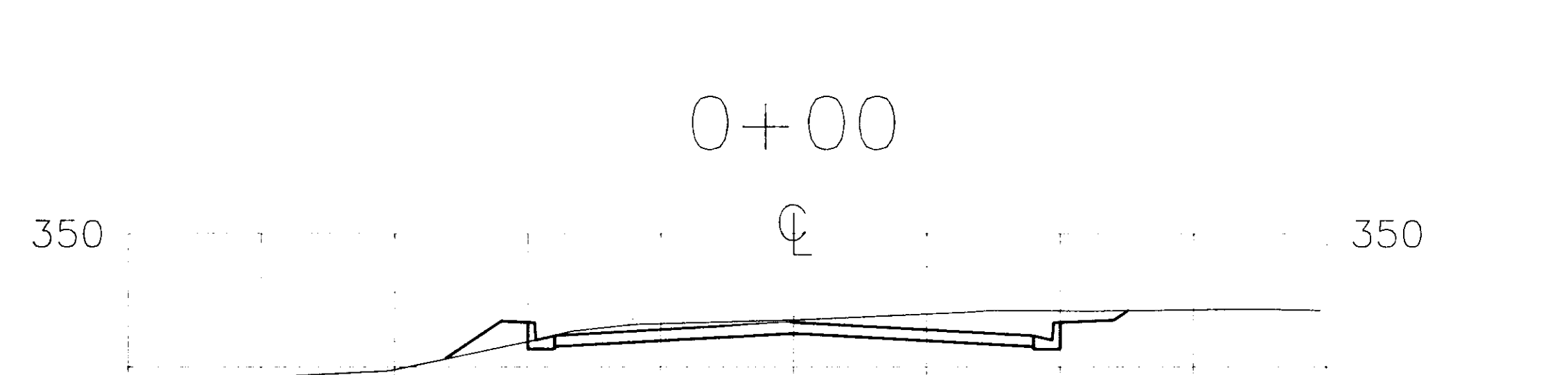
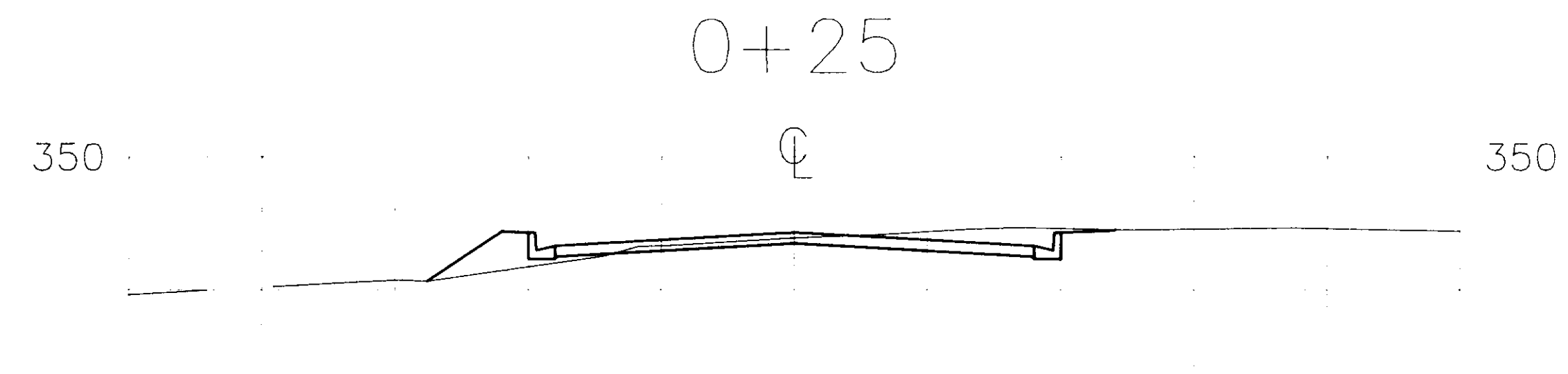
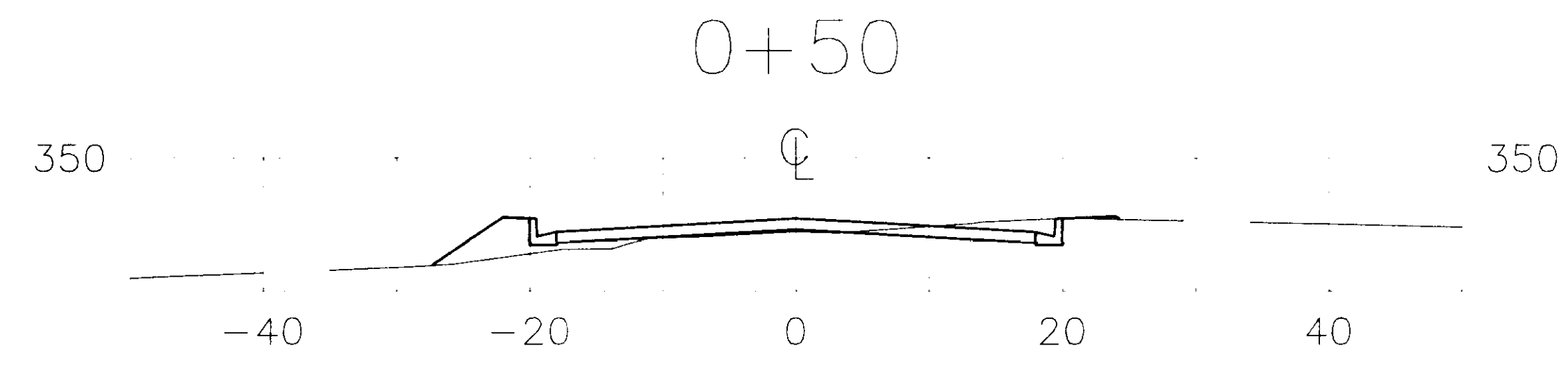
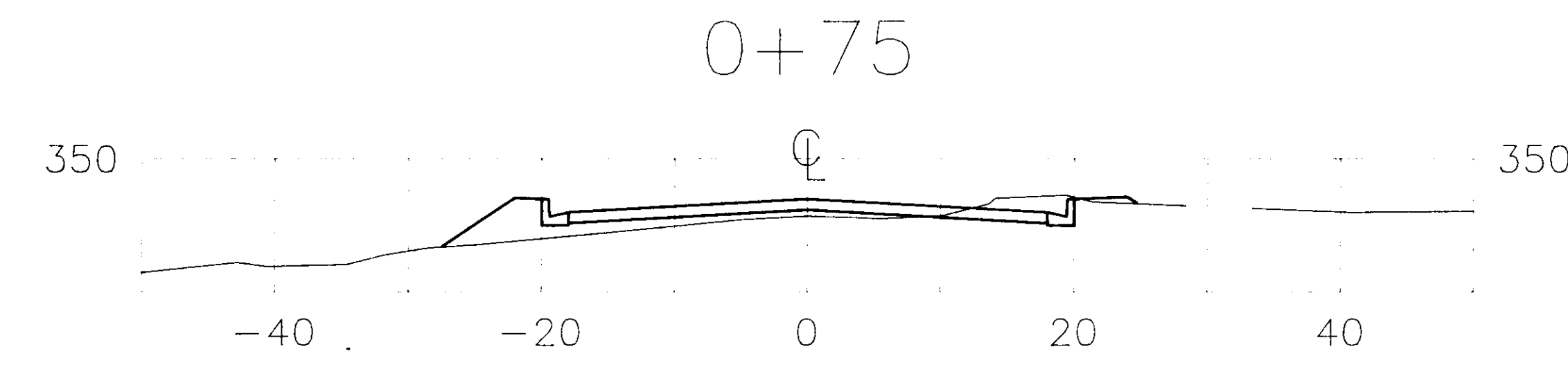
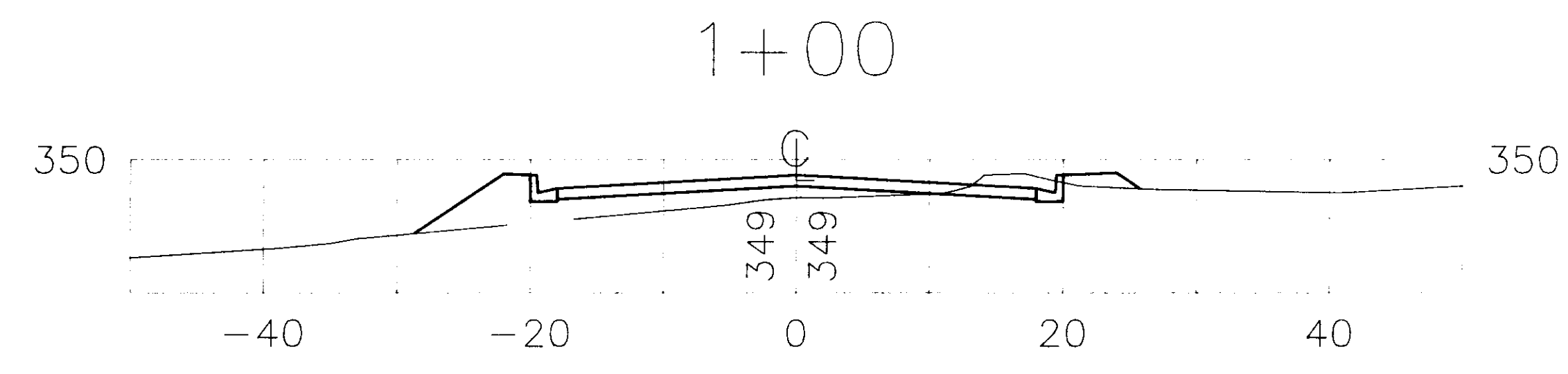


PRELIMINARY PLANS
NOT FOR CONSTRUCTION



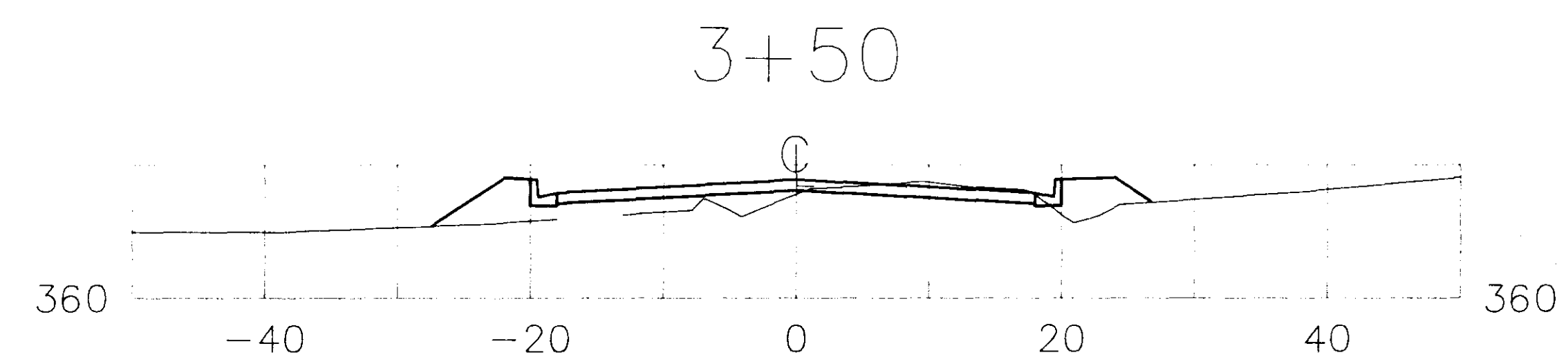
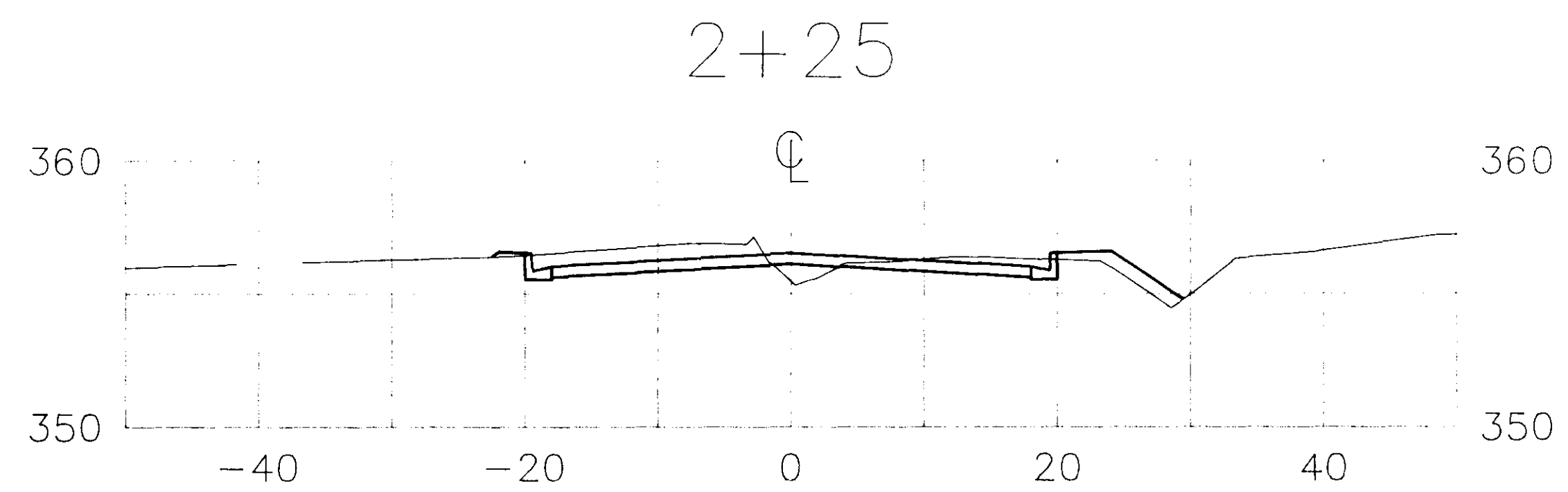
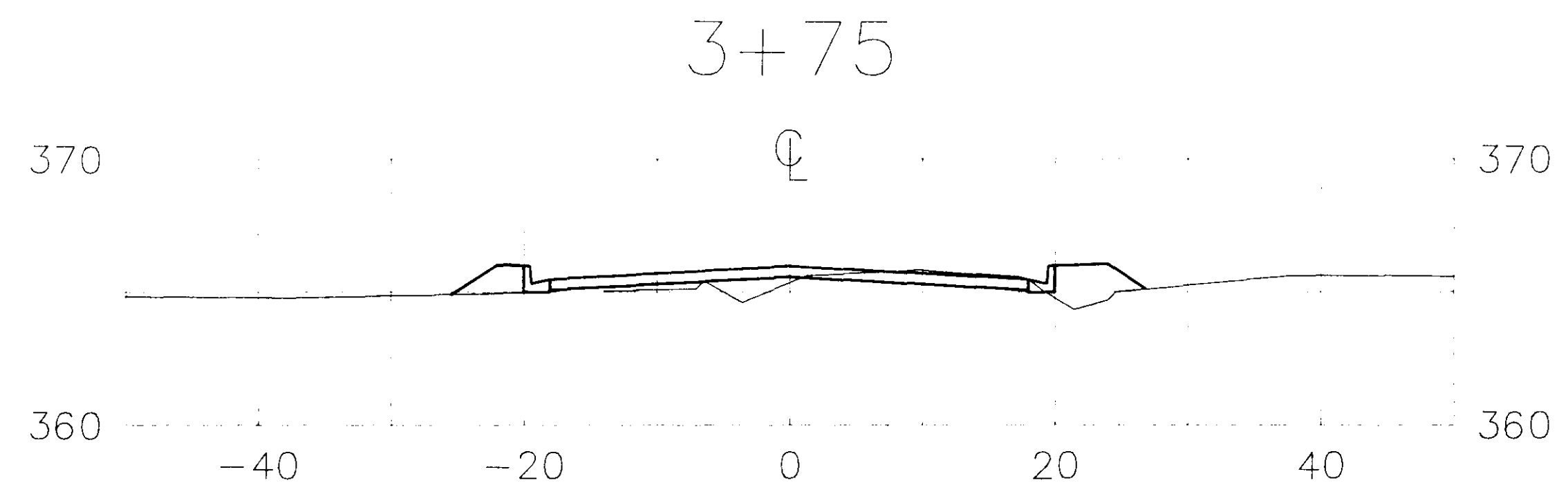
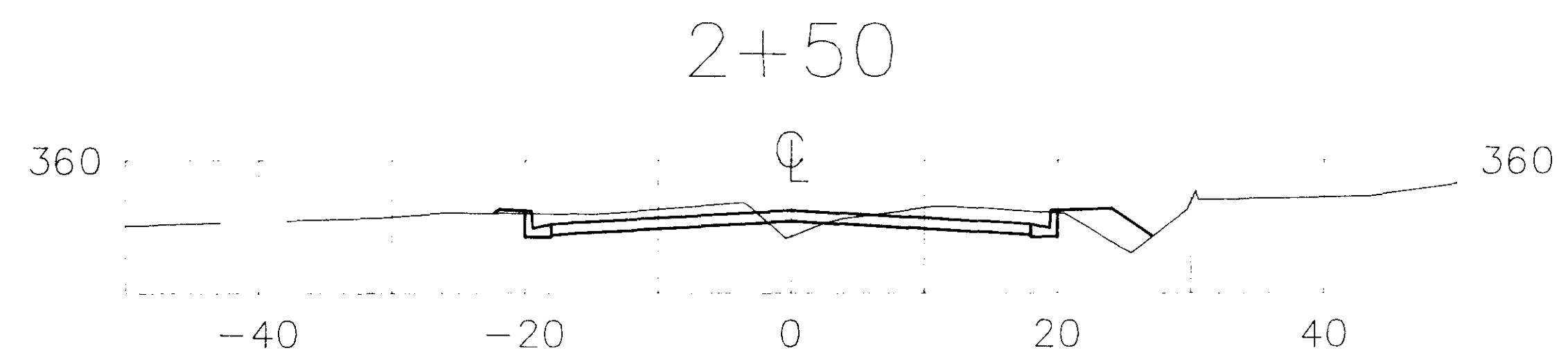
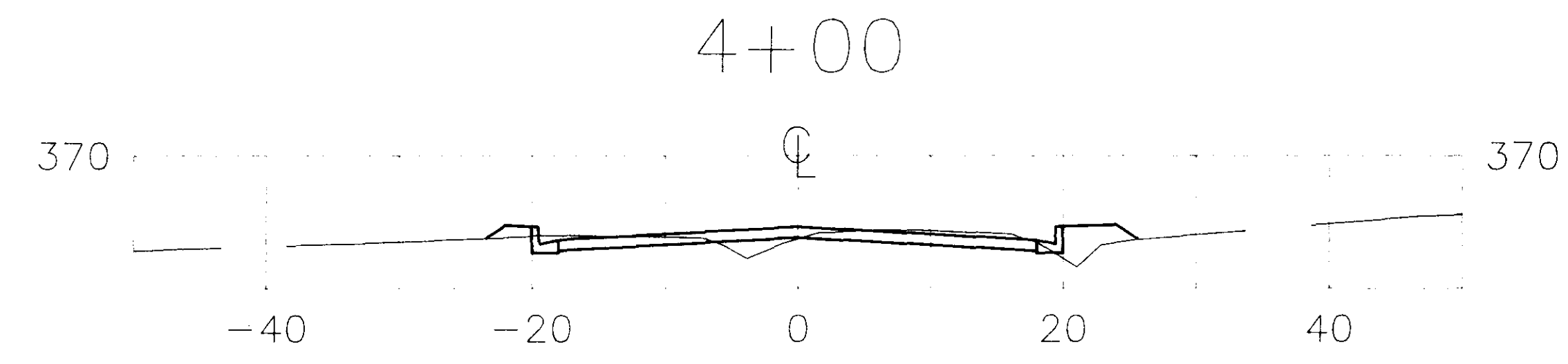
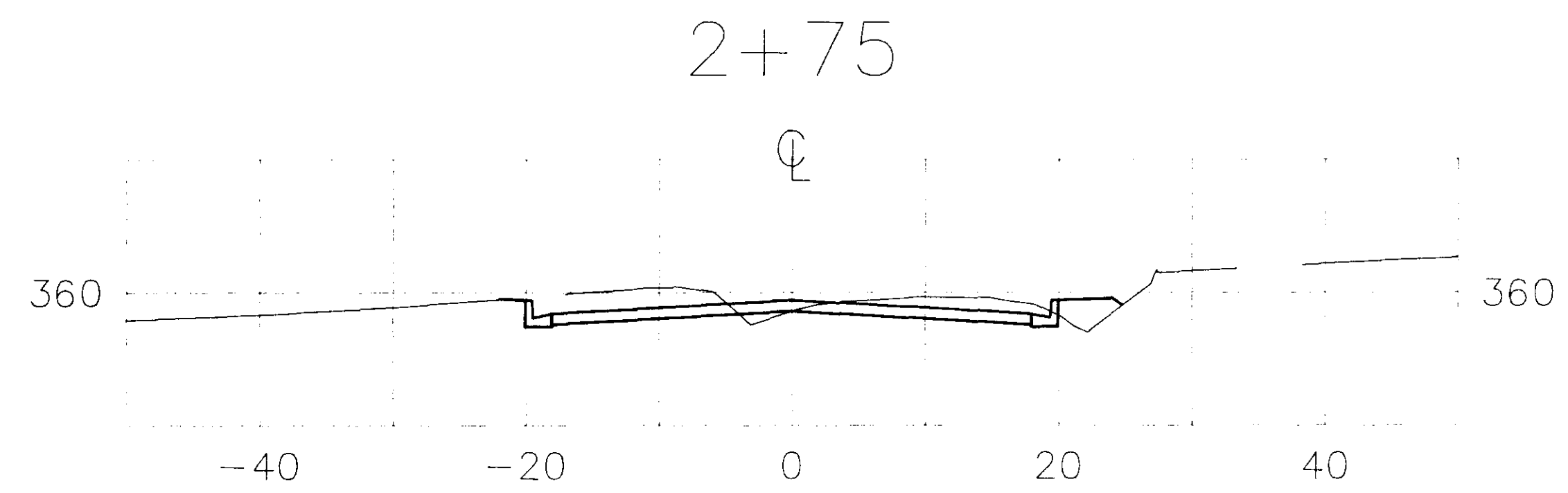
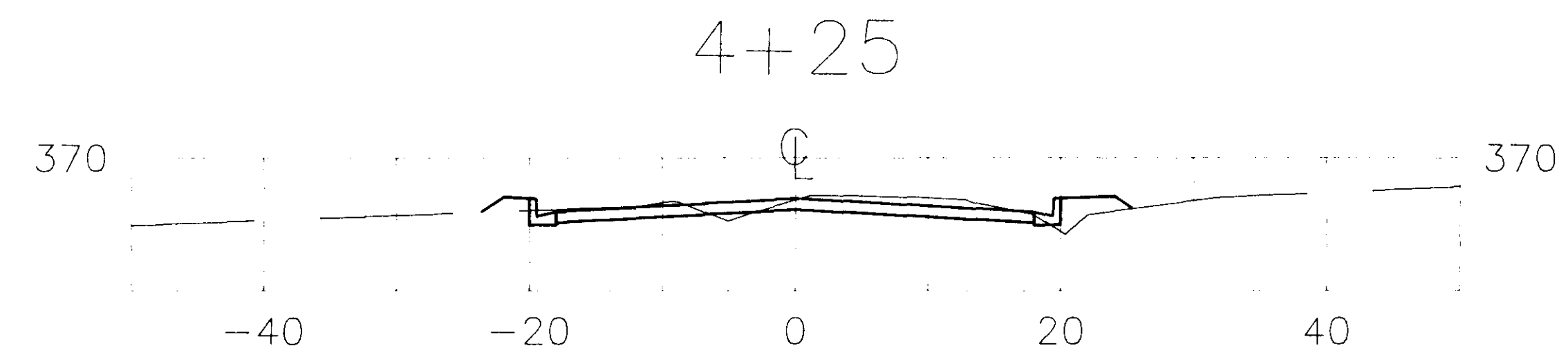
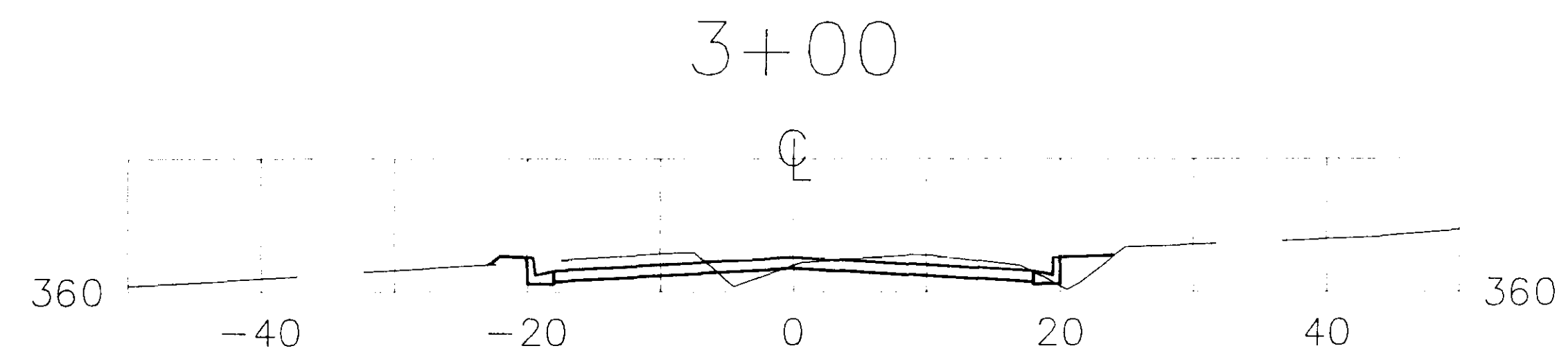
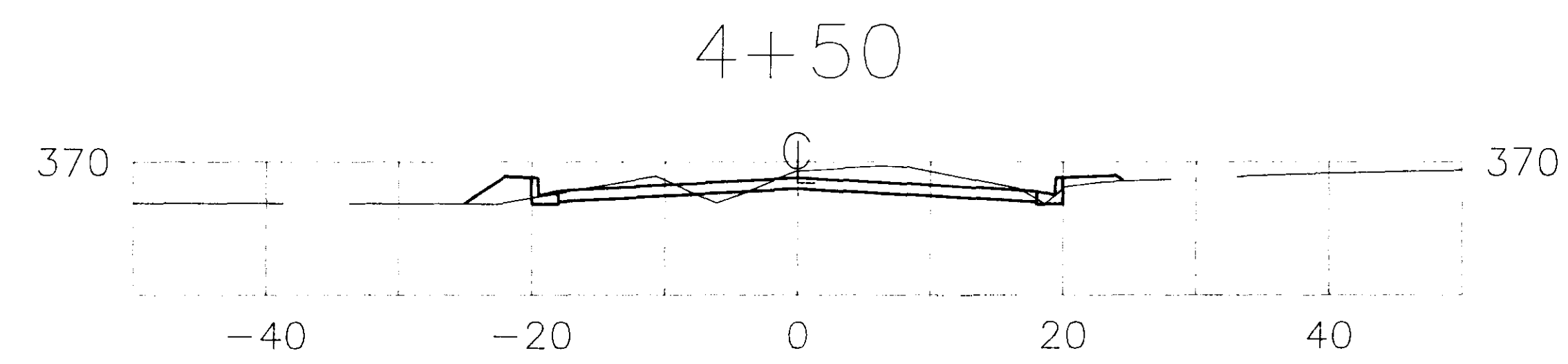
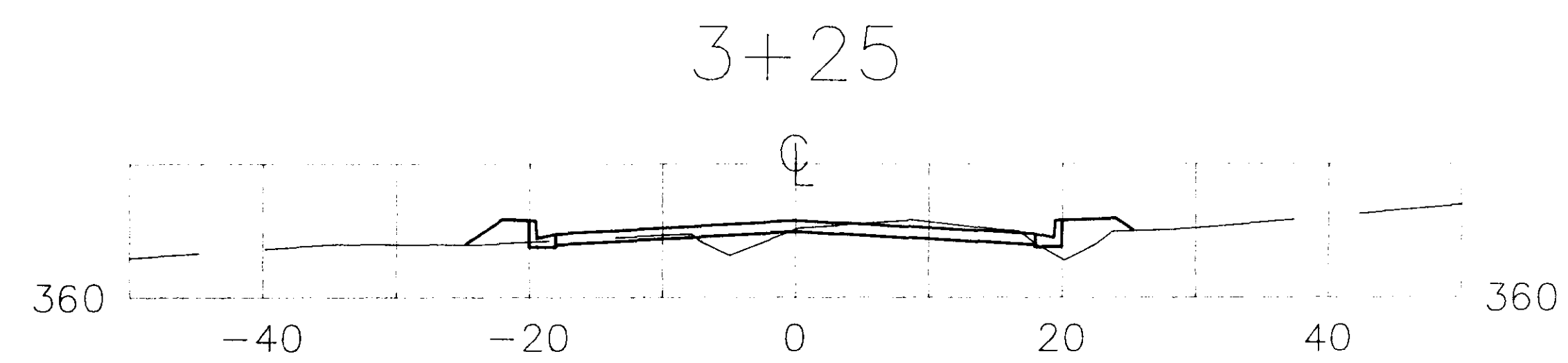
PRELIMINARY PLANS
NOT FOR CONSTRUCTION

DESIGNED H.J.	DATE 1-93	WAGGONER ENGINEERING INC. CONSULTING ENGINEERS JACKSON, MISSISSIPPI	CITY OF RIDGELAND EAST JACKSON STREET IMPROVEMENTS	ACAD PATH ROUTE 92118\PROFILE	W.E.I. JOB NO. 92-118	SHEET NO. 2 OF 6
DRAWN H.J.	SCALE 1" = 20' HORT. 1" = 5' VERT.					
NO.	DATE	BY	REVISIONS			



PRELIMINARY

CITY OF RIDGELAND			
EAST JACKSON STREET IMPROVEMENTS			
CROSS SECTIONS			
WAGGONER ENGINEERING, INC. Consulting Engineers - Jackson, Mississippi			
DRAWN BY: H.L.	DATE: 1-93	SHEET NUMBER	
REVIEWED BY: B.W.	SCALE: 1" = 10' HORIZ. 1" = 5' VERT.	3 OF 6	



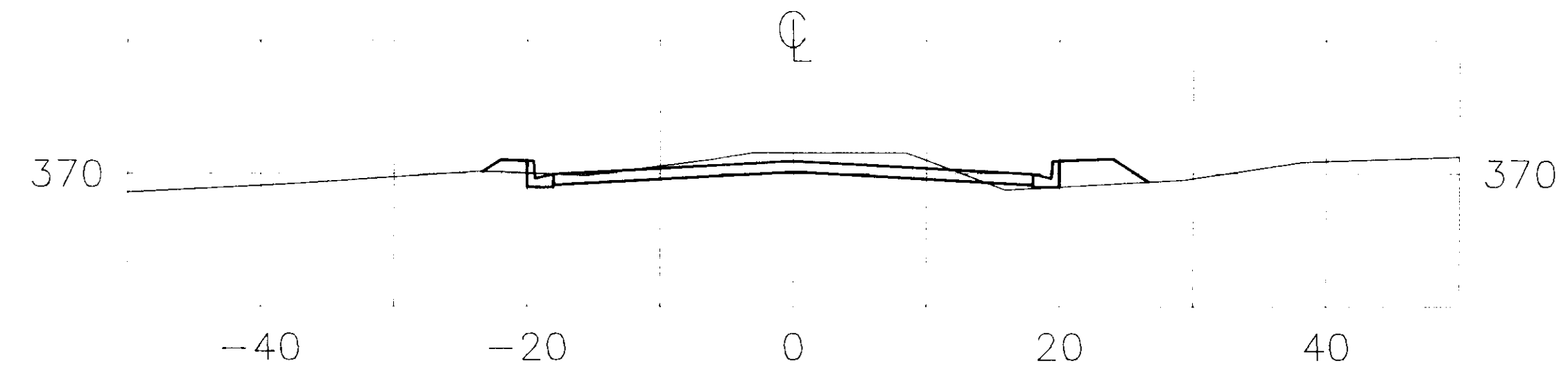
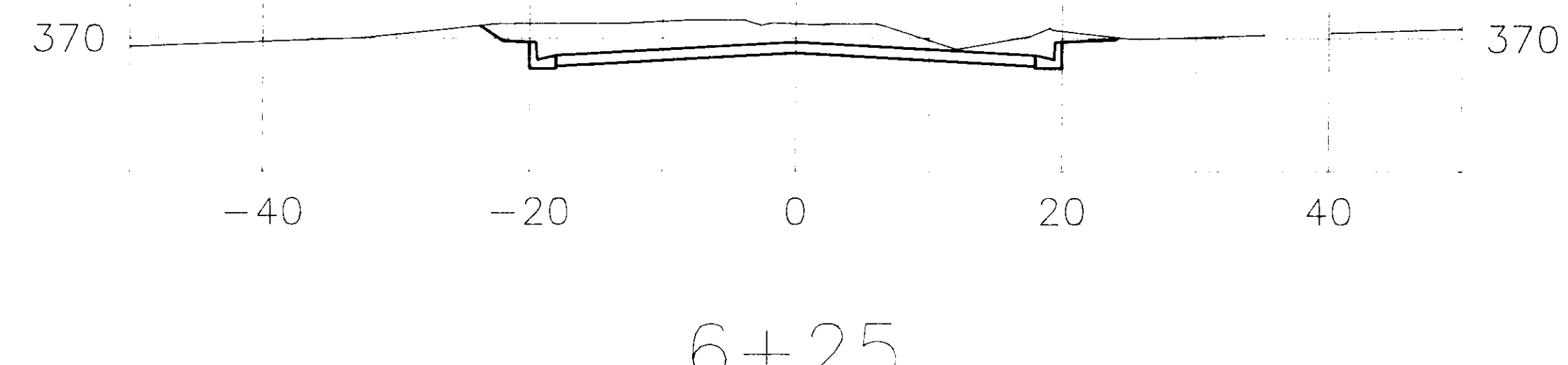
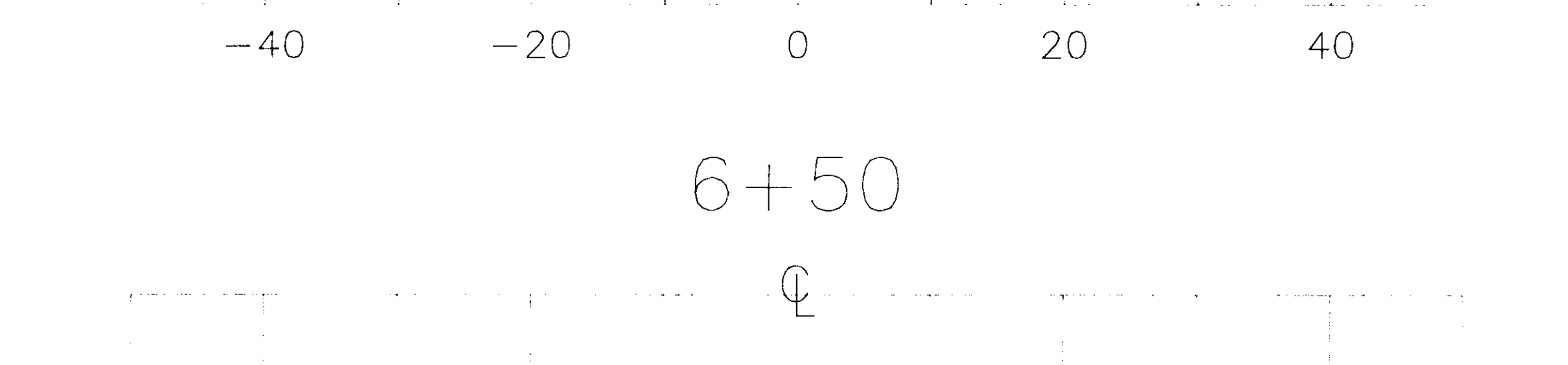
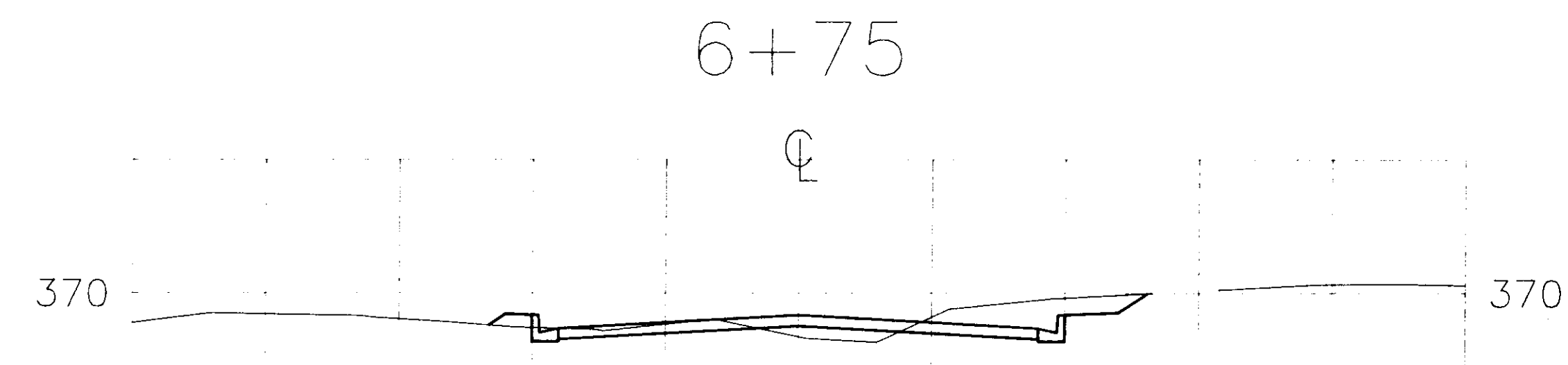
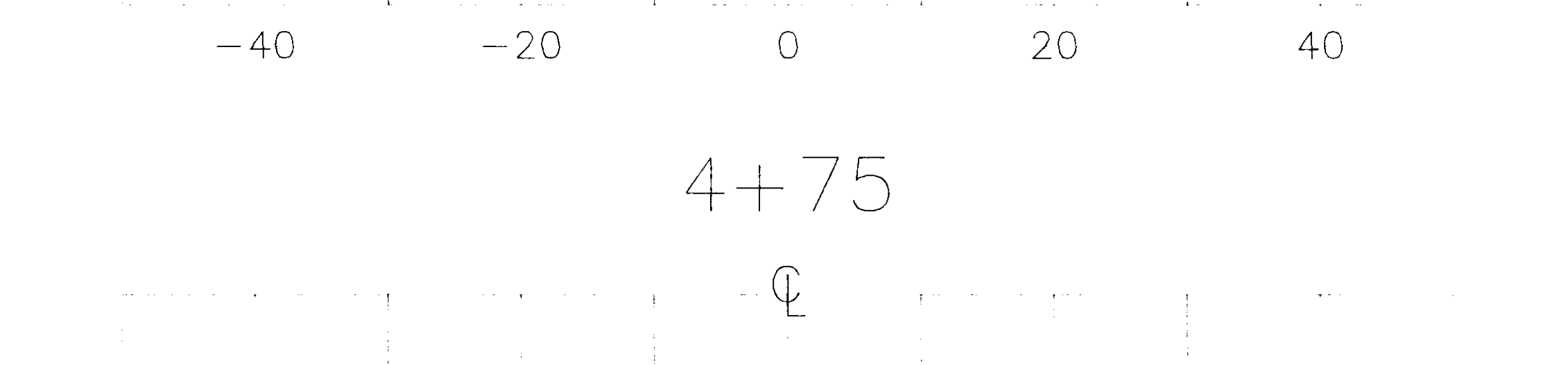
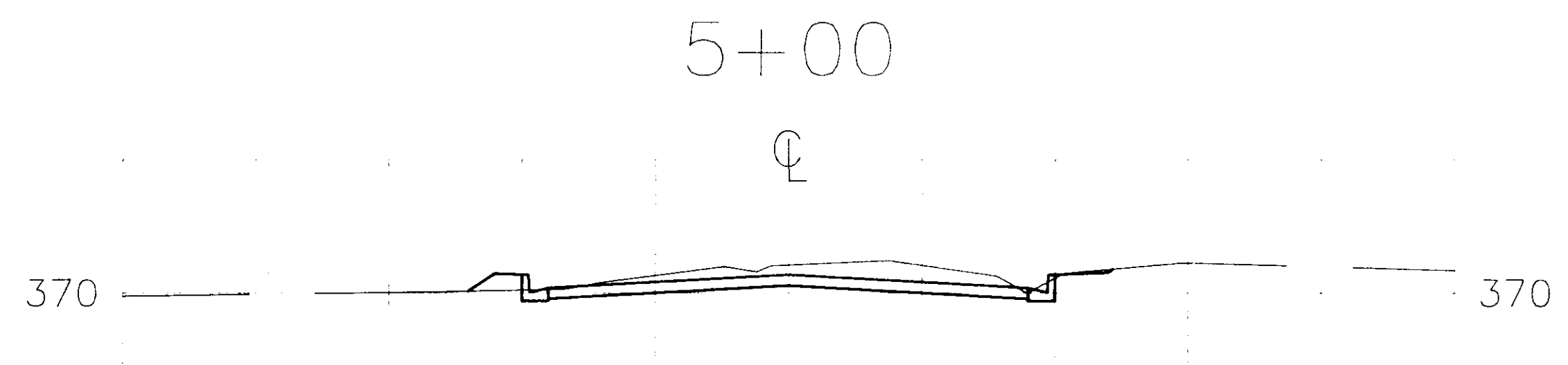
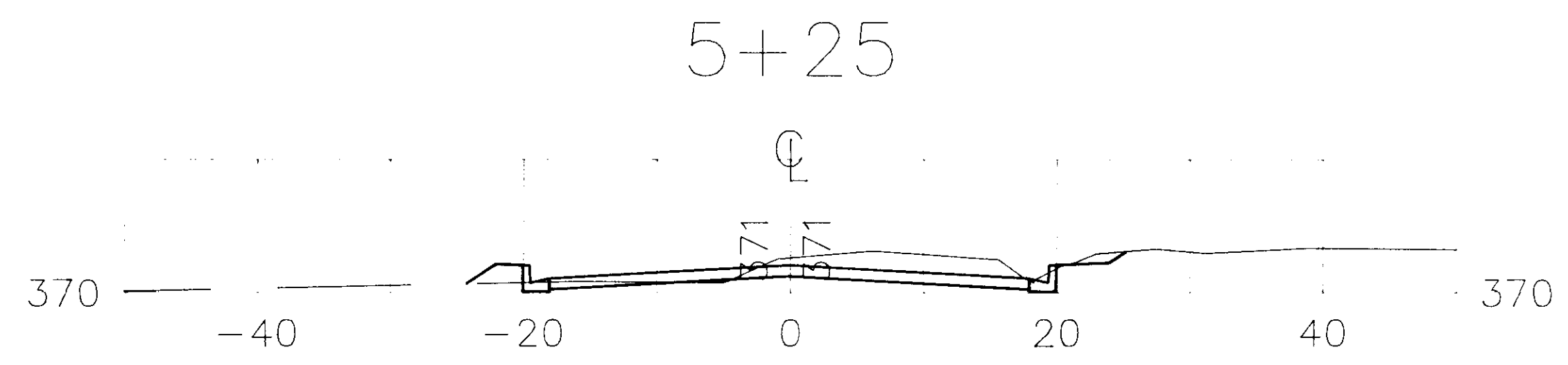
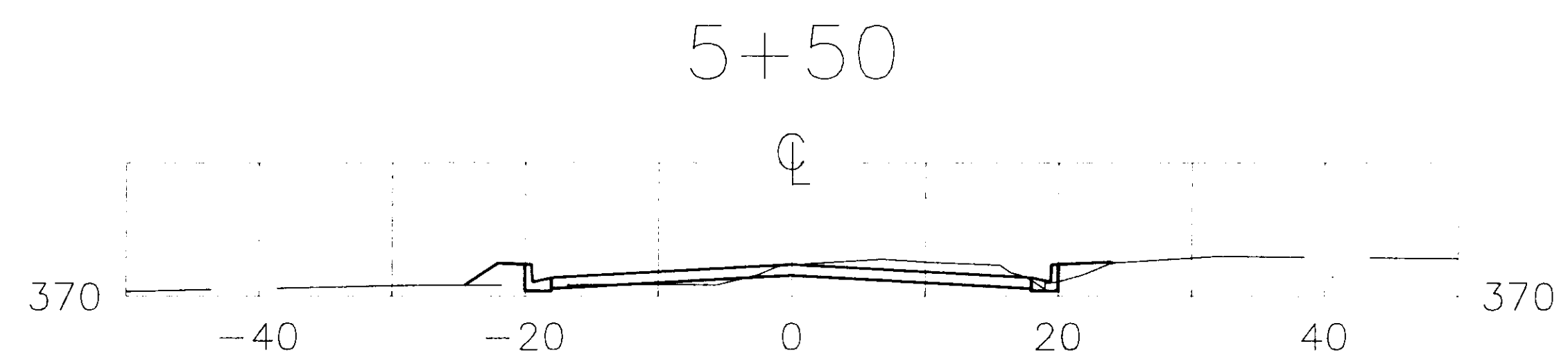
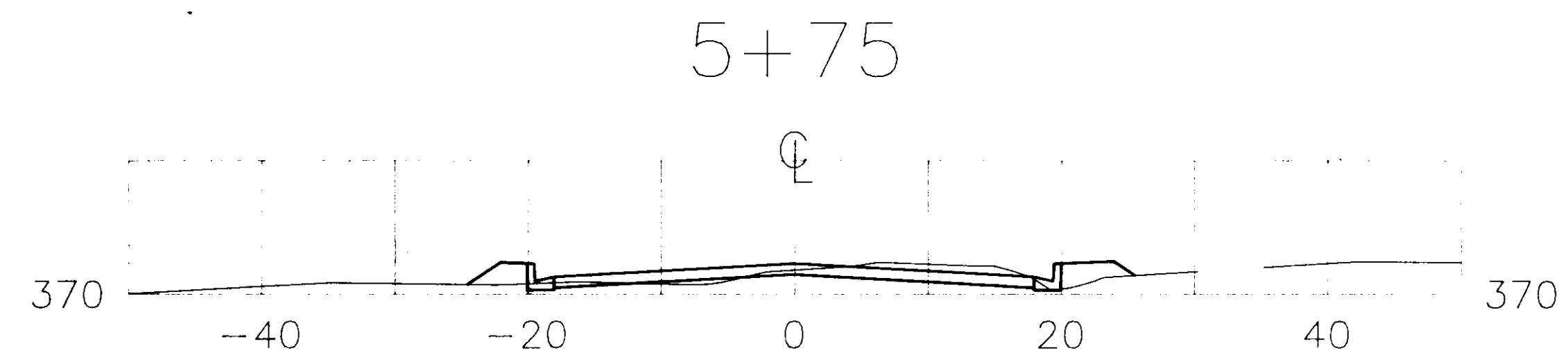
PRELIMINARY

CITY OF RIDGELAND
EAST JACKSON STREET IMPROVEMENTS

CROSS SECTIONS

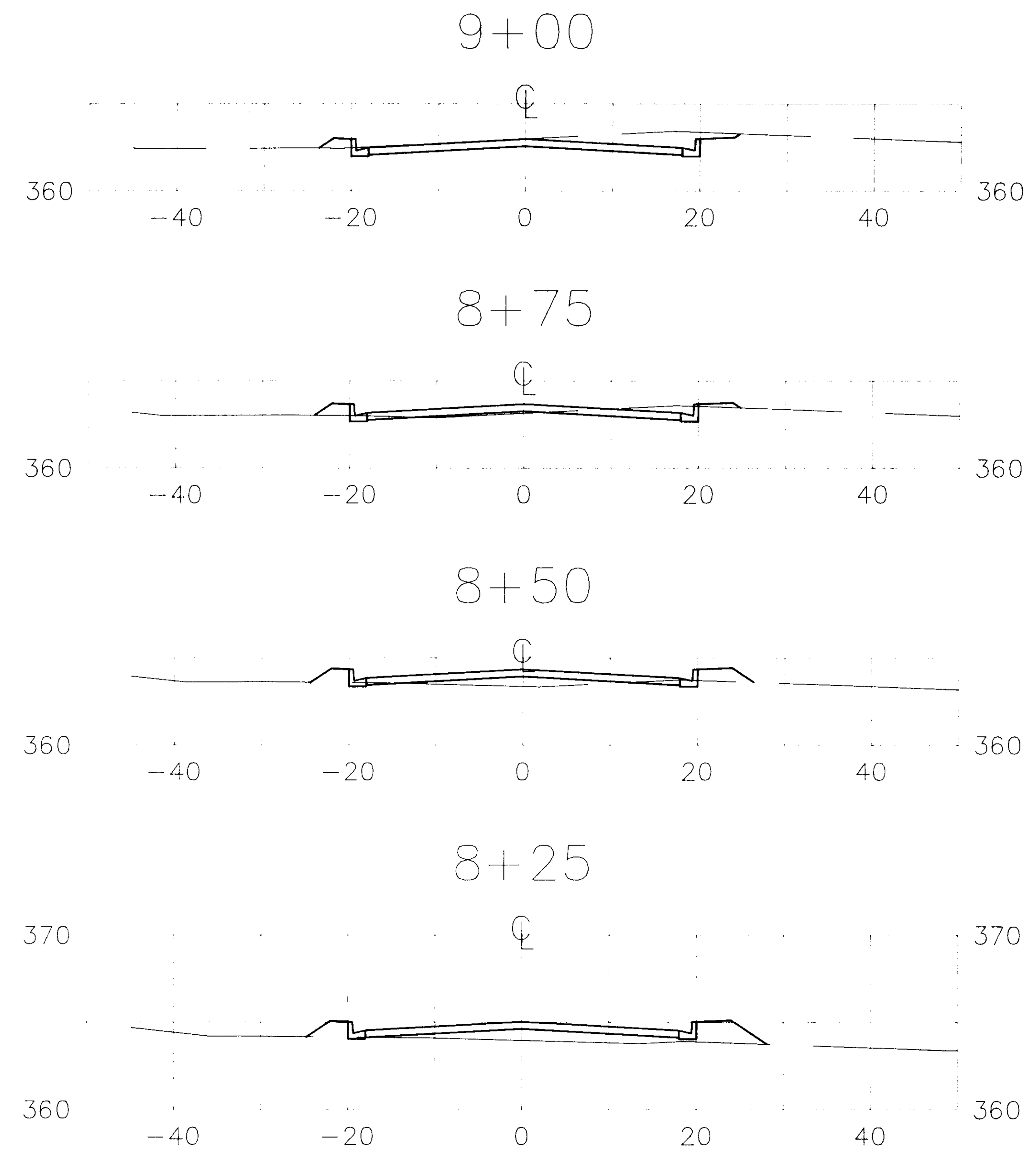
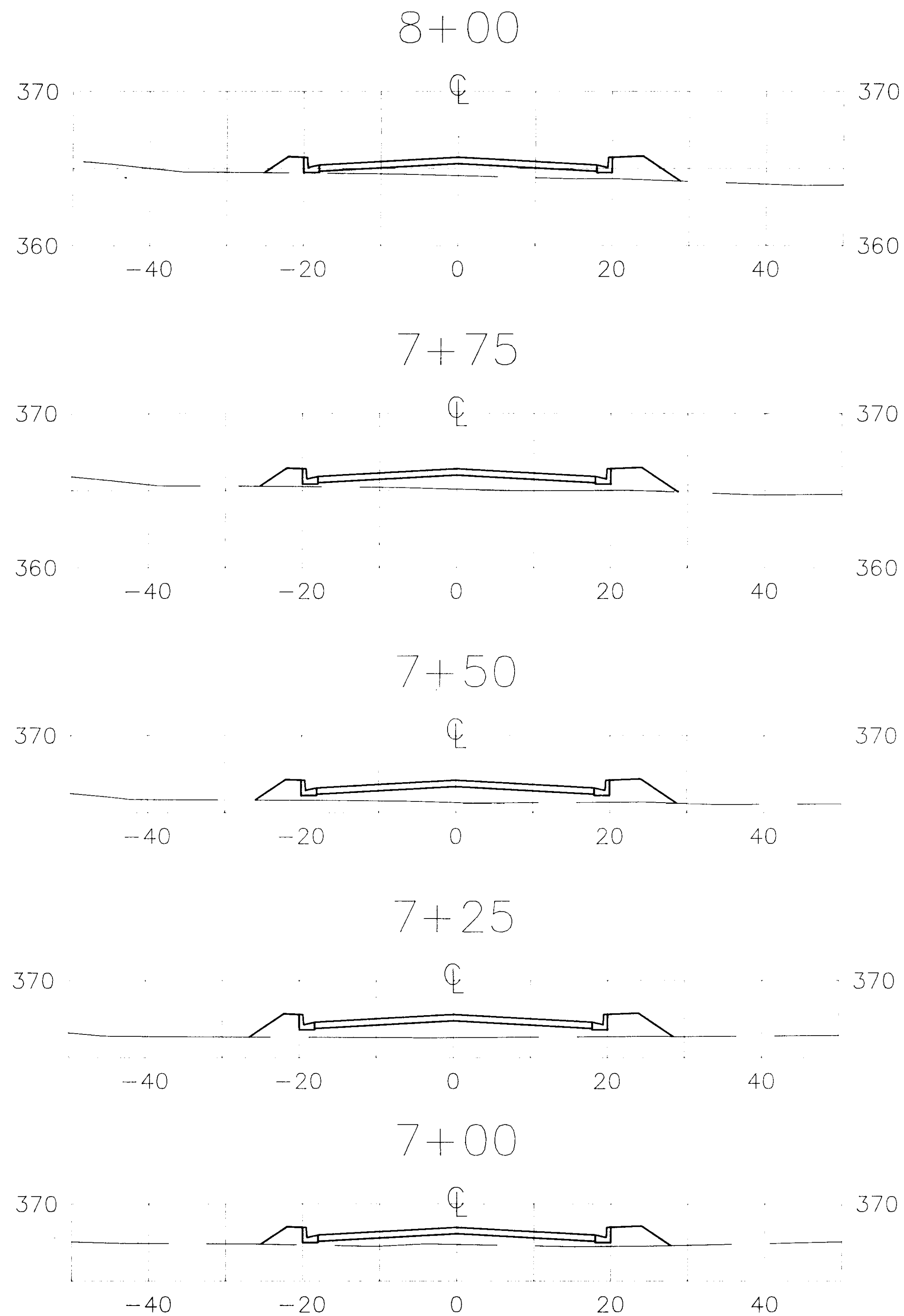
WAGGONER ENGINEERING, INC.
Consulting Engineers - Jackson, Mississippi

DRAWN BY:	H.J.	DATE:	1 - 93	SHEET NUMBER
REVIEWED BY:	B.W.	SCALE:	1" = 10' HORIZ. 1" = 5' VERT.	4 OF 6



PRELIMINARY

CITY OF RIDGELAND			
EAST JACKSON STREET IMPROVEMENTS			
CROSS SECTIONS			
WAGGONER ENGINEERING, INC. Consulting Engineers - Jackson, Mississippi			
DRAWN BY: R.L.	DATE: 1 - 93	SHEET NUMBER	
REVIEWED BY: B.W.	SCALE: 1" = 10' HORIZ. 1" = 5' VERT.	5 OF 6	



PRELIMINARY

CITY OF RIDGELAND
EAST JACKSON STREET IMPROVEMENTS

CROSS SECTIONS

WAGONER ENGINEERING, INC.
Consulting Engineers - Jackson, Mississippi

DRAWN BY: H.A.	DATE: 1-93	SHEET NUMBER
REVIEWED BY: B.W.	SCALE: 1" = 10' HORIZ. 1" = 5' VERT.	6 OF 6