

**SEWER CONSTRUCTION PLANS**  
*LAKE HARBOUR Rd & S. PEAR ORCHARD Rd, CATES PLAZA*

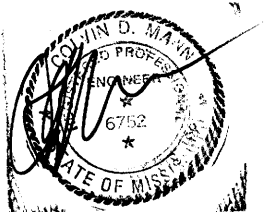
**F O R**

**JR. FOOD MART**

**RIDGELAND, MS.**

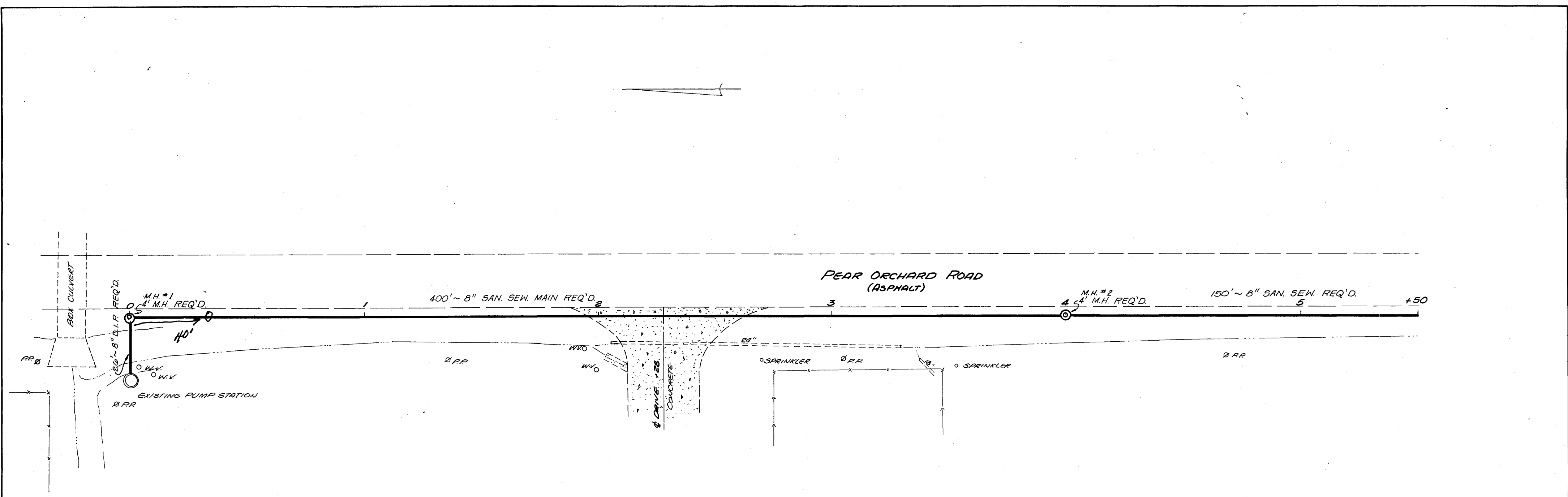
~~84-00008~~  
PWP-01215

PLANS REVIEWED  
CITY OF RIDGELAND  
PERMIT #54 7-27-84

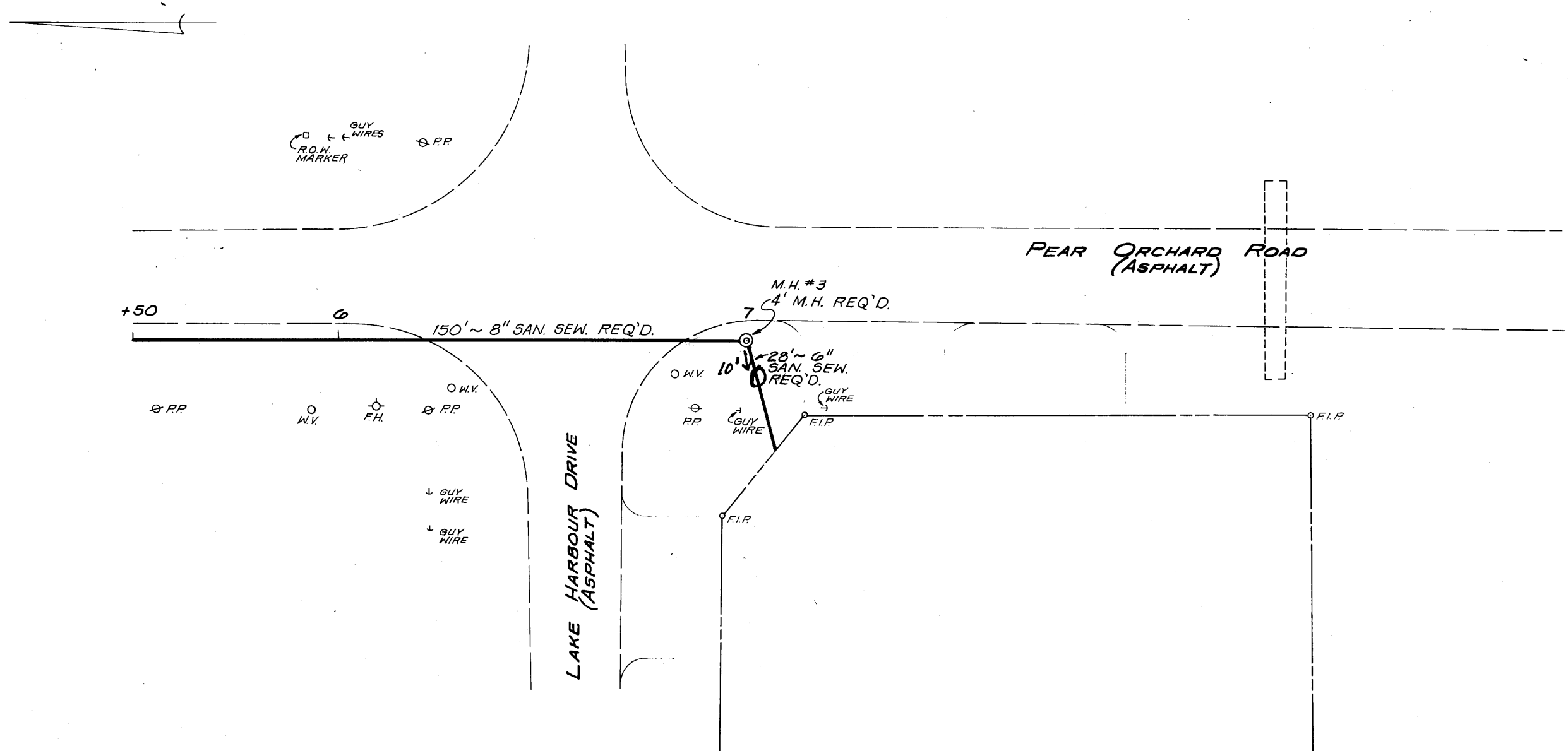


SURVEYED  
 PLAN  
 NOTE BOOK NO.  
 BY  
 DATE

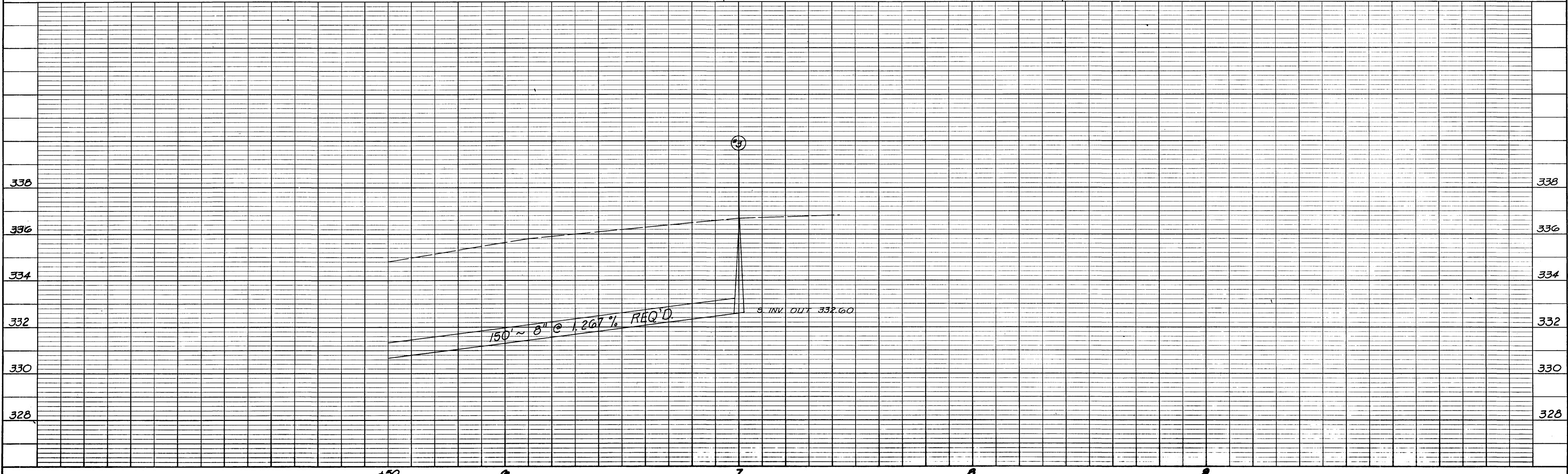
SURVEYED  
 PROFILE  
 NOTE BOOK NO.  
 BY  
 DATE

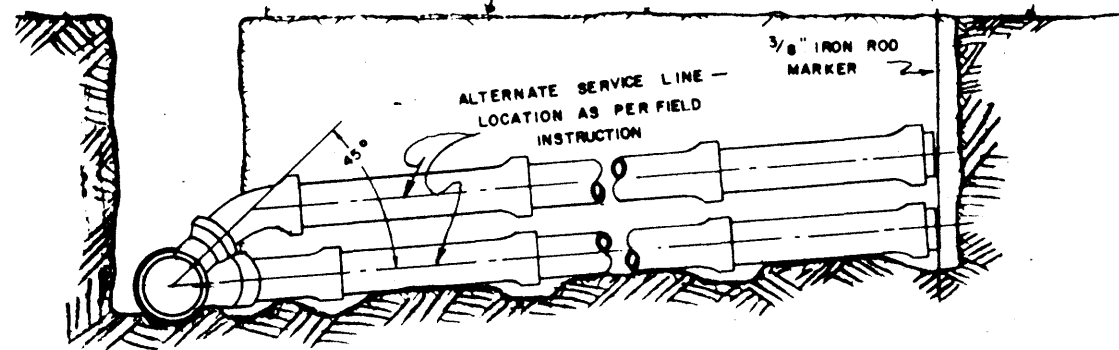
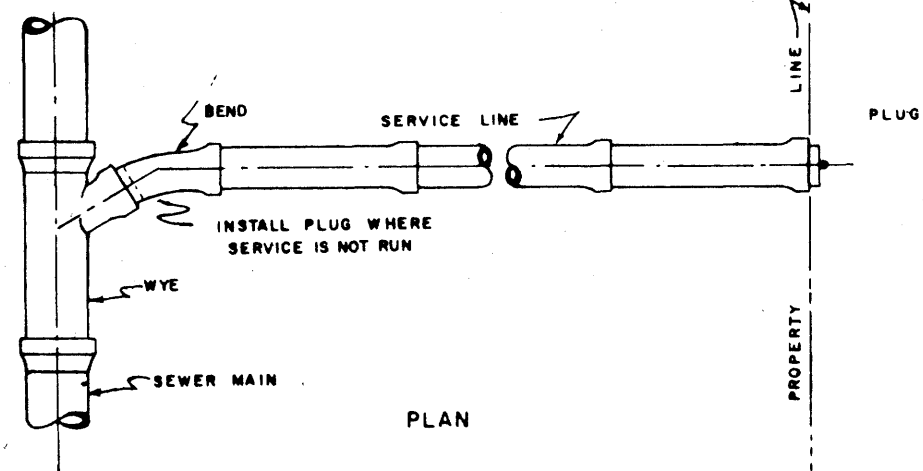


PLAN  
 SURVEYED \_\_\_\_\_  
 PLOTTED \_\_\_\_\_  
 ALIGNMENT CHECKED \_\_\_\_\_  
 RT. OF WAY CHECKED \_\_\_\_\_  
 NO. \_\_\_\_\_ DATE \_\_\_\_\_  
 BY \_\_\_\_\_

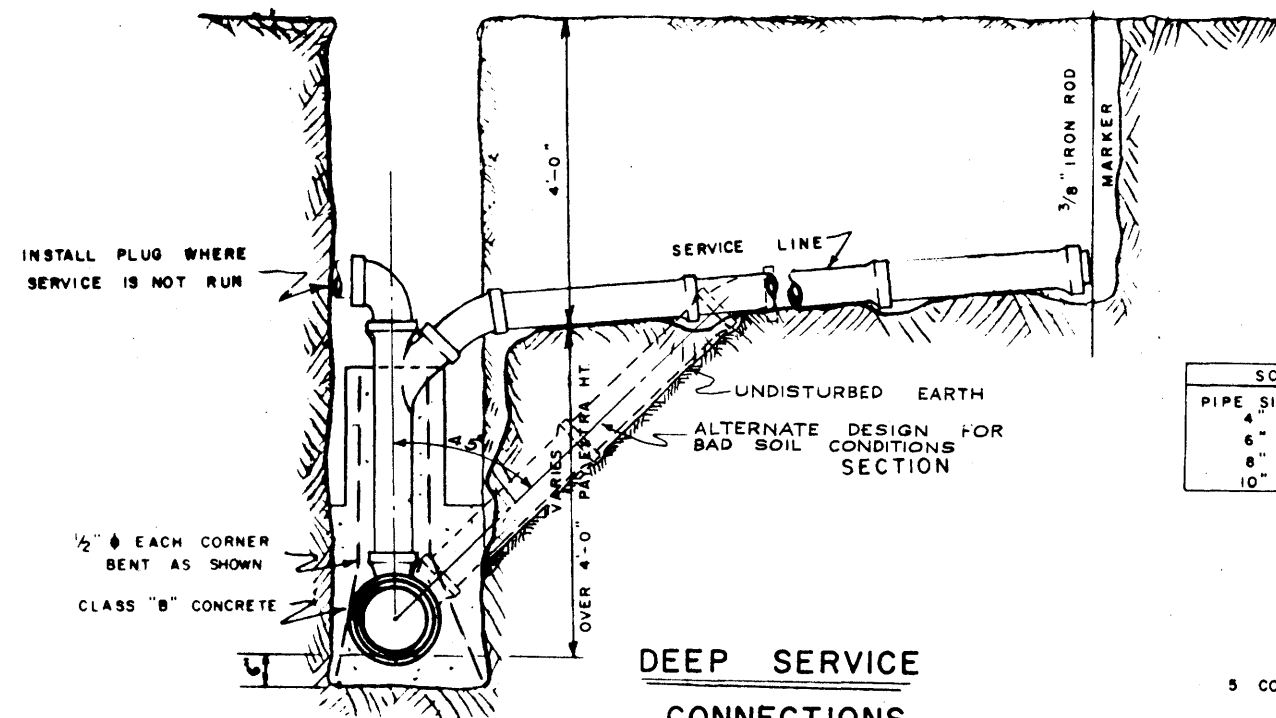
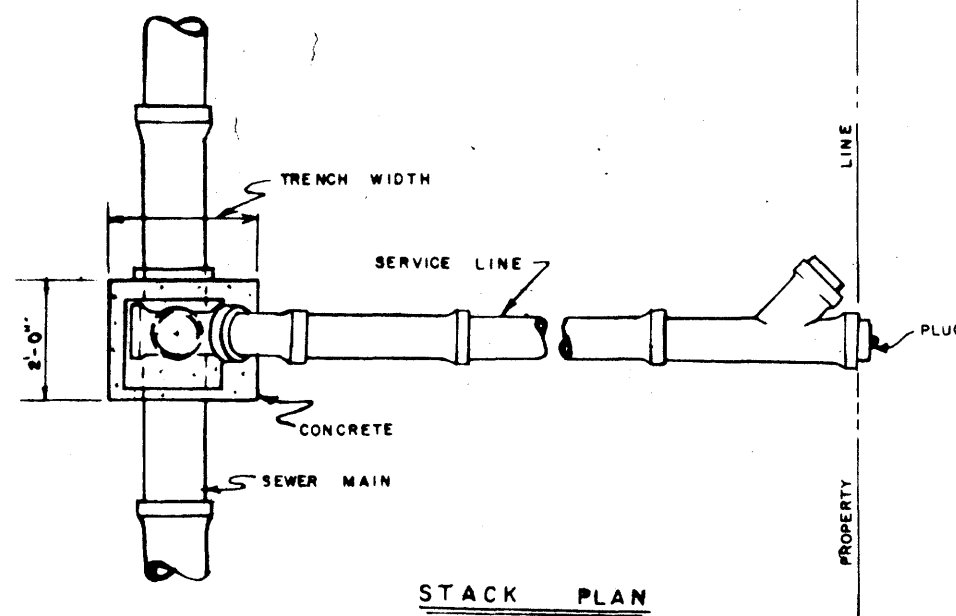


PROFILE  
 SURVEYED \_\_\_\_\_  
 PLOTTED \_\_\_\_\_  
 GRADES CHECKED \_\_\_\_\_  
 STRUCTURE NOTATIONS CHECKED \_\_\_\_\_  
 NO. \_\_\_\_\_ DATE \_\_\_\_\_  
 BY \_\_\_\_\_

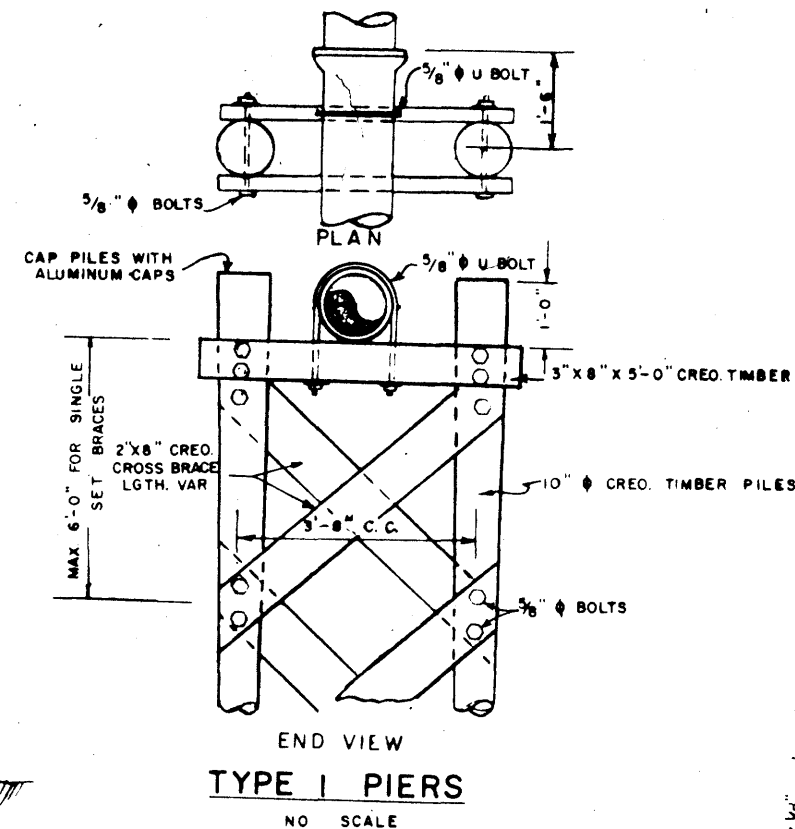




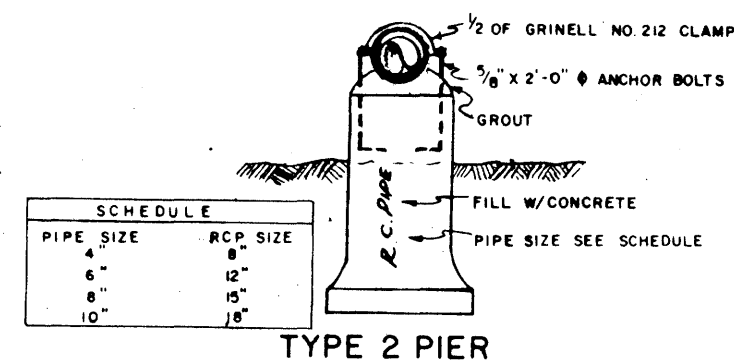
SECTION  
SHALLOW SERVICES CONNECTIONS



DEEP SERVICE CONNECTIONS  
NOTE APPLIES TO CUTS OVER 8'-0"



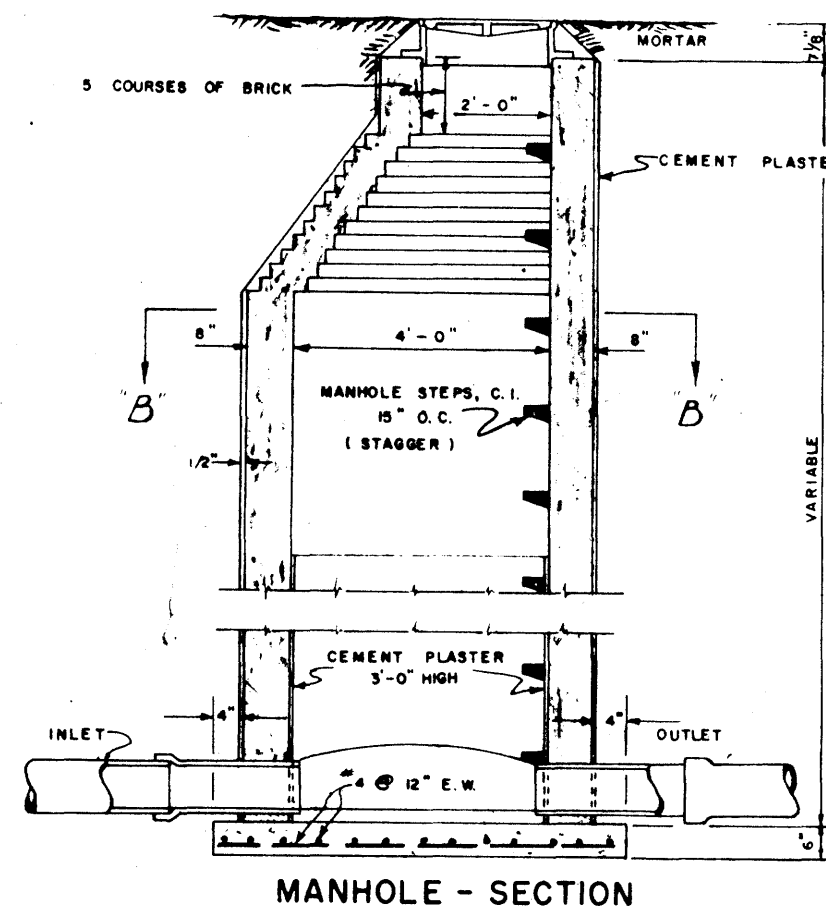
END VIEW  
TYPE 1 PIERS  
NO SCALE



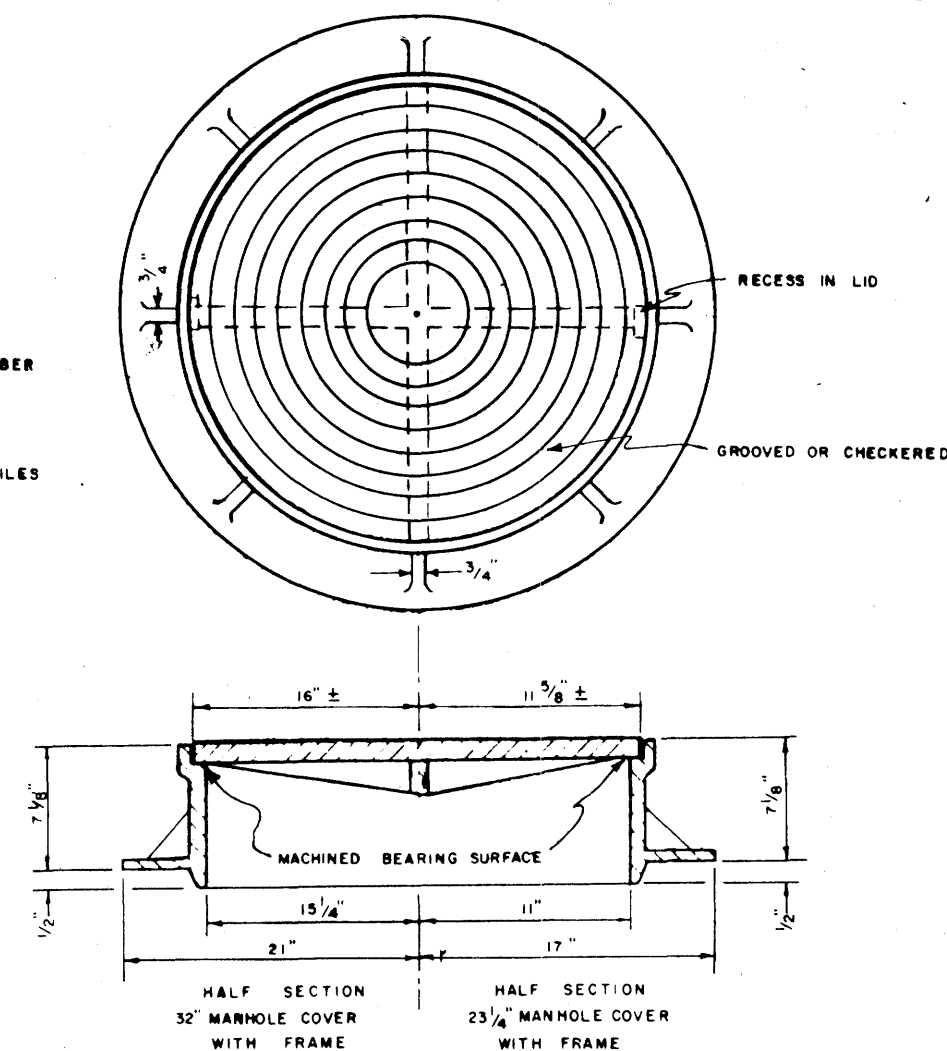
TYPE 2 PIER

PIPE SIZE	RCP SIZE
4"	8"
6"	12"
8"	15"
10"	18"

C.I. MANHOLE COVER & FRAME

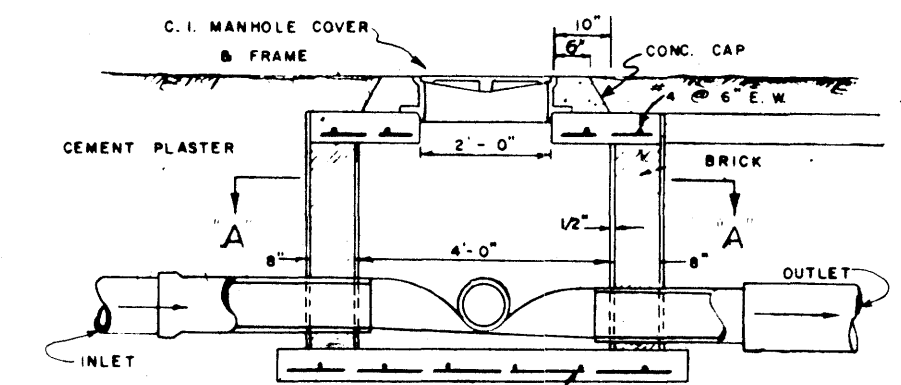


MANHOLE - SECTION

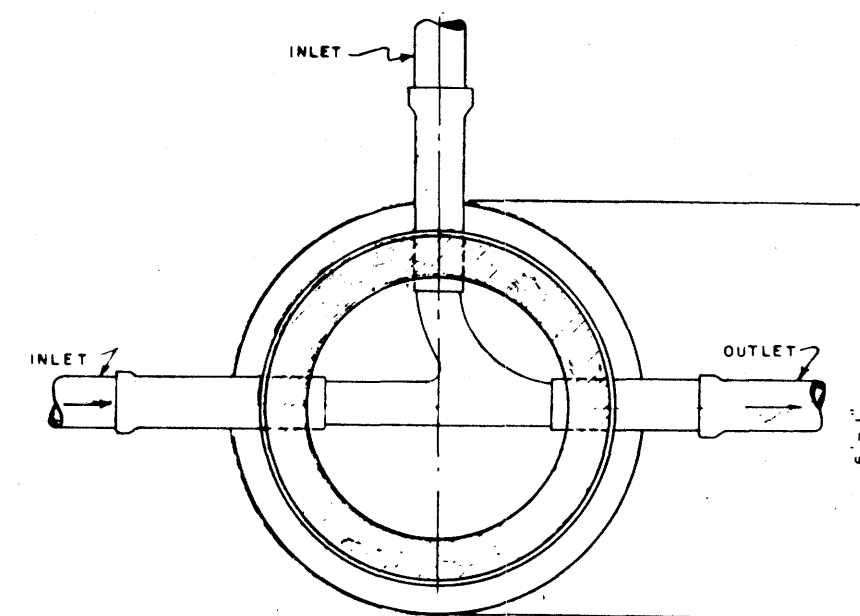


STANDARD MANHOLE FRAME & COVER

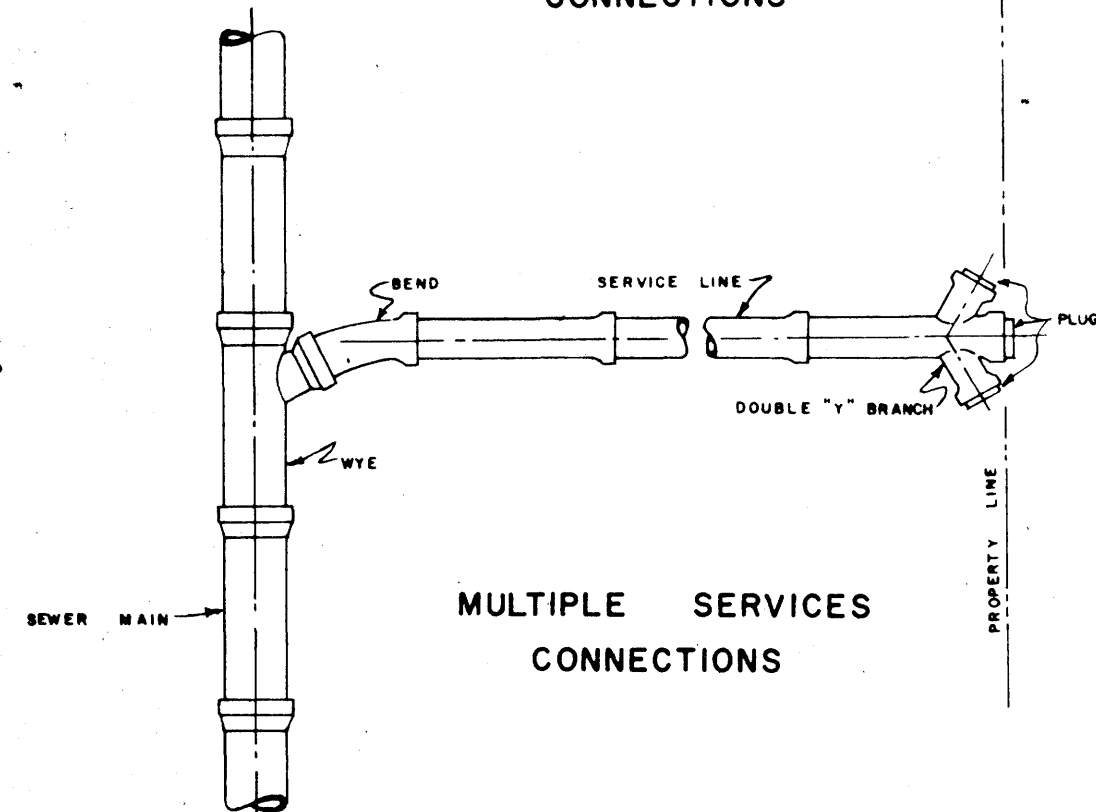
- NOTE:
- 25 1/4" M.H. FRAME AND COVER SHALL WEIGH NOT LESS THAN 350 LBS.
  - 32" M.H. FRAME AND COVER SHALL WEIGH NOT LESS THAN 750 LBS.
  - MATERIAL: CAST IRON A. S. T. M. A-48, CLASS #20



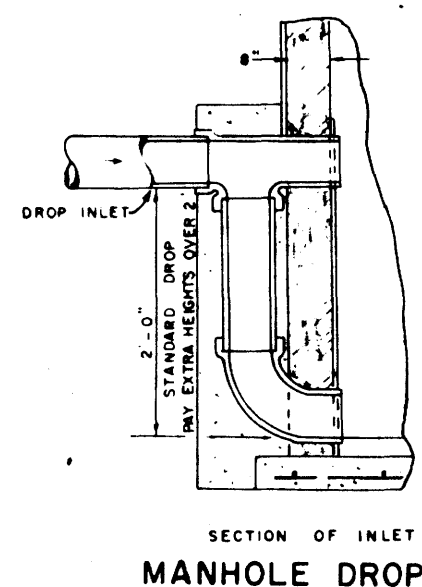
SHALLOW MANHOLE - SECTION



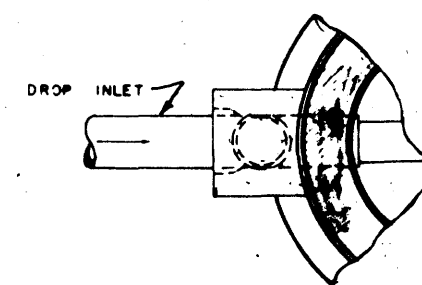
SECTION A-A



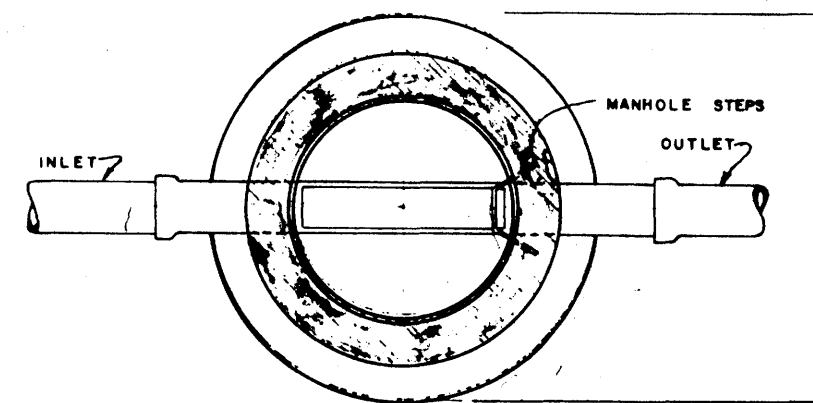
MULTIPLE SERVICES CONNECTIONS



SECTION OF INLET MANHOLE DROP



PLAN OF INLET MANHOLE DROP



SECTION B-B

TYPE	PIPE SIZE	QUANTITY (CY/FT)
TYPICAL TRENCH	6"	0.080
	8"	0.088
	10"	0.078
	12"	0.098
	14"	0.124
GRAVEL SUBGRADE	6"	0.080
	8"	0.088
	10"	0.078
	12"	0.098
	14"	0.124
CONCRETE CRADLE	6"	0.030
	8"	0.034
	10"	0.038
	12"	0.042
	14"	0.046
CONCRETE ENCASEMENT	6"	0.078
	8"	0.098
	10"	0.112
	12"	0.131
	14"	0.158
SHELL SUBGRADE	6"	0.060
	8"	0.068
	10"	0.078
	12"	0.098
	14"	0.124

Standard Detail