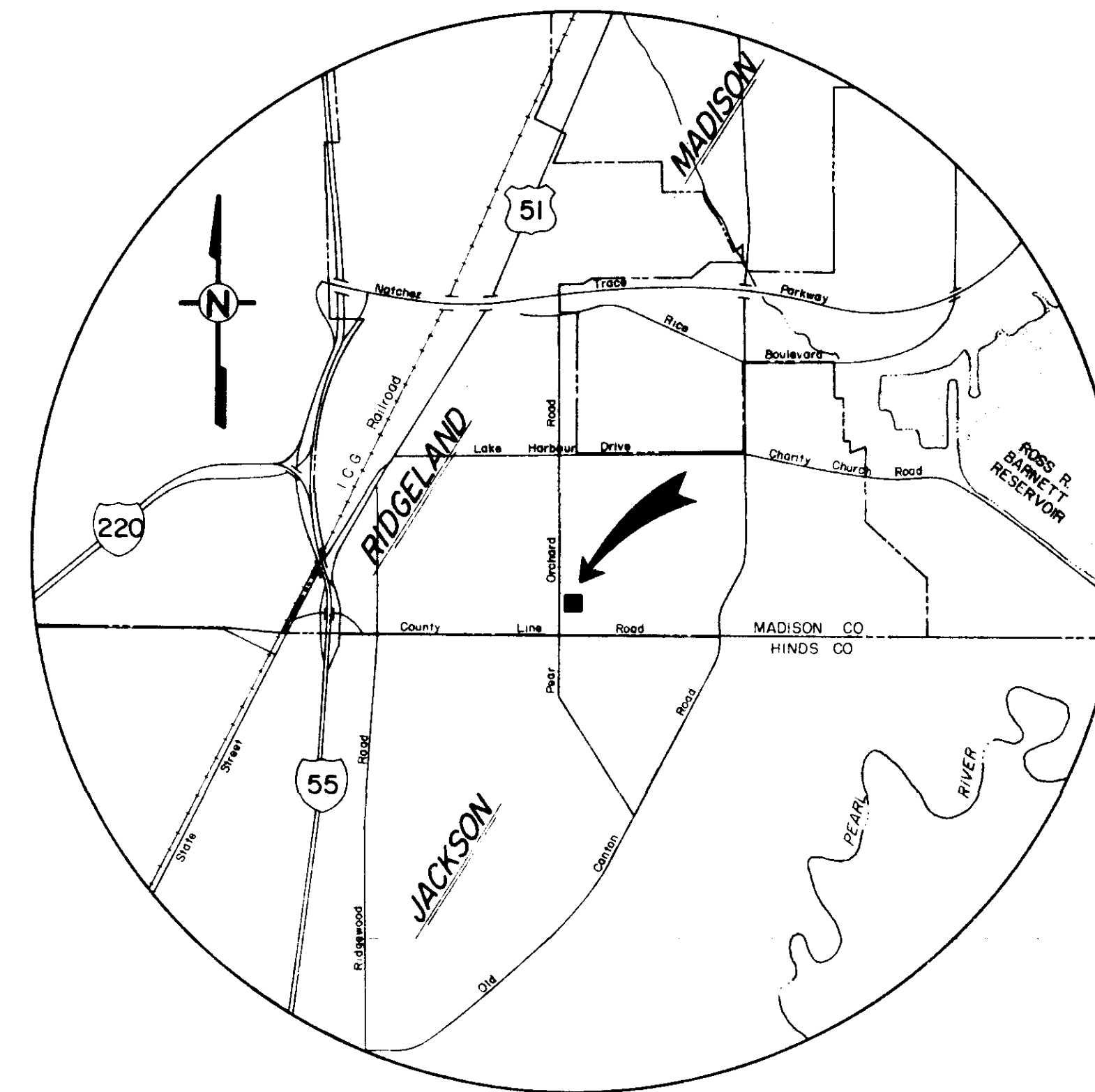


# ORCHARD PARK

SITUATED IN THE SW1/4 OF SECTION 32, T7N-R2E,  
RIDGELAND, MADISON COUNTY, MISSISSIPPI

*a development by:*

JOHN SHOWS & BILLY HUTTO



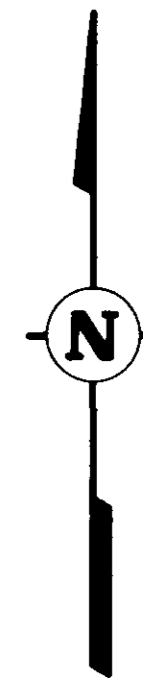
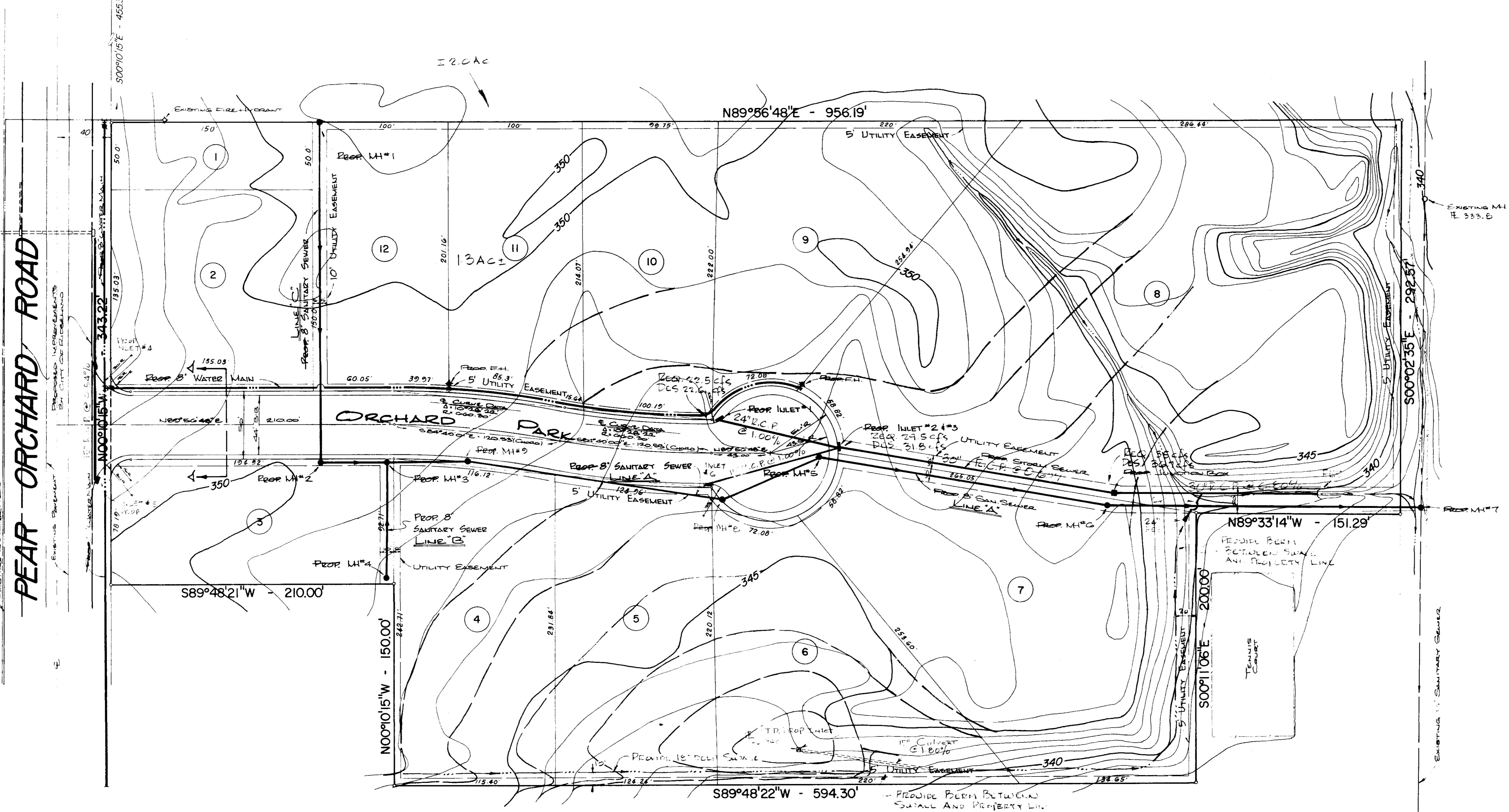
*prepared by:*  
CASE & ASSOCIATES, INC.

AS BUILT  
AUG., 1984

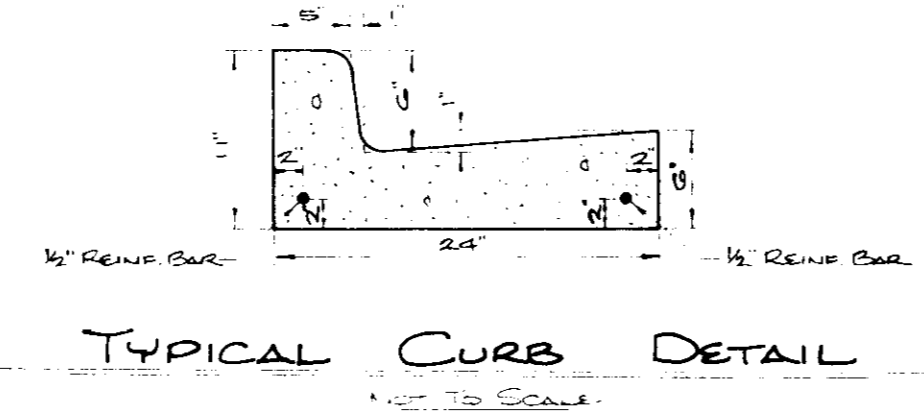
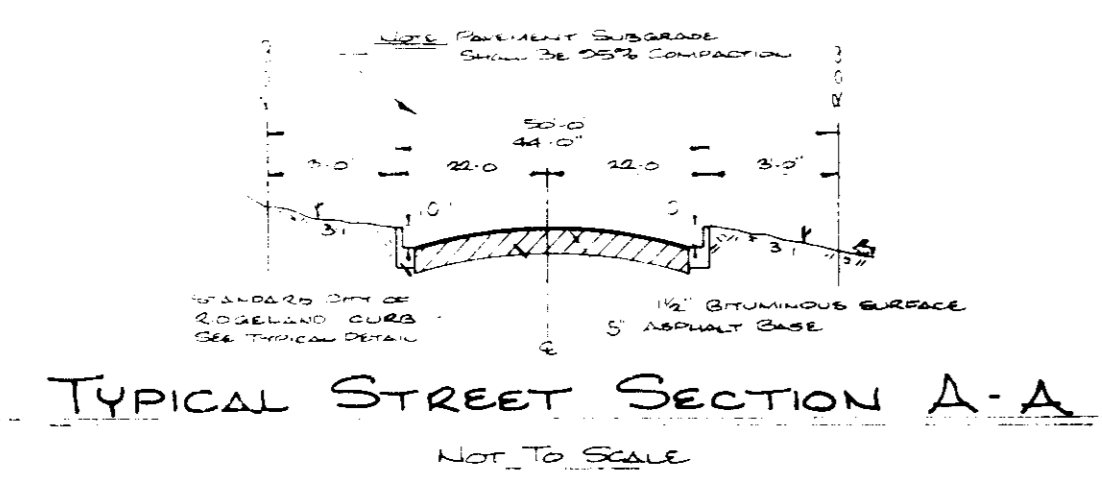
PWP-01506

JUN 1984

Boundary Line Between Rhodes And Cabell  
By Court Decree No. 15616, Madison County,  
Mississippi, DB 68/ Page 376



PEAR ORCHARD ROAD



GENERAL NOTES:

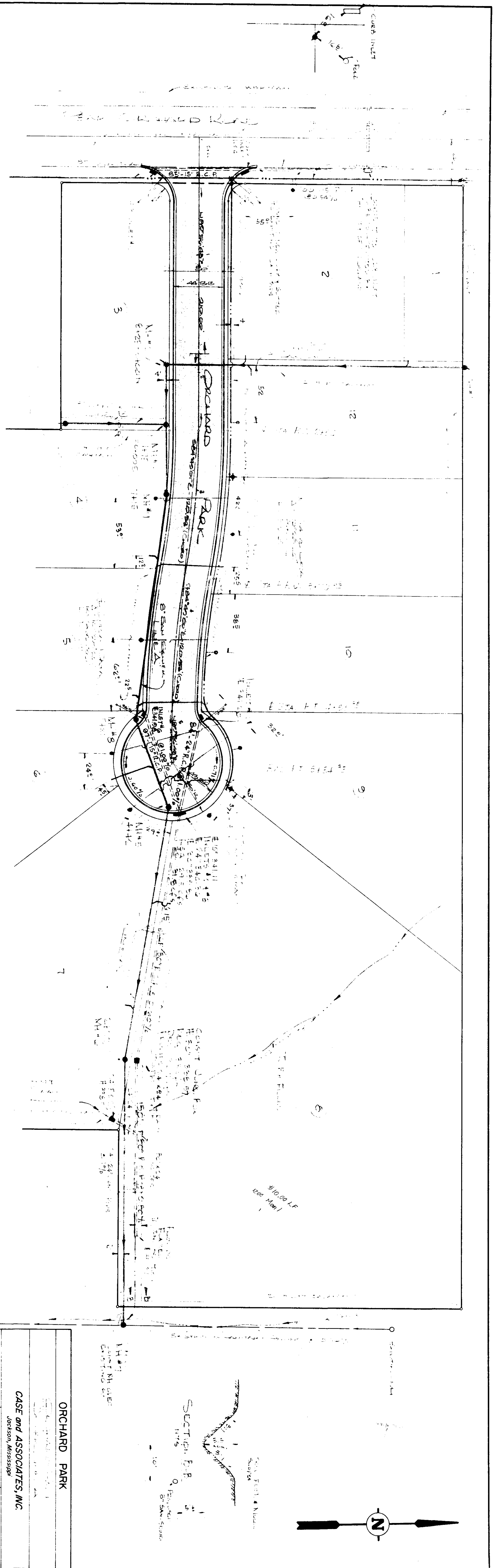
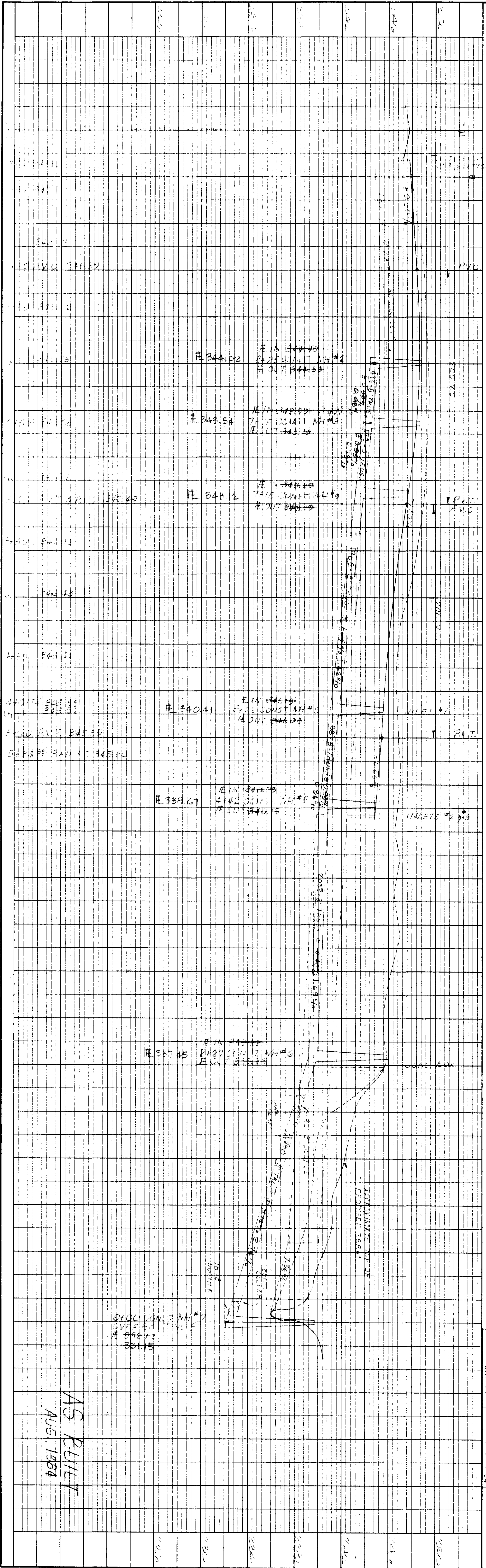
- (1) ALL UTILITY TRENCHES SHALL BE PROVIDED WITH PROPER SLOPES TO MAINTAIN ADEQUATE TO... (text partially obscured)
- (2) ALL UTILITY TRENCHES SHALL BE PROVIDED WITH PROPER SLOPES TO MAINTAIN ADEQUATE TO... (text partially obscured)
- (3) ALL UTILITY TRENCHES SHALL BE PROVIDED WITH PROPER SLOPES TO MAINTAIN ADEQUATE TO... (text partially obscured)
- (4) ALL UTILITY TRENCHES SHALL BE PROVIDED WITH PROPER SLOPES TO MAINTAIN ADEQUATE TO... (text partially obscured)
- (5) ALL UTILITY TRENCHES SHALL BE PROVIDED WITH PROPER SLOPES TO MAINTAIN ADEQUATE TO... (text partially obscured)
- (6) ALL UTILITY TRENCHES SHALL BE PROVIDED WITH PROPER SLOPES TO MAINTAIN ADEQUATE TO... (text partially obscured)
- (7) ALL UTILITY TRENCHES SHALL BE PROVIDED WITH PROPER SLOPES TO MAINTAIN ADEQUATE TO... (text partially obscured)
- (8) ALL UTILITY TRENCHES SHALL BE PROVIDED WITH PROPER SLOPES TO MAINTAIN ADEQUATE TO... (text partially obscured)
- (9) ALL UTILITY TRENCHES SHALL BE PROVIDED WITH PROPER SLOPES TO MAINTAIN ADEQUATE TO... (text partially obscured)
- (10) ALL UTILITY TRENCHES SHALL BE PROVIDED WITH PROPER SLOPES TO MAINTAIN ADEQUATE TO... (text partially obscured)
- (11) ALL UTILITY TRENCHES SHALL BE PROVIDED WITH PROPER SLOPES TO MAINTAIN ADEQUATE TO... (text partially obscured)
- (12) ALL UTILITY TRENCHES SHALL BE PROVIDED WITH PROPER SLOPES TO MAINTAIN ADEQUATE TO... (text partially obscured)

AS BUILT  
AUG, 1984

ORCHARD PARK	
SANITARY SEWER LAYOUT DRAINAGE & GEOMETRIC LAYOUT	
CASE AND ASSOCIATES, INC. JACKSON, MISSISSIPPI	
Scale: 1" = 40'	Date: 8/1/84 Sheet 2 of 3

PROFILE	SURVEYED	BY	DATE
NOTE BOOK	PLOTTED		
No.	GRADES CHECKED		
	R.M.'S NOTED		
	SPEECH NOTATIONS CHECKED		

PLAN	SURVEYED	BY	DATE
NOTE BOOK	PLOTTED		
No.	ALIGNMENT CHECKED		
	RT. OF WAY CHECKED		



K&E PLATE 1 PLAN/PROFILE  
48 7008 W&A-85-1

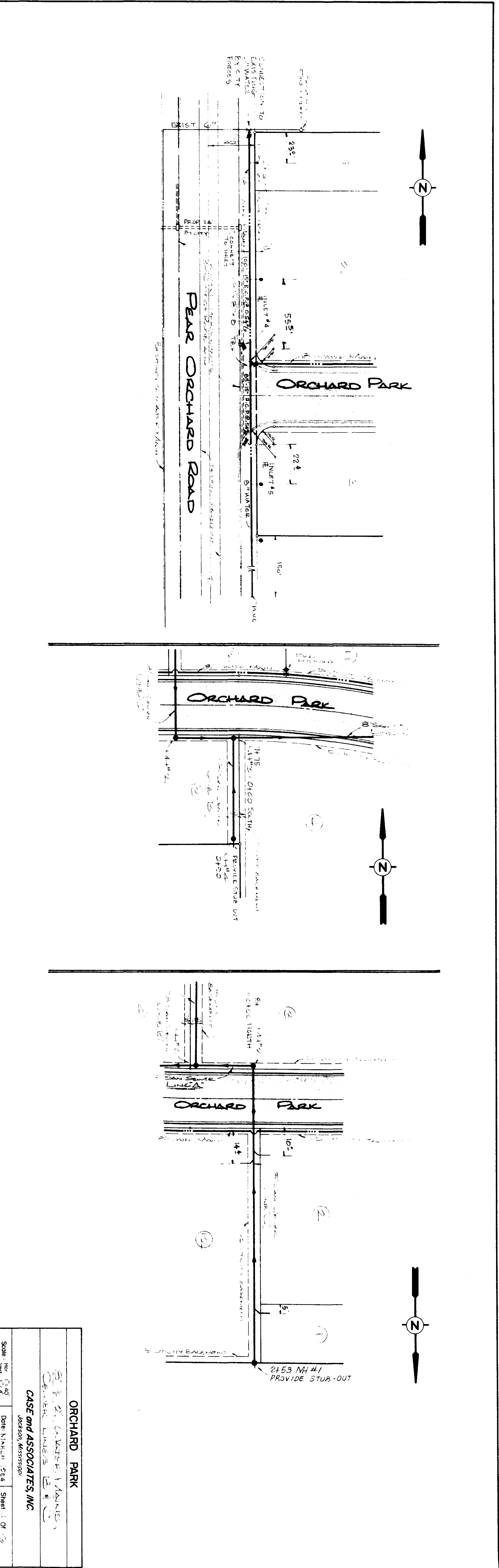
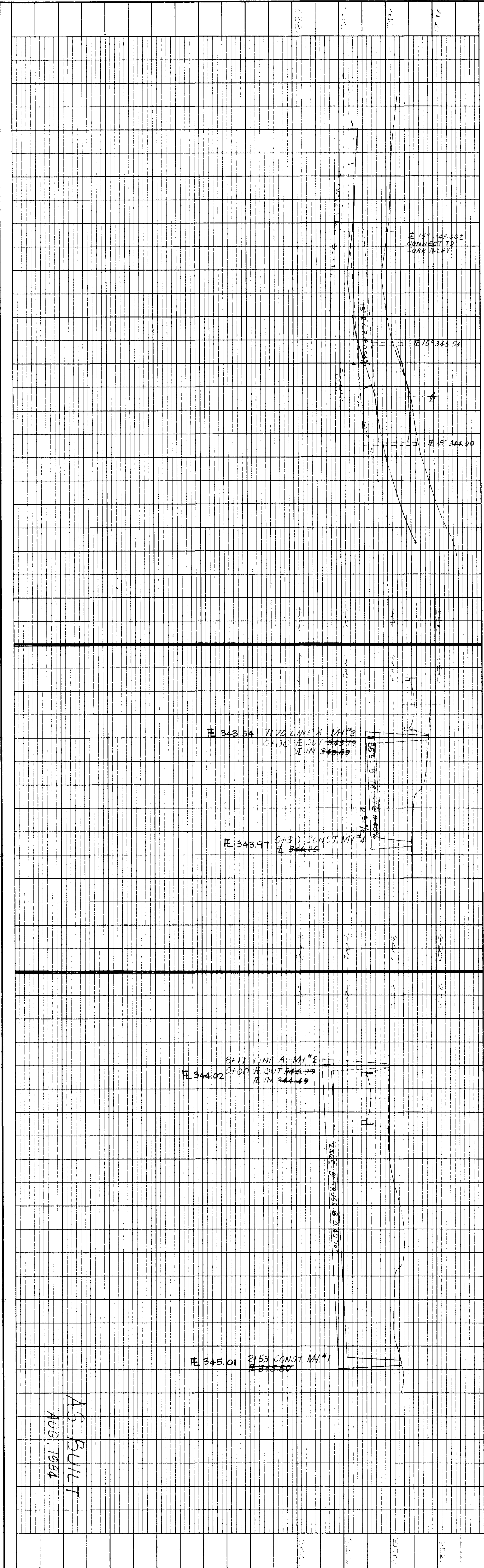
AS BUILT  
AUG. 1984

ORCHARD PARK  
CASE AND ASSOCIATES, INC.  
Jackson, Mississippi  
Scale: 1" = 40'  
Date: Nov. 1984  
Sheet 2 of 3

SECTION B-B  
11' x 5'

PROFILE		BY	DATE
SURVEYED			
NOTED			
GRADES CHECKED			
S. M.'S. NOTED			
STRUCTURE NOTATIONS CHECKED			

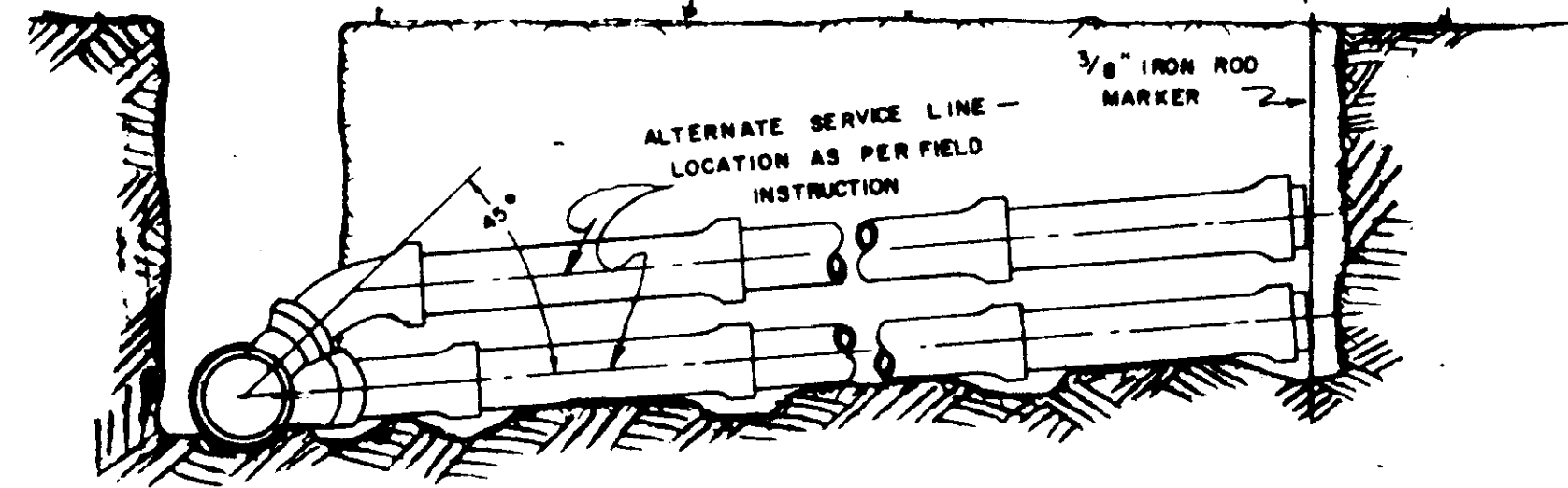
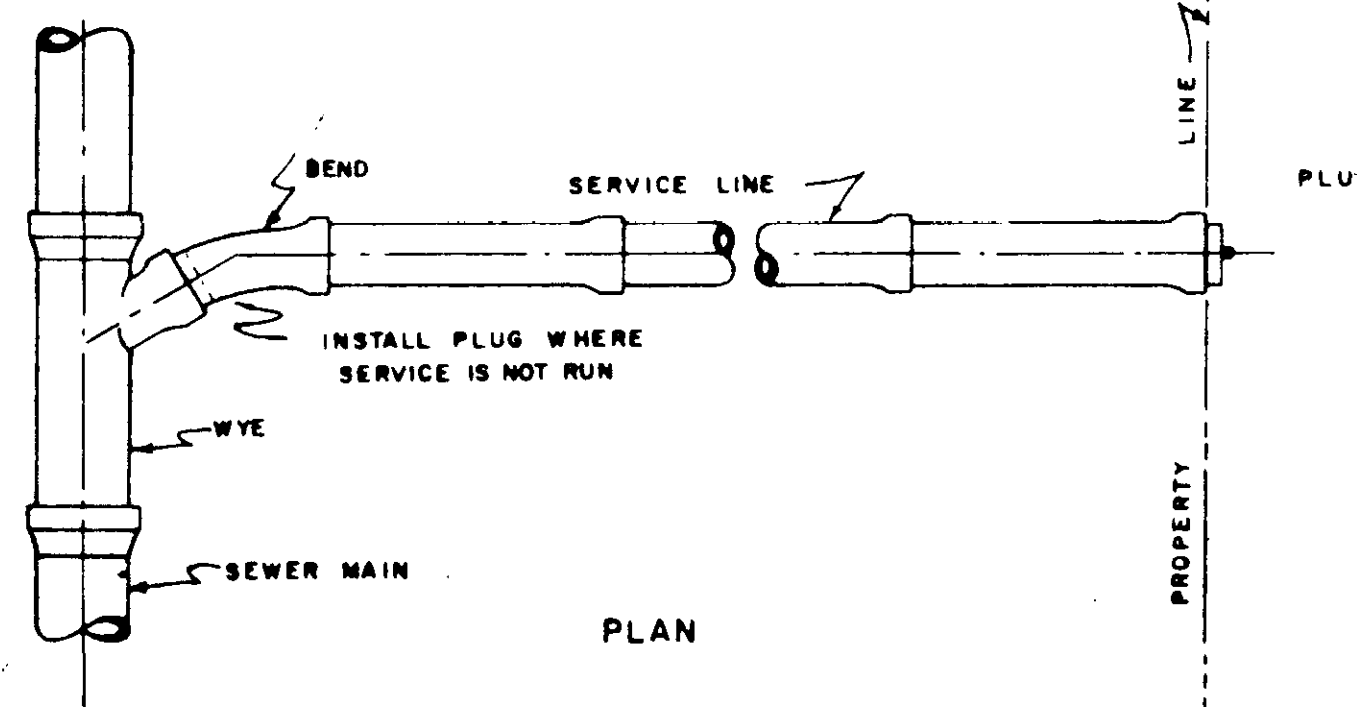
PLAN		BY	DATE
SURVEYED			
NOTED			
ALIGNMENT CHECKED			
RT. OF WAY CHECKED			



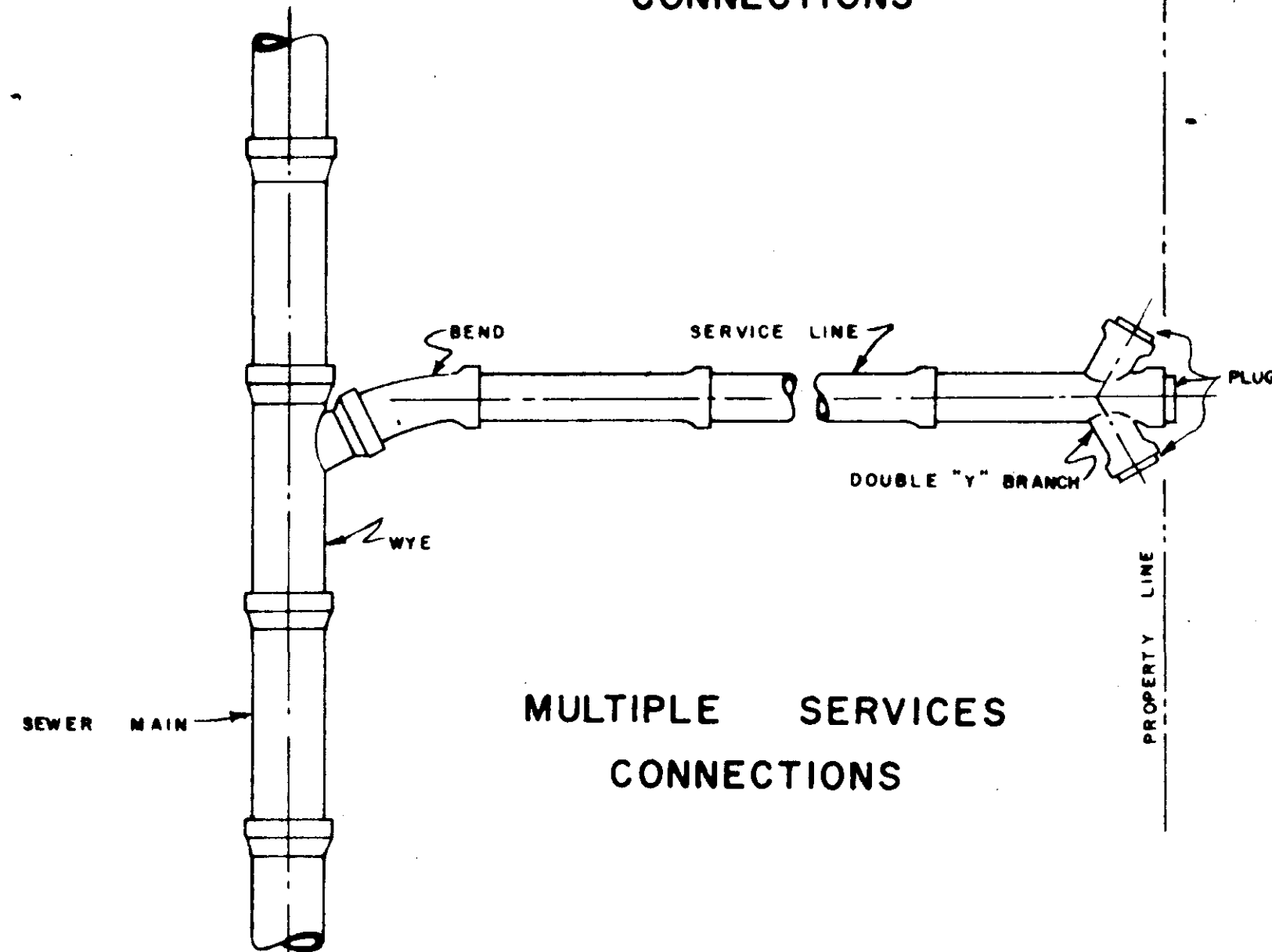
K&E PLATE 1 PLAN PROFILE  
48 7008 MADE IN U.S.A.

AS BUILT  
AUG. 1964

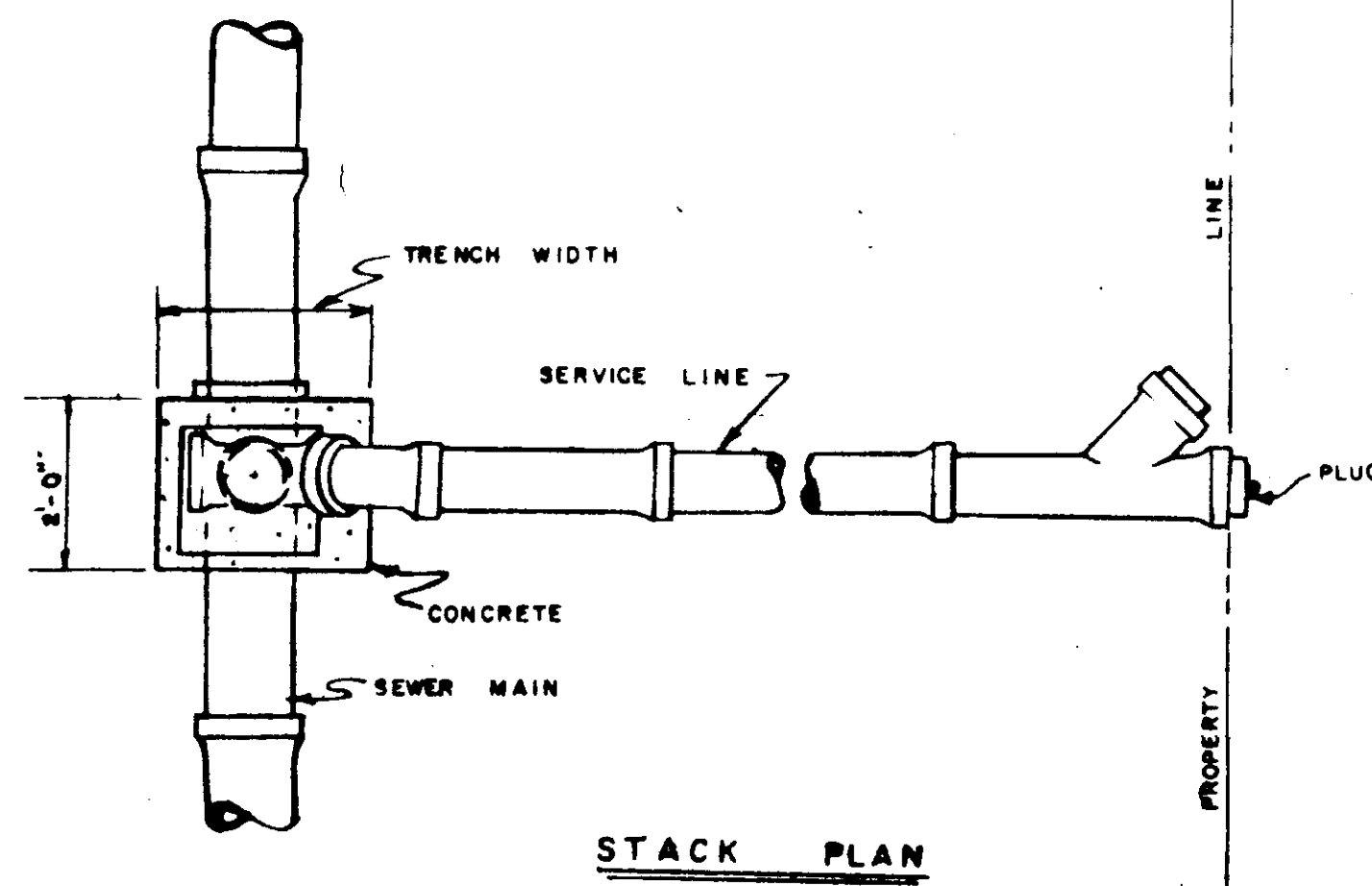
Scale: 1" = 40'	Date: March 564	Sheet: 1 of 3
<b>ORCHARD PARK</b> CENTER LINES <b>CASE and ASSOCIATES, INC.</b> Jackson, Mississippi		



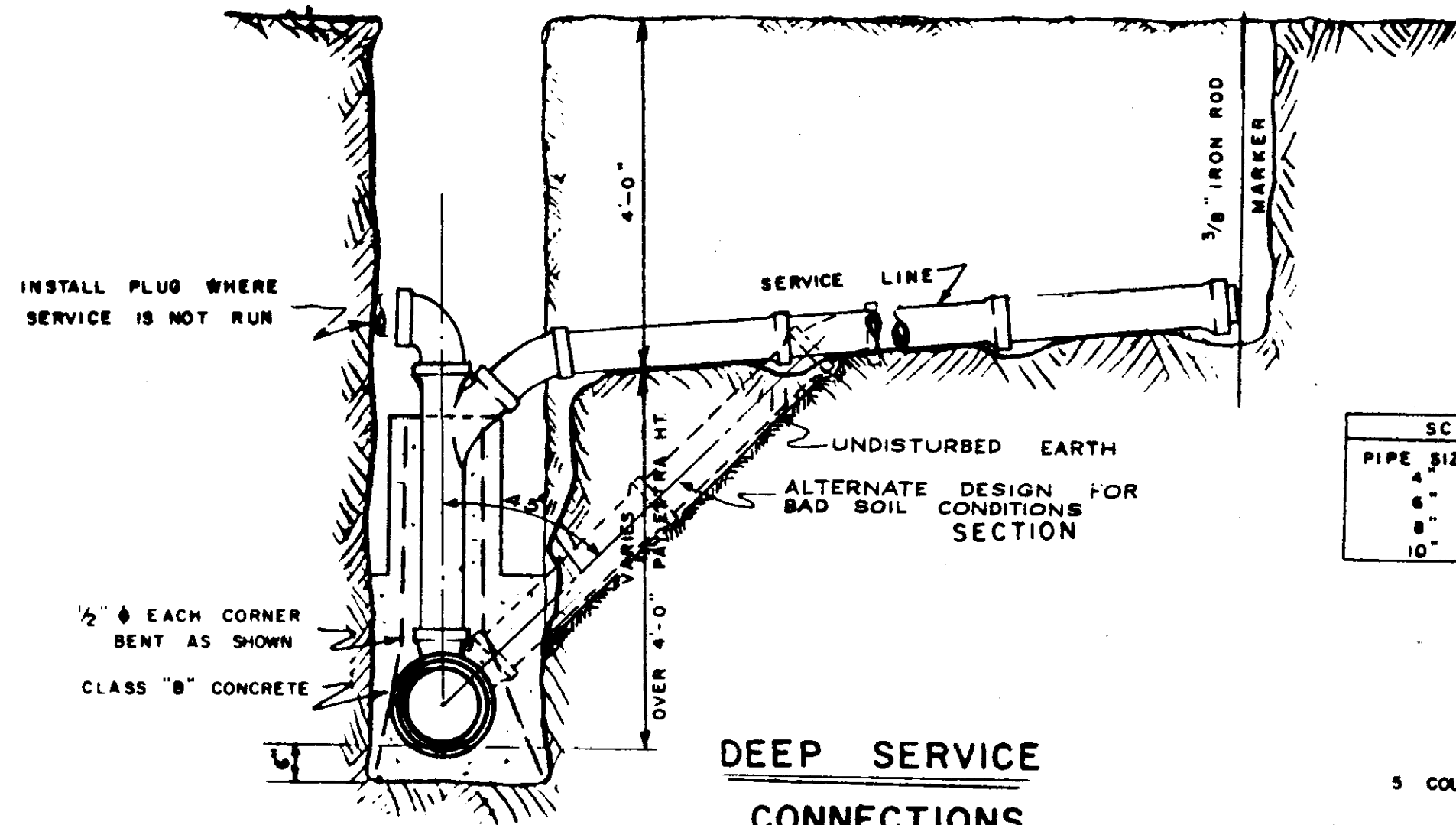
SECTION  
SHALLOW SERVICES  
CONNECTIONS



MULTIPLE SERVICES  
CONNECTIONS

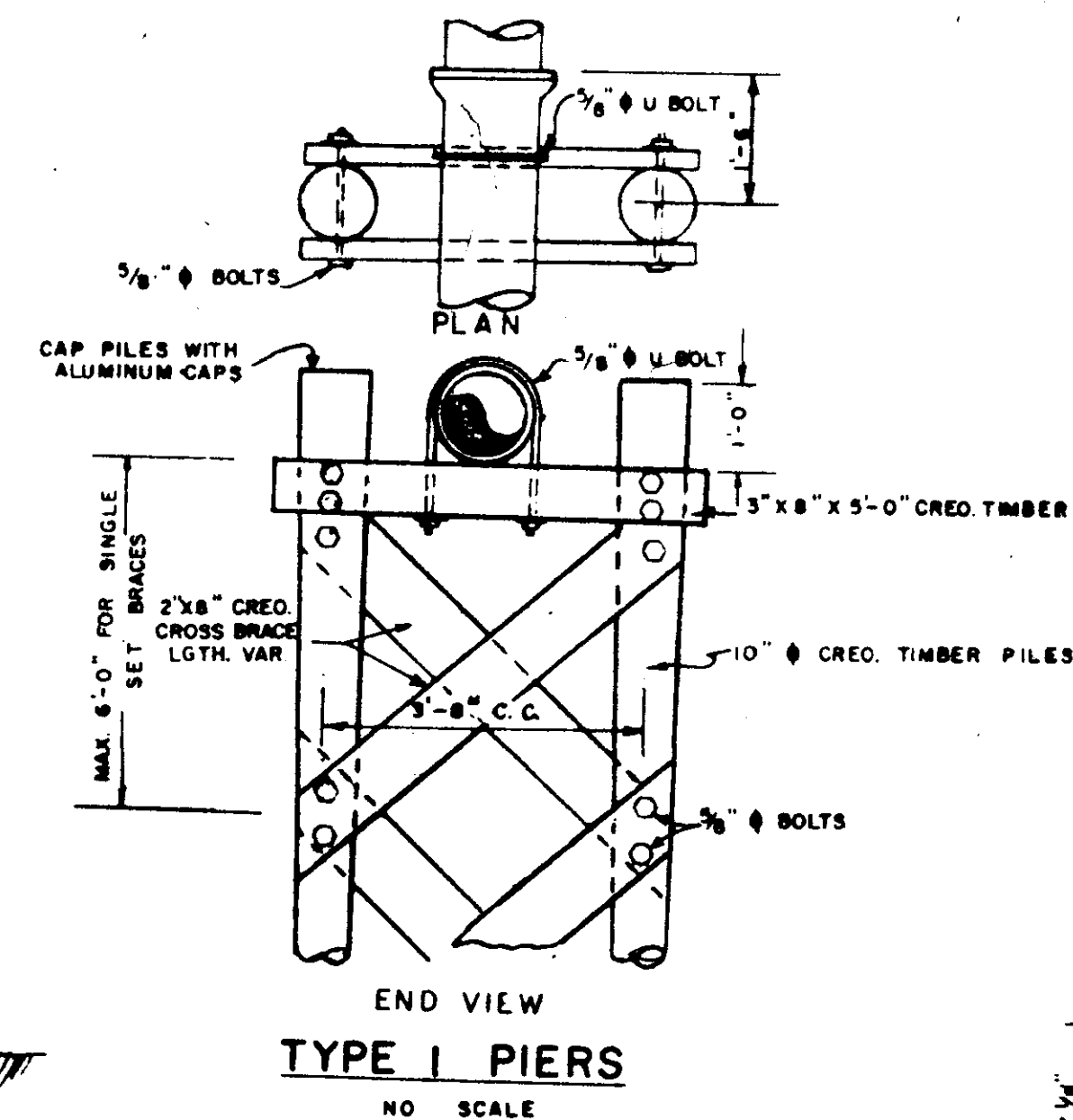


STACK PLAN



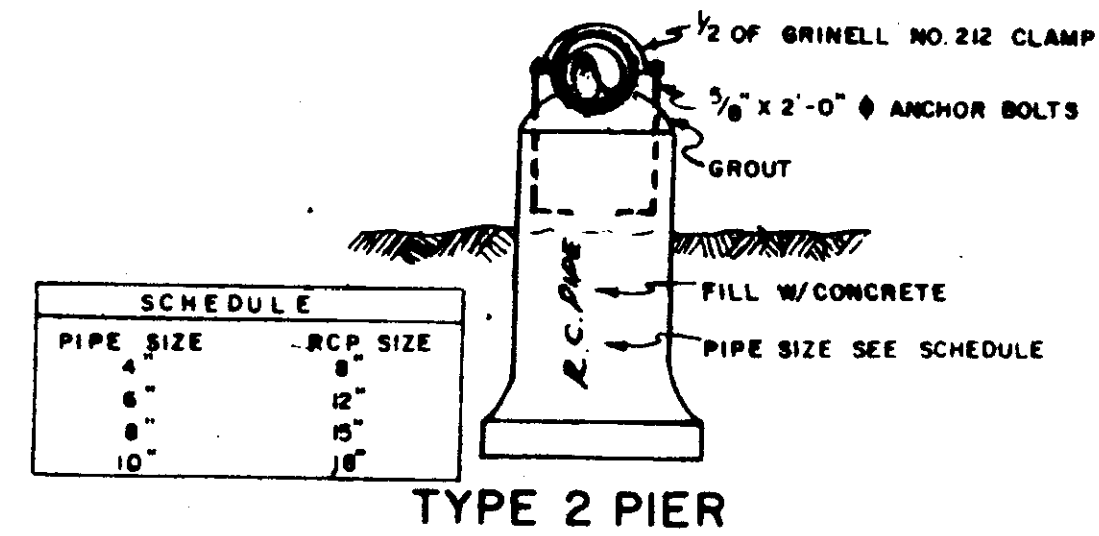
DEEP SERVICE  
CONNECTIONS

NOTE APPLIES TO CUTS OVER 6'-0"



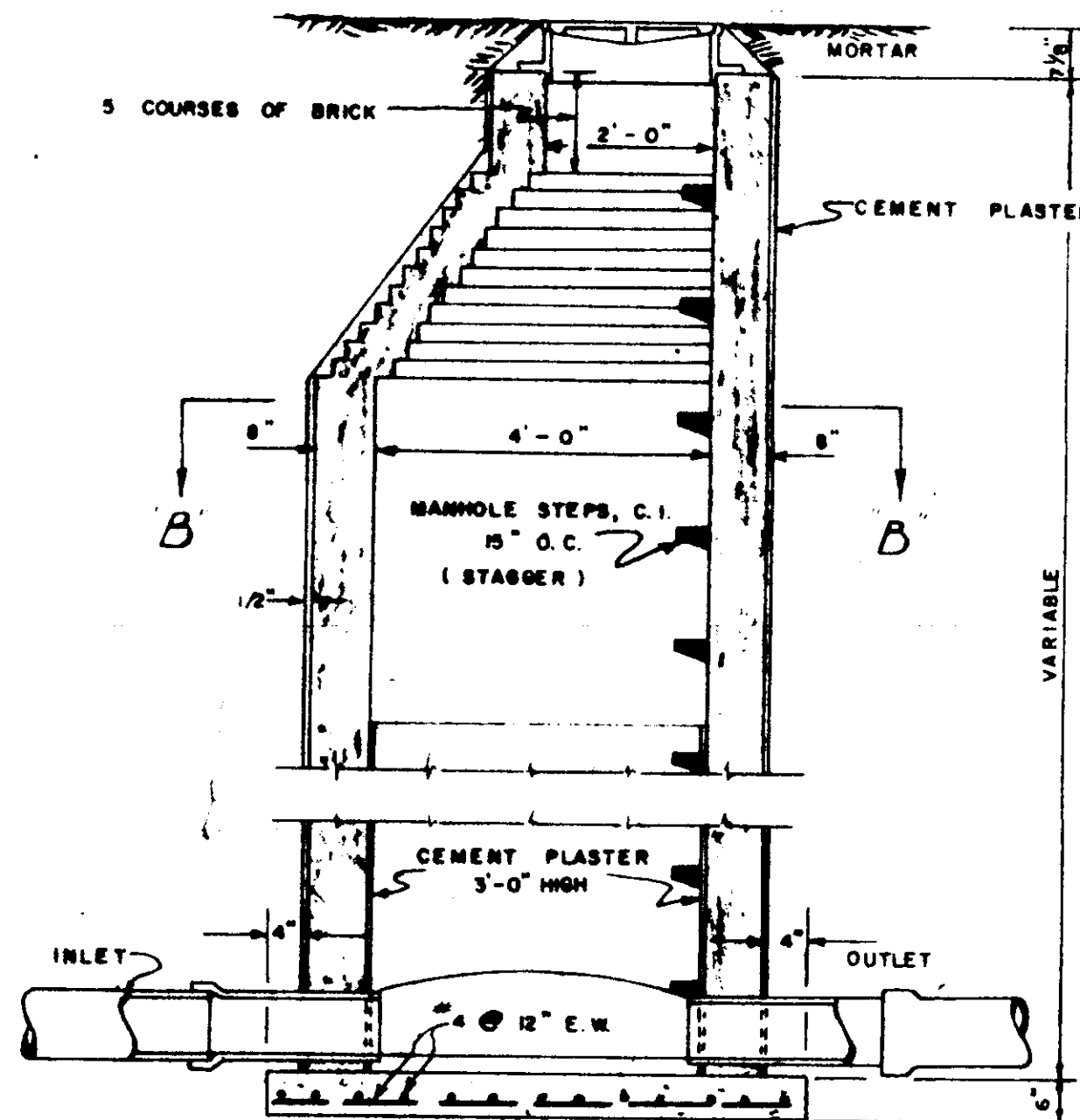
END VIEW  
TYPE 1 PIERS

NO SCALE

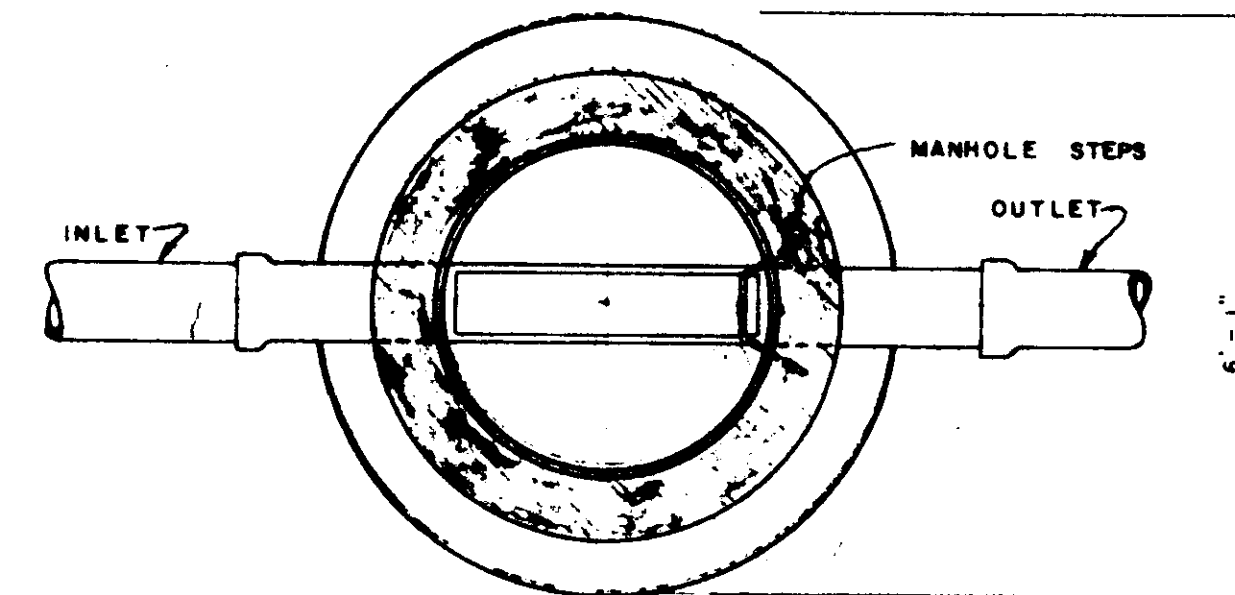


TYPE 2 PIER

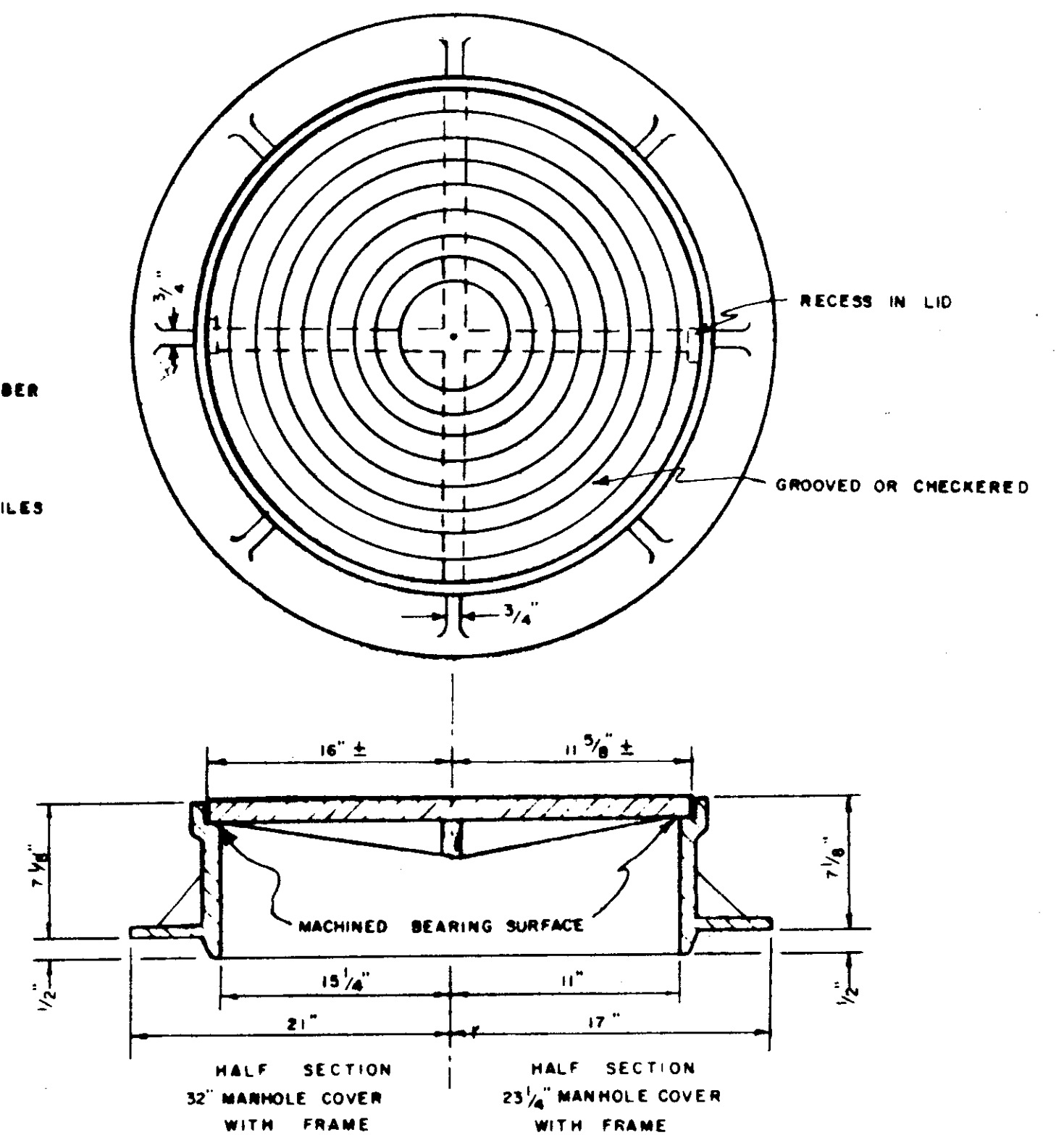
C.I. MANHOLE COVER & FRAME



MANHOLE - SECTION

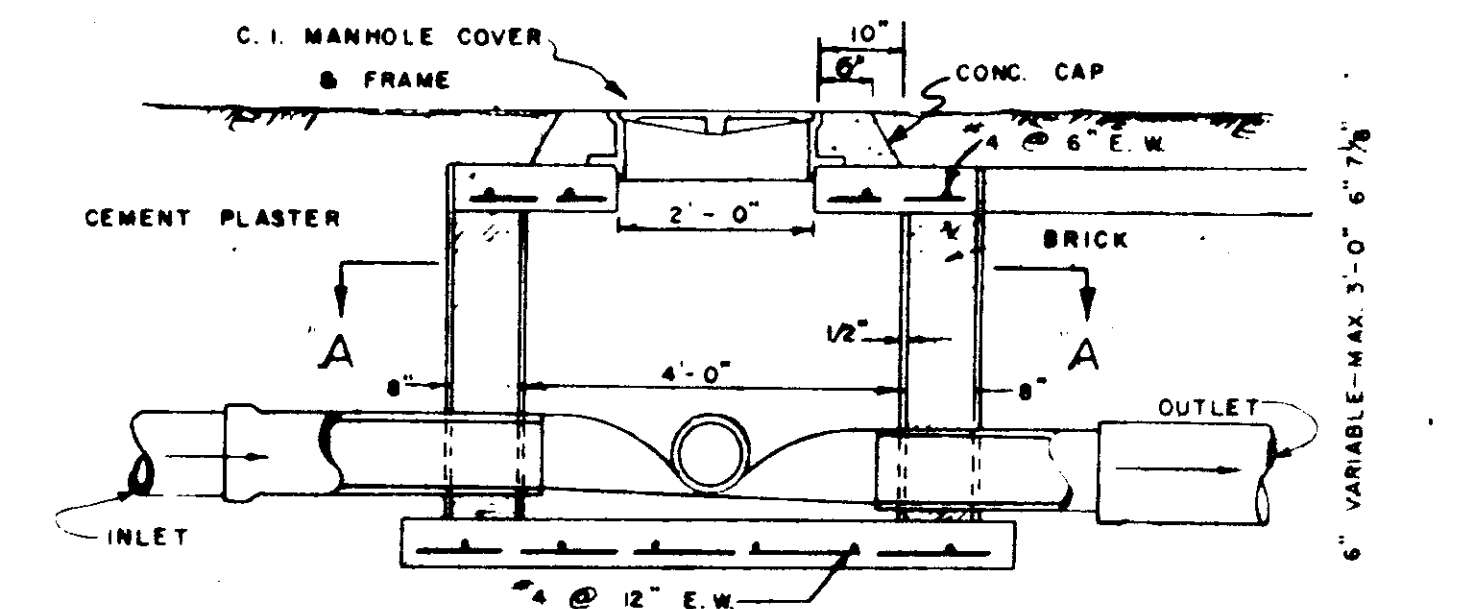


SECTION B-B

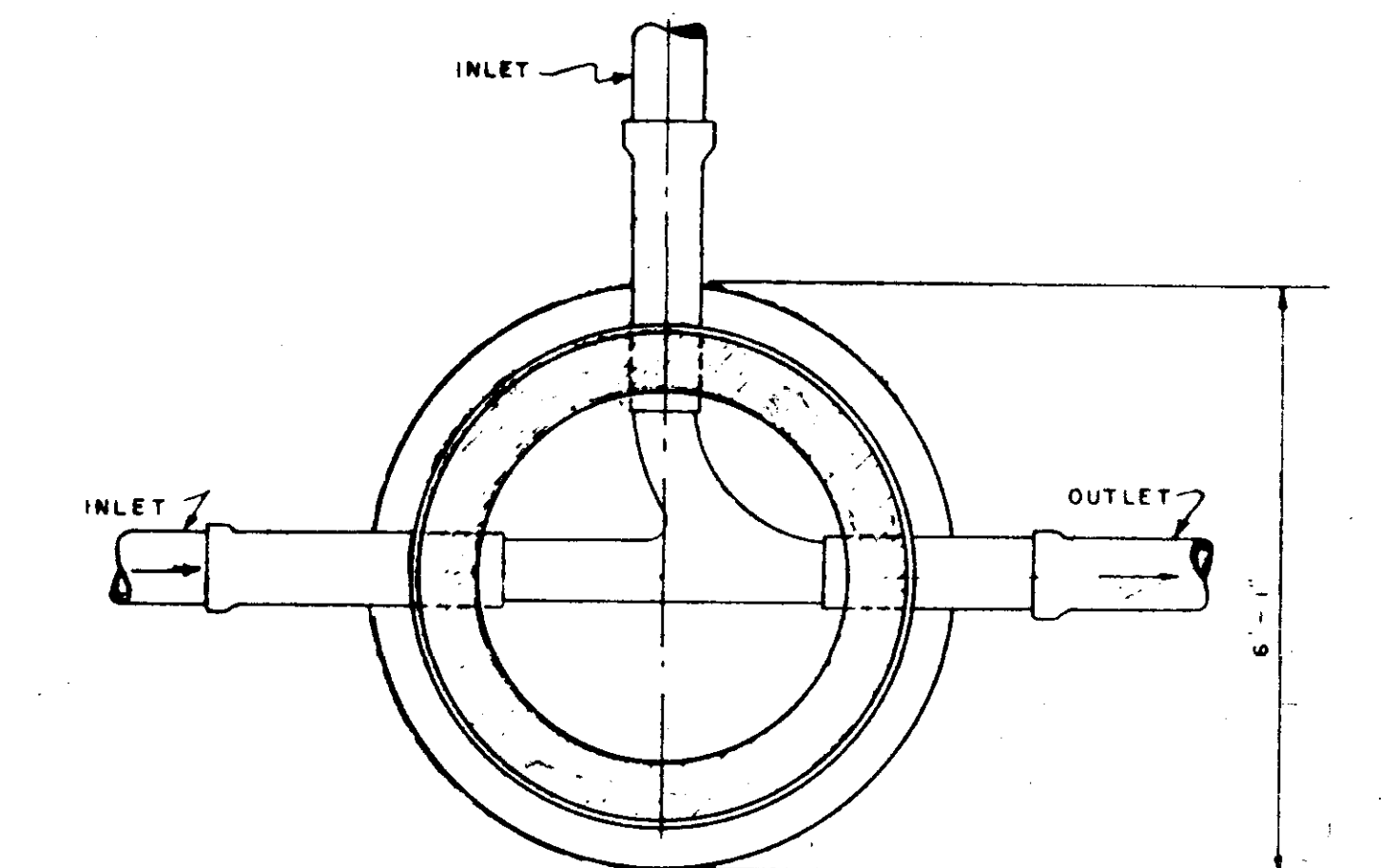


STANDARD MANHOLE FRAME & COVER

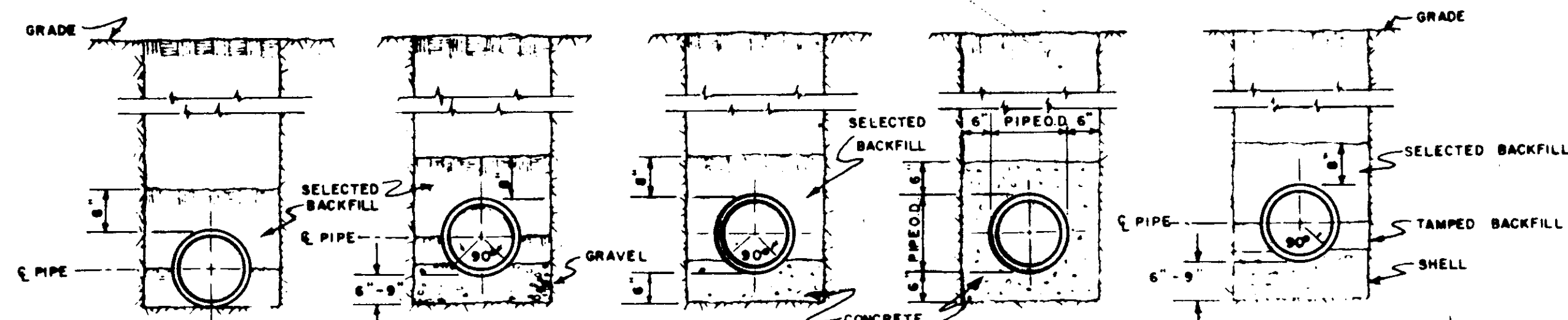
- NOTE:
- 23 1/4" M.M. FRAME AND COVER SHALL WEIGH NOT LESS THAN 360 LBS.
  - 32" M.M. FRAME AND COVER SHALL WEIGH NOT LESS THAN 750 LBS.
  - MATERIAL: CAST IRON A.S.T.M. A-46, CLASS #20



SHALLOW MANHOLE - SECTION



SECTION A-A



TYPICAL TRENCH

GRAVEL SUBGRADE

CONCRETE CRADLE

CONCRETE ENCASMENT

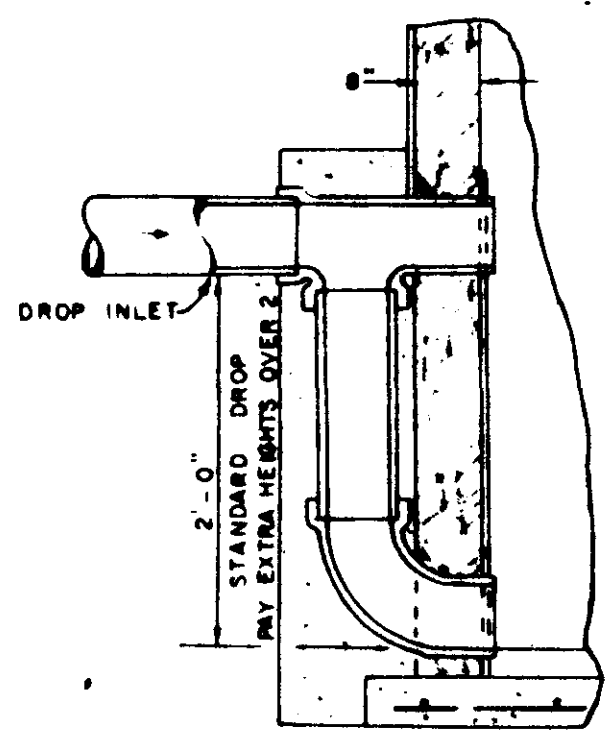
SHELL SUBGRADE

PIPE SIZE	QUANTITY CY/FT.
6"	0.040
8"	0.068
10"	0.076
12"	0.092
14"	0.104
16"	0.112
18"	0.124
20"	0.132
24"	0.180

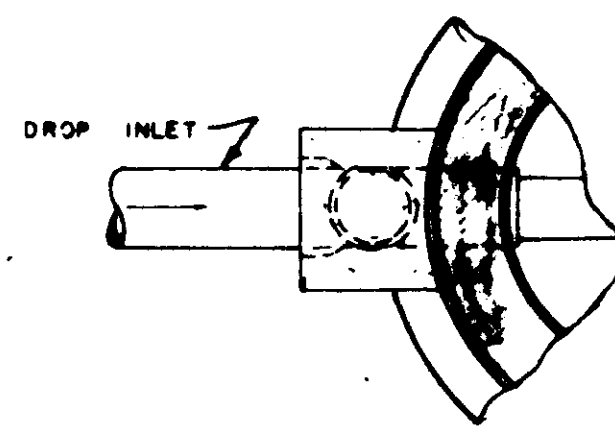
PIPE SIZE	QUANTITY CY/FT.
6"	0.030
8"	0.034
10"	0.038
12"	0.041
14"	0.044
16"	0.048
18"	0.051
20"	0.054
24"	0.090

PIPE SIZE	QUANTITY CY/FT.
6"	0.079
8"	0.095
10"	0.112
12"	0.131
14"	0.138
16"	0.144
18"	0.150
20"	0.156
24"	0.228

PIPE SIZE	QUANTITY CY/FT.
6"	0.060
8"	0.068
10"	0.074
12"	0.082
14"	0.088
16"	0.094
18"	0.100
20"	0.106
24"	0.180



SECTION OF INLET  
MANHOLE DROP

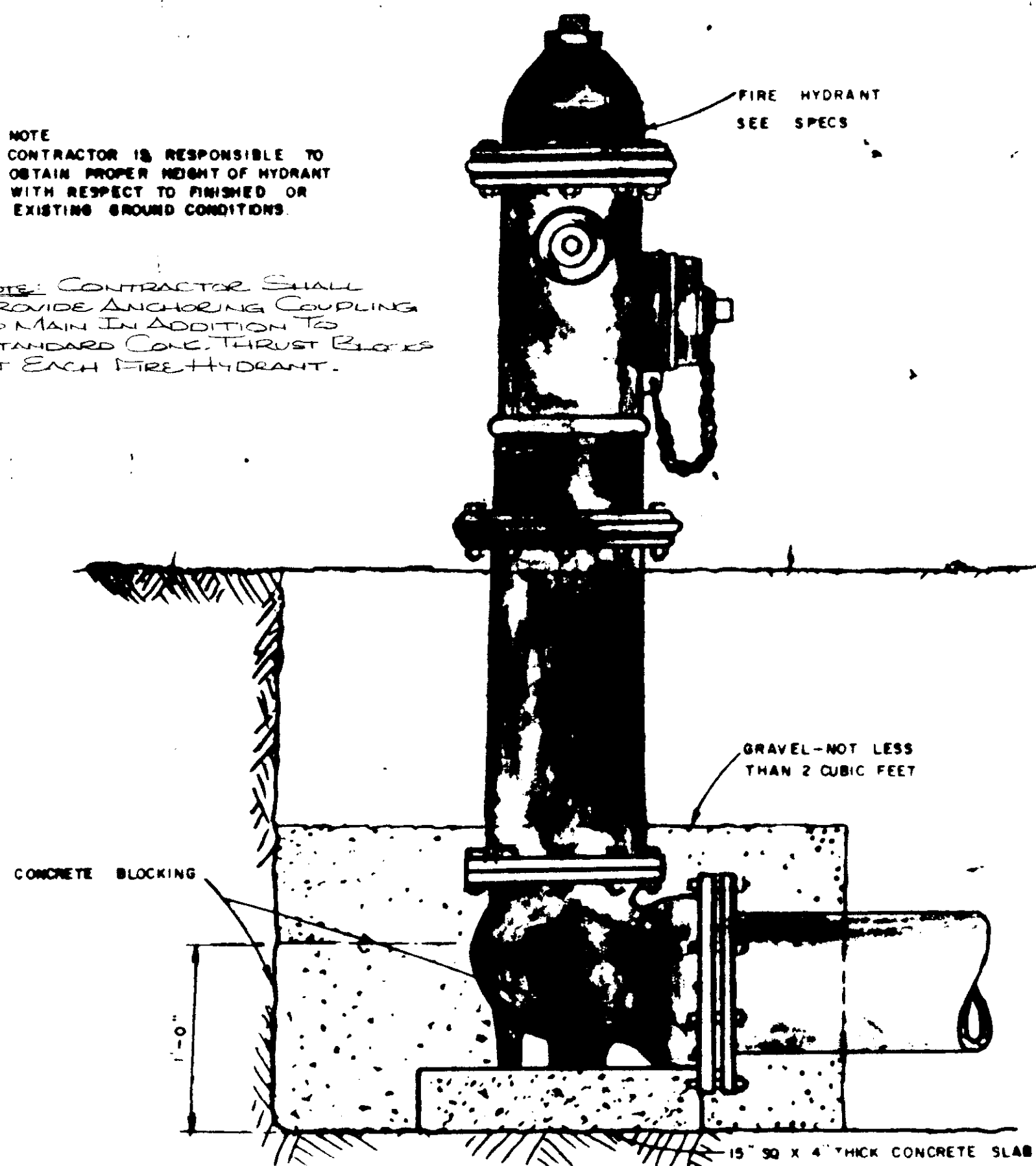


PLAN OF INLET  
MANHOLE DROP

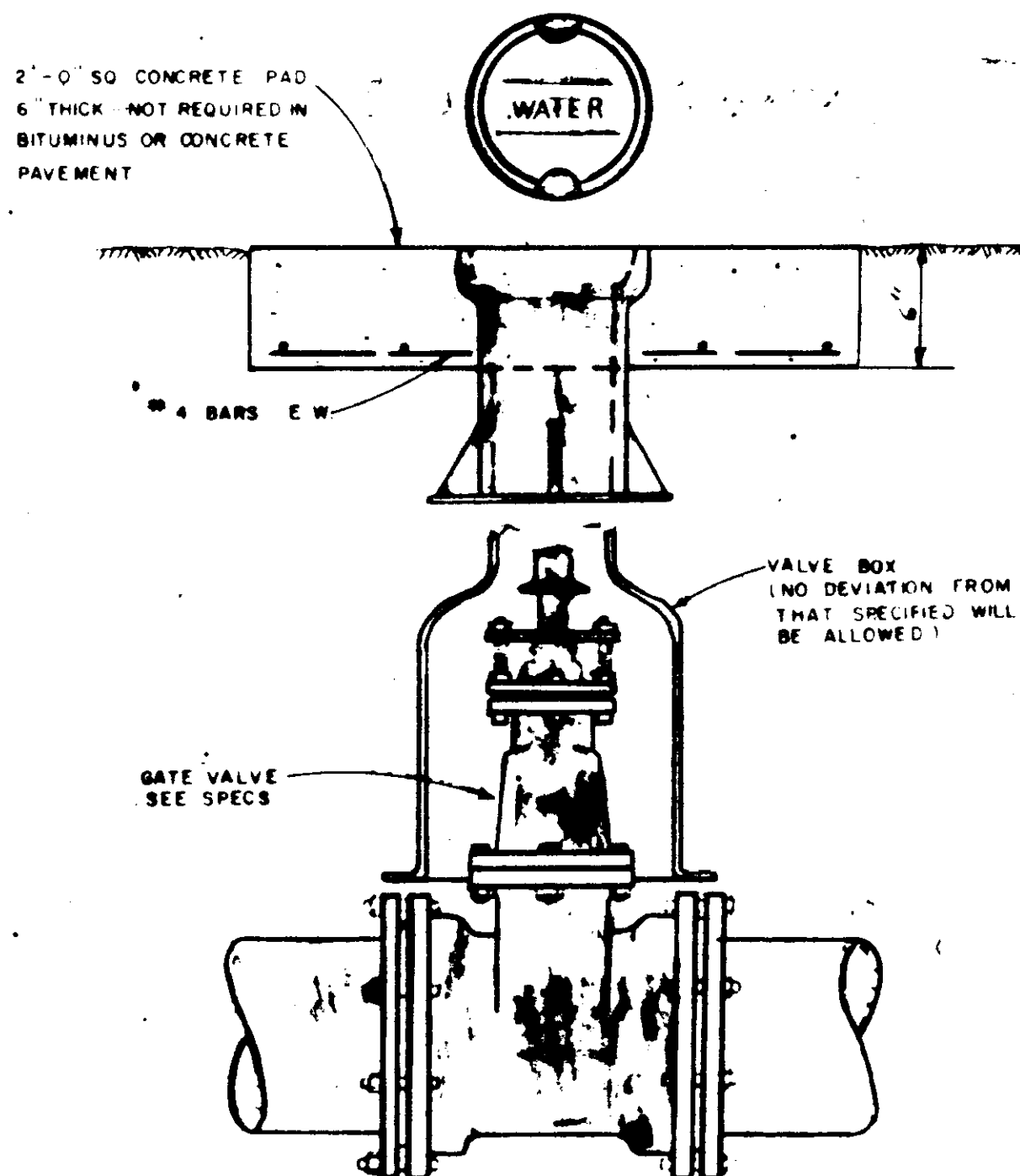
ORCHARD PARK  
Standard Detail  
CONTINENTAL CONSULTANTS, INC.  
Jackson, Mississippi  
CASE and ASSOCIATES, INC.  
Jackson, Mississippi

NOTE  
CONTRACTOR IS RESPONSIBLE TO  
OBTAIN PROPER HEIGHT OF HYDRANT  
WITH RESPECT TO FINISHED OR  
EXISTING GROUND CONDITIONS

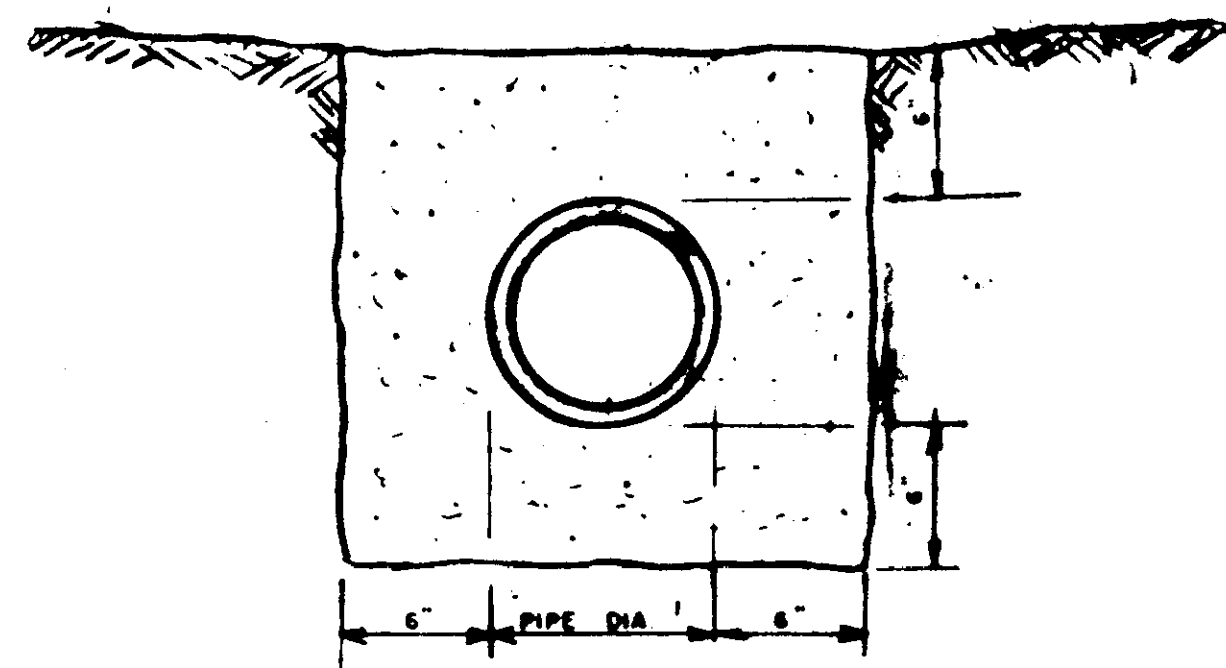
NOTE: CONTRACTOR SHALL  
PROVIDE ANCHORING COUPLING  
TO MAIN IN ADDITION TO  
STANDARD CONE THRUST BLOCS  
AT EACH FIRE HYDRANT.



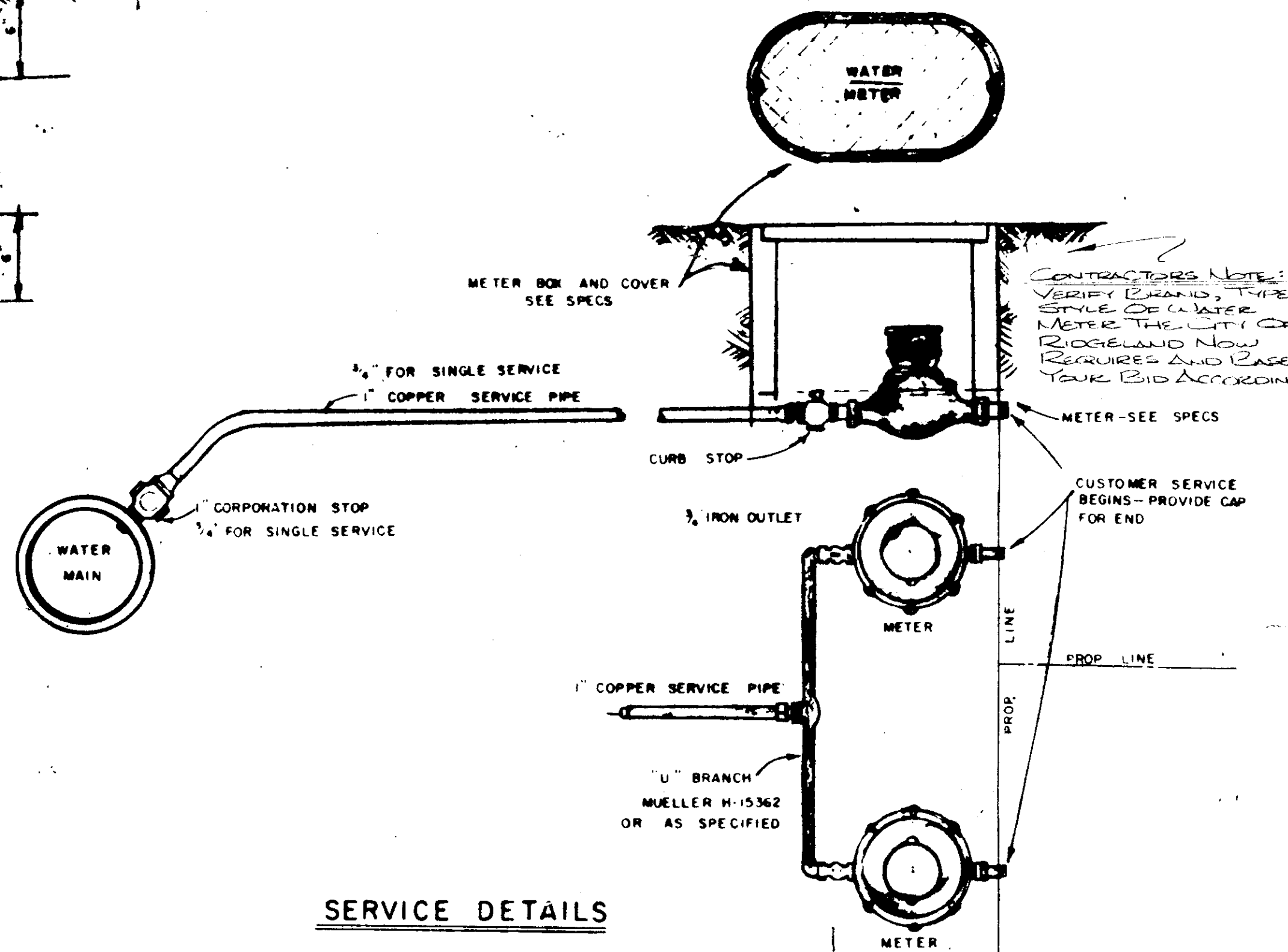
FIRE HYDRANT DETAIL



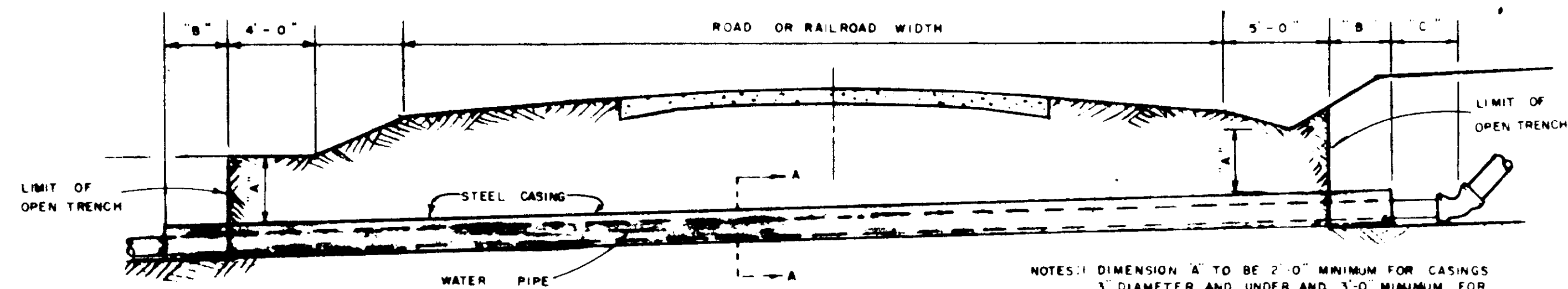
VALVE & BOX DETAIL



PIPE ENCASEMENT

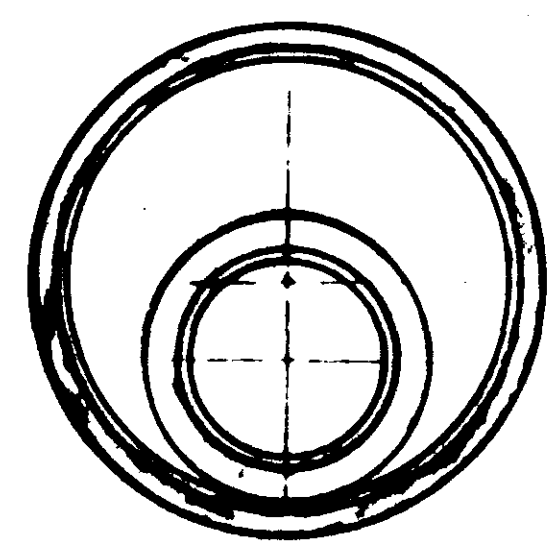


SERVICE DETAILS

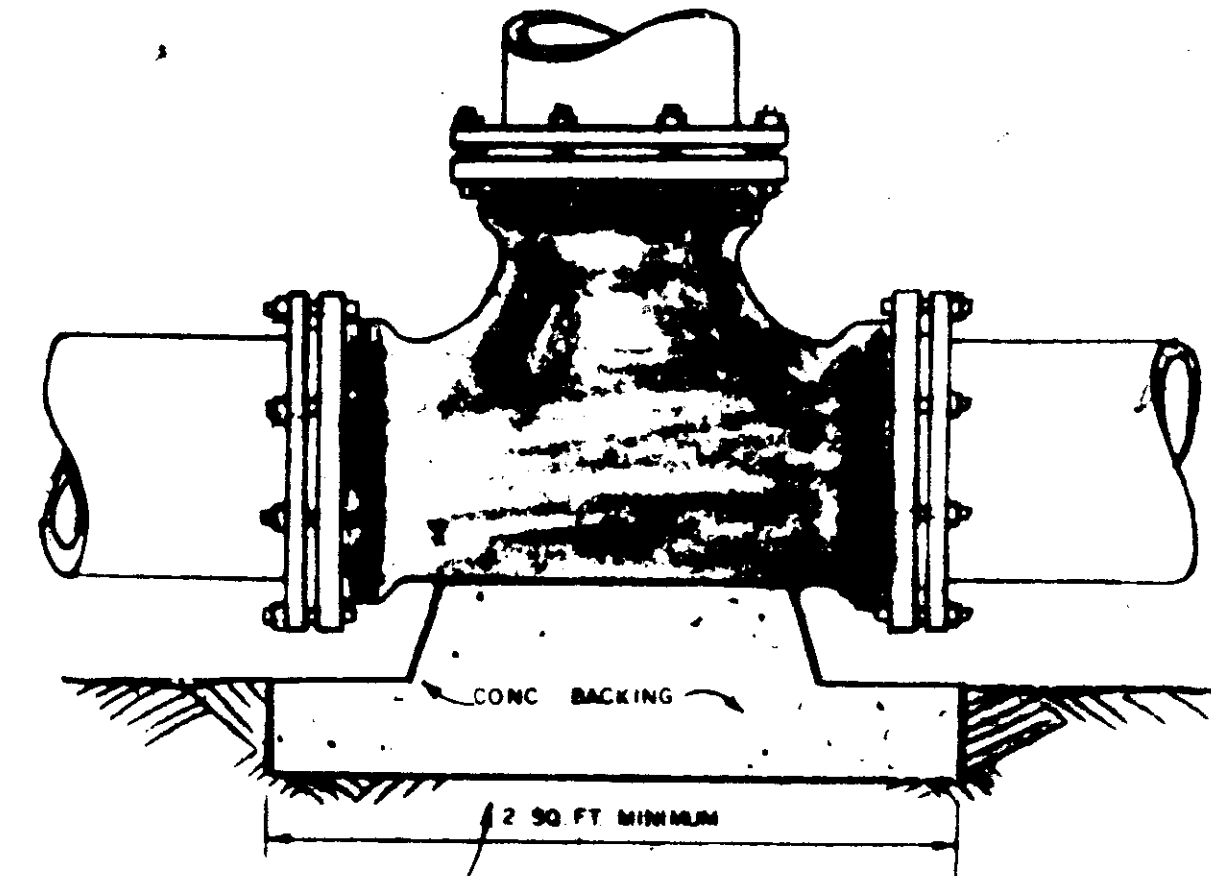


CROSSING DETAIL

NOTES: 1. DIMENSION 'A' TO BE 2'-0" MINIMUM FOR CASINGS 3" DIAMETER AND UNDER AND 3'-0" MINIMUM FOR CASINGS OVER 3" DIMENSIONS 'B' AND 'C' TO BE 2'-0" MINIMUM FOR LINES 3" DIAMETER AND UNDER AND 4'-0" MINIMUM FOR LINES OVER 3"  
2. ENCASEMENTS TO BE INSTALLED UNDER THE ROAD BY MEANS OF JACKING THROUGH OR BY DRY-BORING A HOLE THAT WILL RECEIVE THE CASING WITH SNUG FIT  
3. CORRUGATED METAL OR STEEL CASING PIPE OPTIONAL FOR RAILROAD CROSSINGS HIGHWAY CROSSINGS - STEEL PIPE ONLY  
4. 'B' DIMENSION WILL BE PAID FOR AS CIR IN CASING  
5. BORED OR JACKED CASING TO BE PAID FOR TO LIMIT OF OPEN TRENCH ONLY  
6. WHERE THERE IS CONFLICT WITH THE PLANS AND HIGHWAY AND RAILROAD CROSSING PERMITS THE APPROVED PERMITS WILL GOVERN

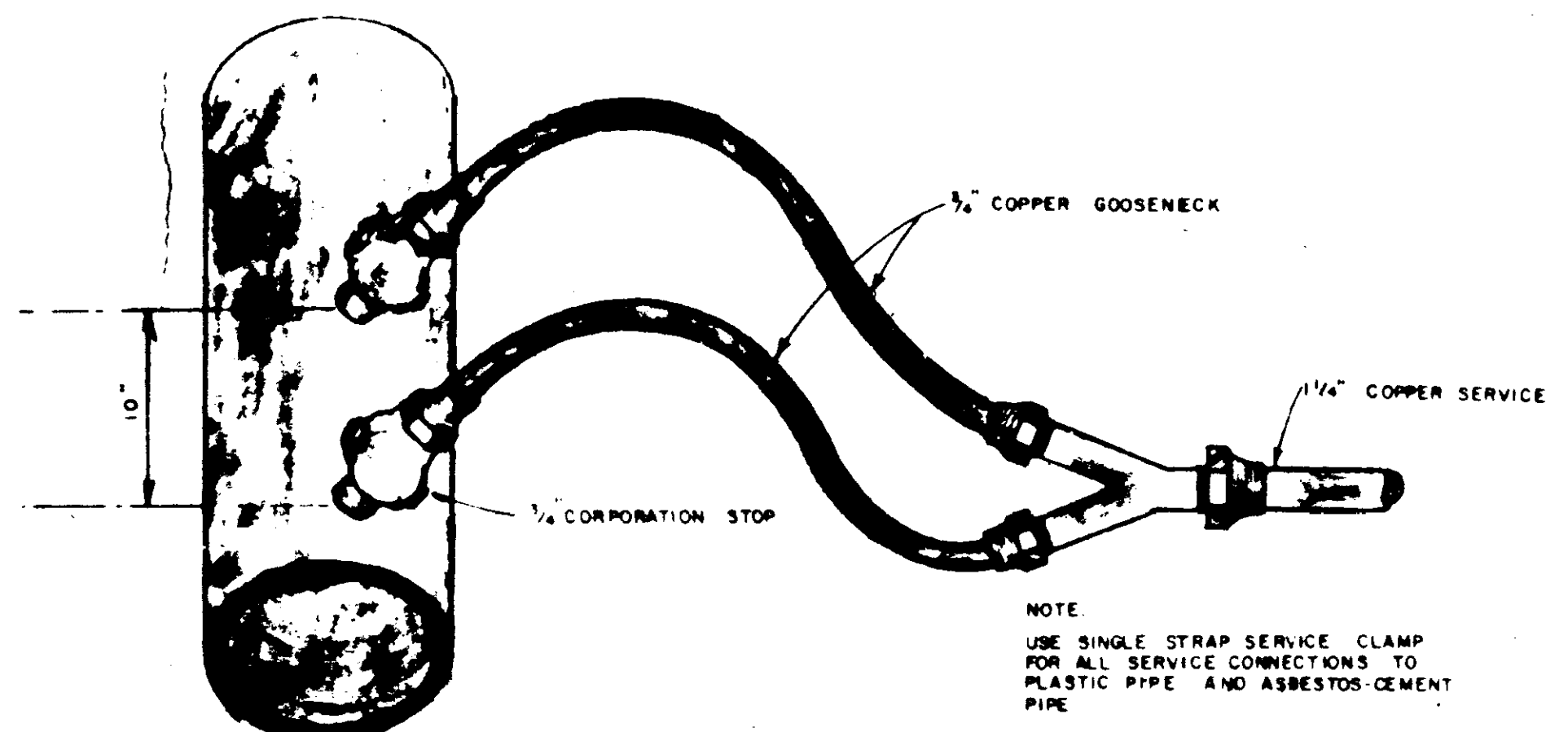


SECTION A-A



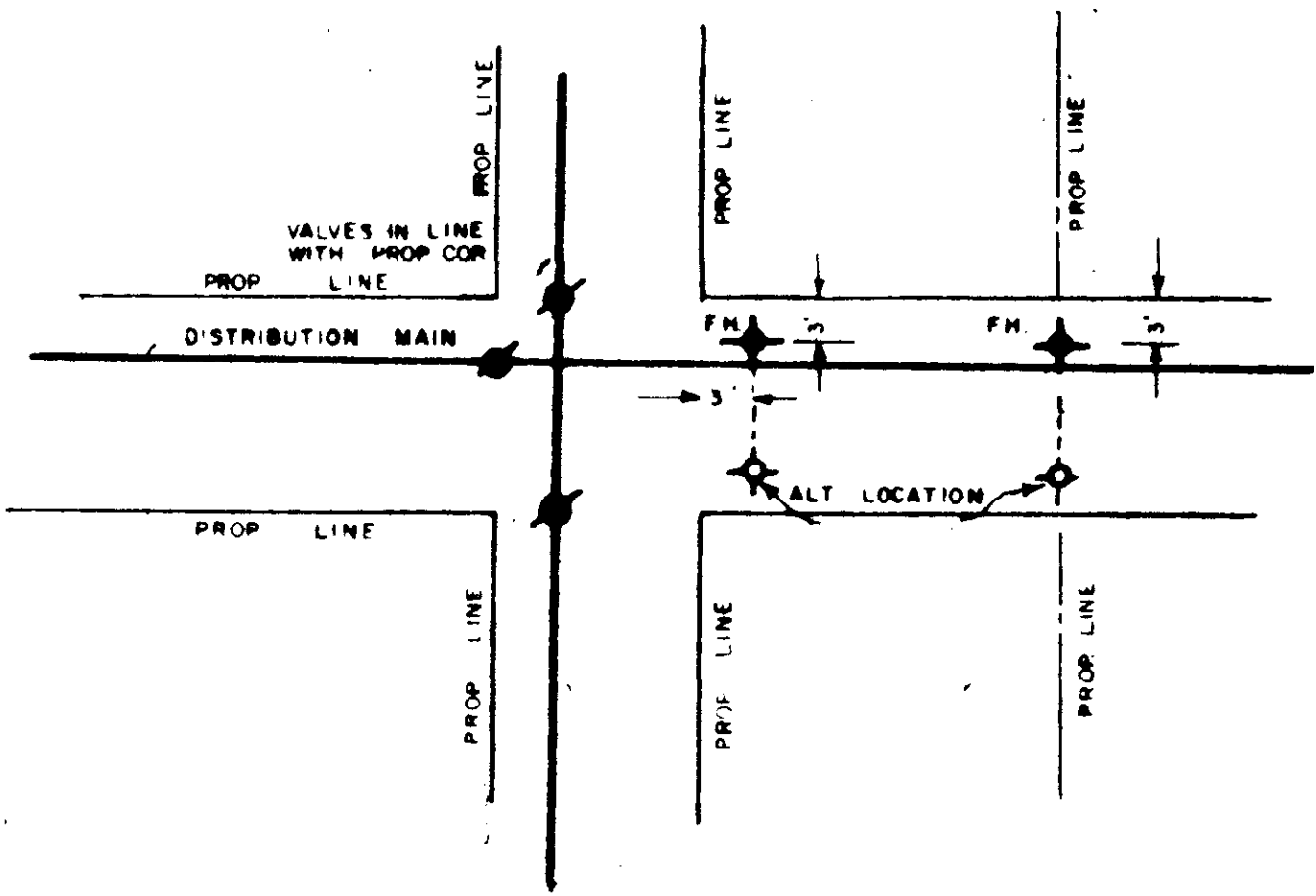
NOTE  
2 50 FT MINIMUM AREA IN CONTACT WITH UNDISTURBED EARTH - LEAVE FITTINGS AND JOINTS ACCESSIBLE

BEND & TEE DETAILS



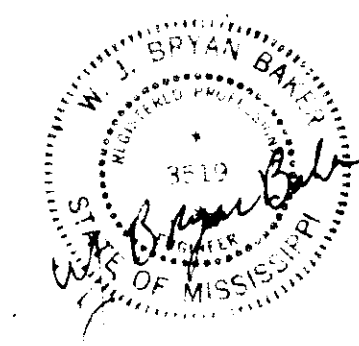
SERVICE CONNECTIONS

NOTE  
USE SINGLE STRAP SERVICE CLAMP FOR ALL SERVICE CONNECTIONS TO PLASTIC PIPE AND ASBESTOS-CEMENT PIPE



TYPICAL DETAIL OF VALVE AND HYDRANT LOCATIONS

GENERAL NOTES  
1. NO ADDITIONAL COMPENSATION WILL BE ALLOWED FOR USE OF ADDITIONAL FITTINGS WHERE UNDERGROUND OBSTACLES ARE ENCOUNTERED, WITHOUT WRITTEN APPROVAL OF THE ENGINEER.  
2. ALL WATER LINES WITHIN ROW LIMITS OF HIGHWAYS AND RAILROADS ARE TO BE INSTALLED IN STRICT ACCORDANCE WITH THE APPROVED PERMITS.  
3. CONTRACTOR WILL COORDINATE THE LOCATION OF EXISTING UTILITIES WITH THE PROPER AUTHORITIES.



ORCHARD PARK		
Standard Detail		
CONTINENTAL CONSULTANTS, INC. JACKSON, MISSISSIPPI		
CASE and ASSOCIATES, INC. JACKSON, MISSISSIPPI		
SCALE: 1" = 100'	DATE: 1/22/52	SHEET 3 OF 3