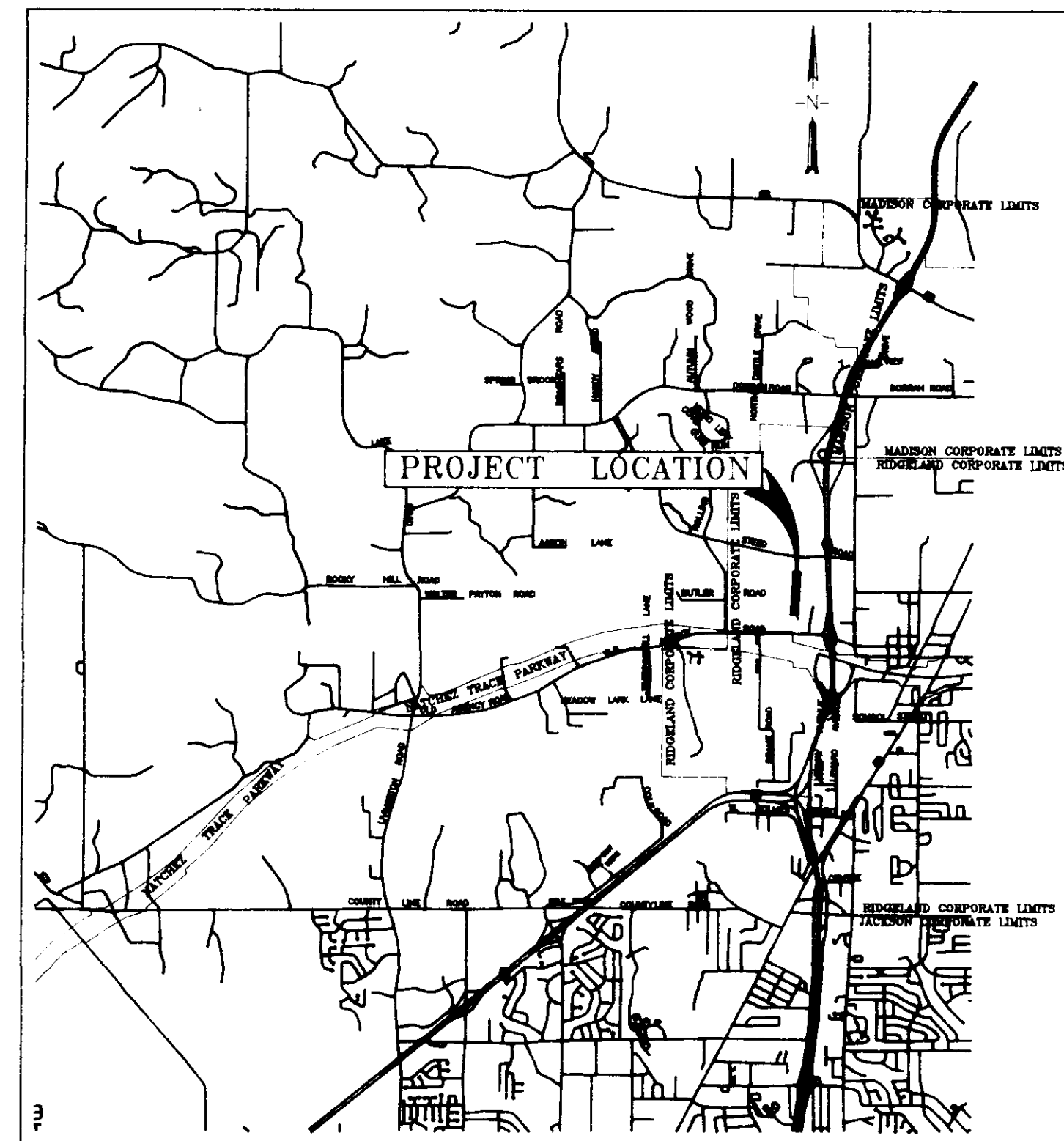


CITY OF RIDGELAND, MISSISSIPPI
PURPLE CREEK SEWER EXTENSION
PHASE II CONTRACT I

Mayor:
Gene F. McGee

Mayor Pro Tem:
Harvey Carr, Jr.

City Attorney:
Jerry Mills



VICINITY MAP

September, 1990

WAGGONER ENGINEERING, INC.
Consulting Engineers
Jackson, Mississippi

Aldermen:

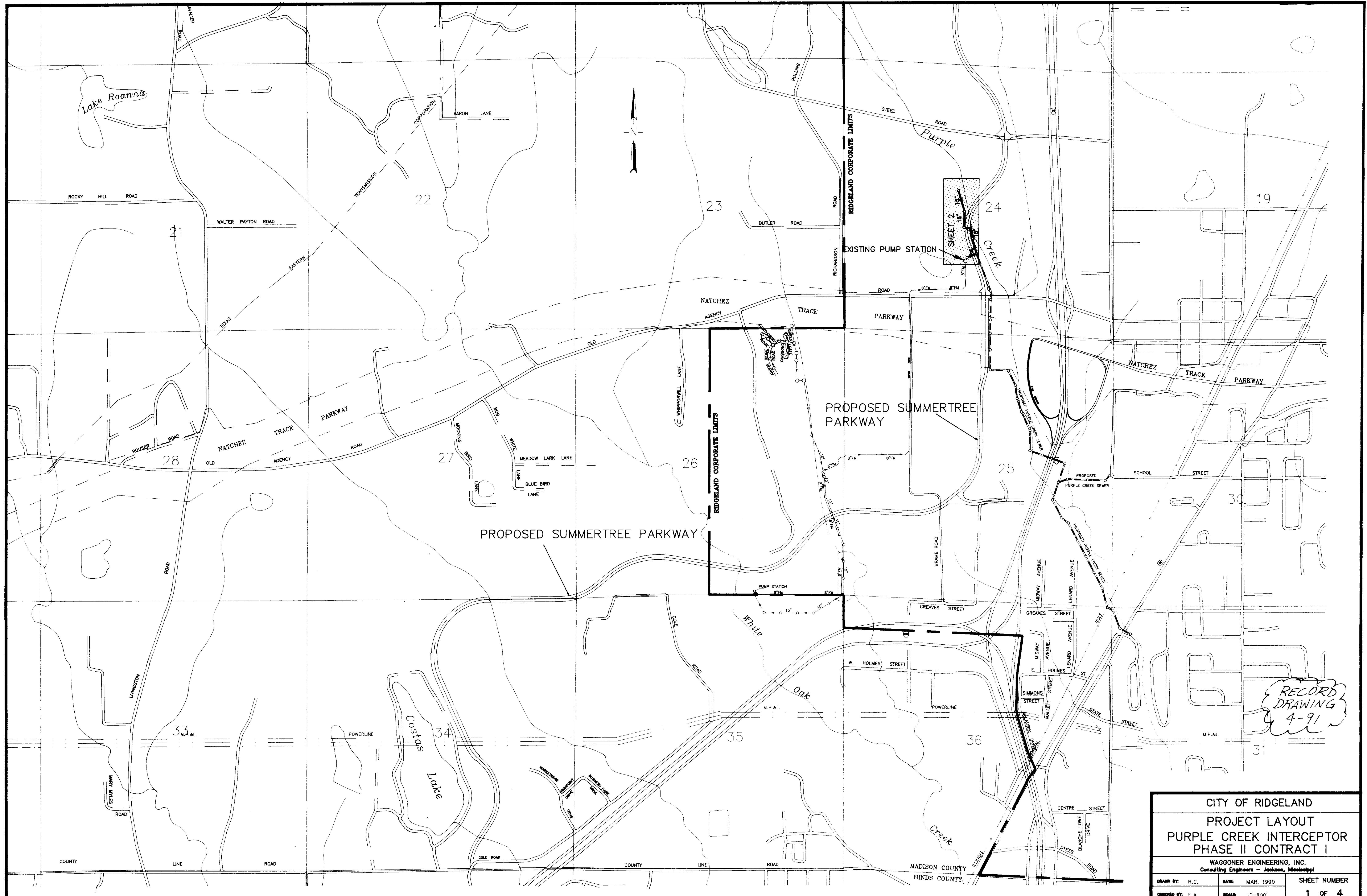
Brian Barcellona
Al Bible
Harvey Carr, Jr.
Linda Davis
Daryl Smith

Public Works Director:
Sam Vincent

City Clerk:
Mike McPhearson

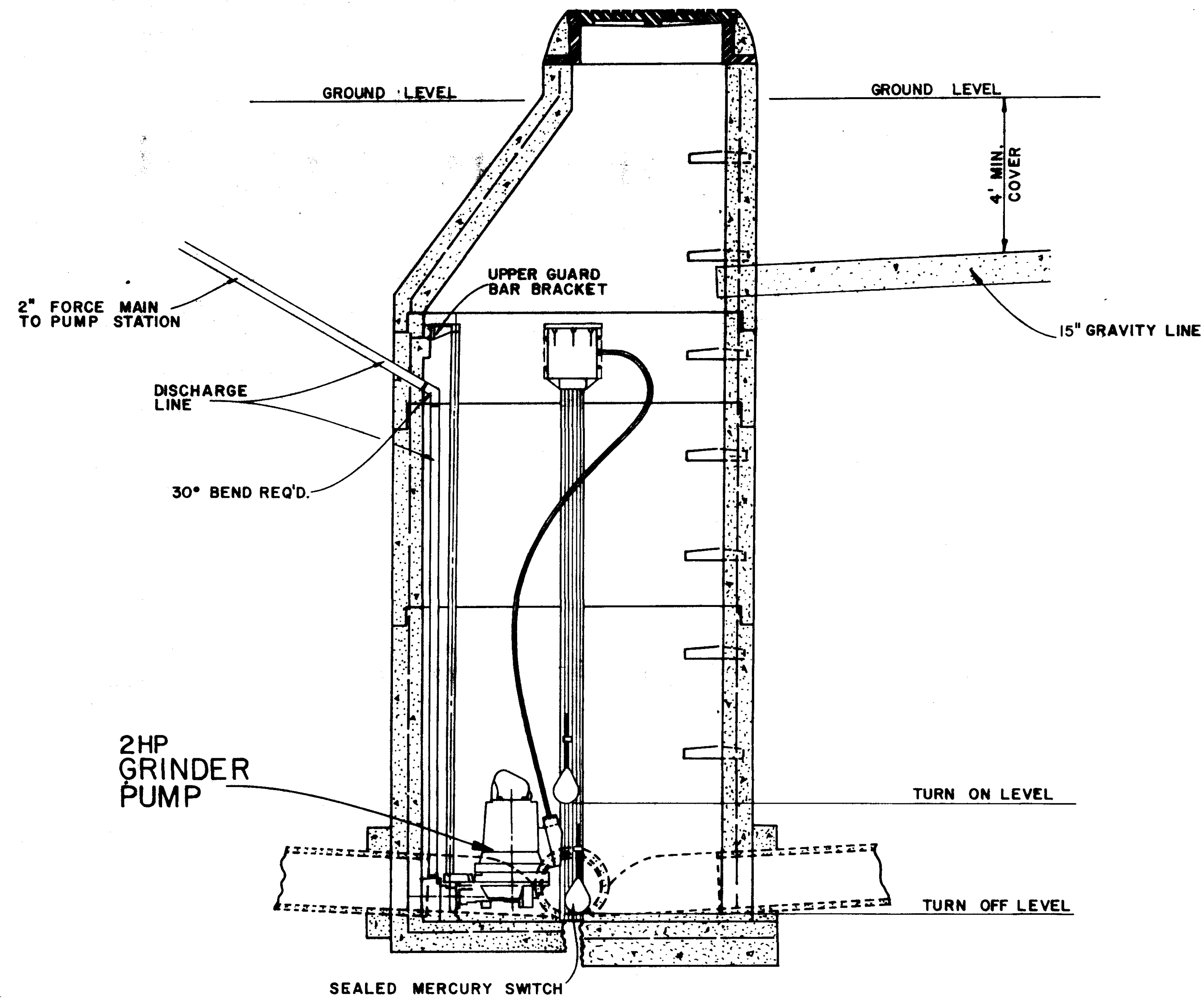
RECORD DRAWING
4-91

PWP-1619



RECORD
DRAWING
4-91

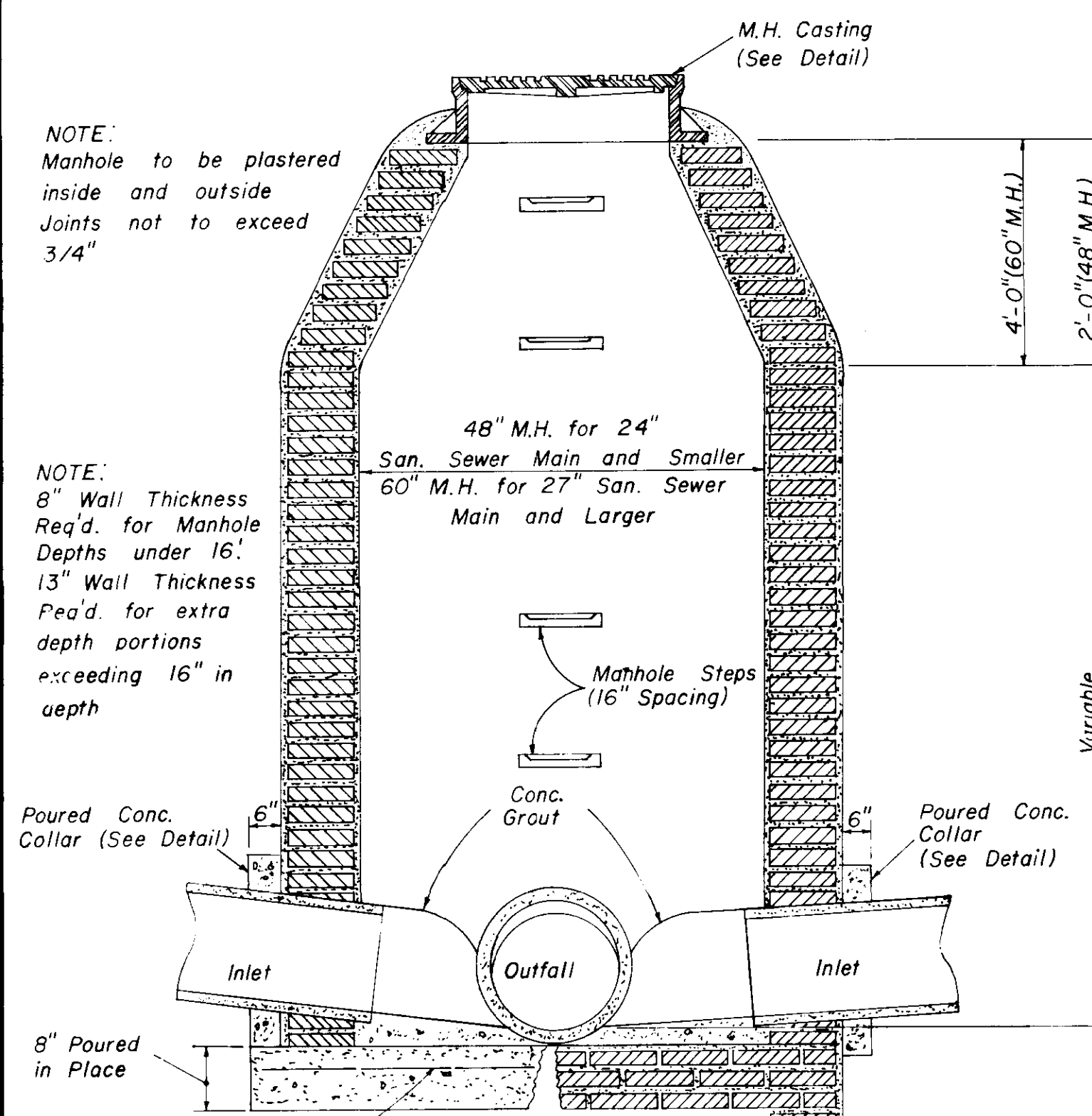
| | | |
|---|-----------------|--------------|
| CITY OF RIDGELAND | | |
| PROJECT LAYOUT | | |
| PURPLE CREEK INTERCEPTOR | | |
| PHASE II CONTRACT I | | |
| WAGGONER ENGINEERING, INC. | | |
| Consulting Engineers - Jackson, Mississippi | | |
| DRAWN BY: R.C. | DATE: MAR. 1990 | SHEET NUMBER |
| CHECKED BY: E.A. | SCALE: 1"=80' | 1 OF 4 |



RECORD DRAWING
4-91

PURPLE CREEK INTERCEPTOR
PHASE II CONTRACT I

| | | |
|--|-----------------------------|--------------------------|
| WASTEWATER GRINDER PUMP DETAIL | | |
| <small>WAGGONER ENGINEERING INC. Consulting Engineers - Jackson / Brandon, Ms.</small> | | |
| <small>DRAWN BY: E.L.G.</small> | <small>DATE: 4-5-90</small> | <small>SHEET NO.</small> |
| <small>CHECKED BY: T.C.</small> | <small>SCALE: NONE</small> | <small>3 OF 4</small> |
| <small>APPROVED BY:</small> | | |

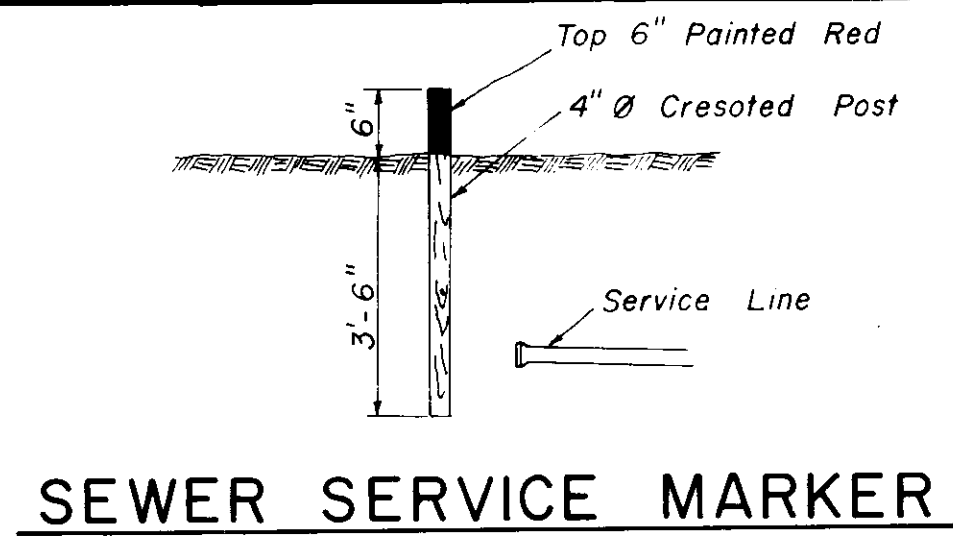


NOTE: Manhole to be plastered inside and outside. Joints not to exceed 3/4"

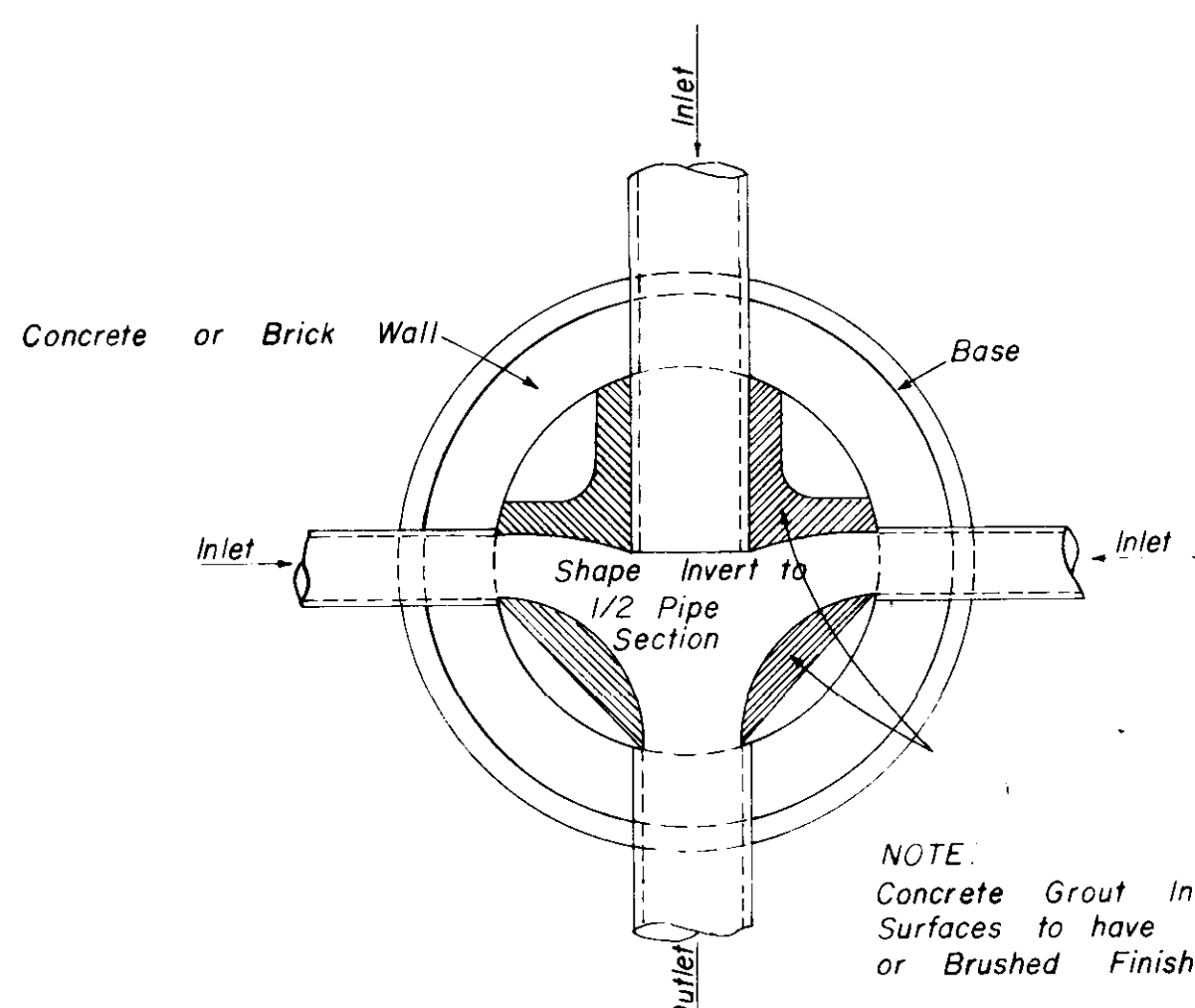
NOTE: 8" Wall Thickness Req'd. for Manhole Depths under 16'. 13" Wall Thickness Req'd. for extra depth portions exceeding 16" in depth.

No. 4 \emptyset Bars at 10" C.C. on 48" M.H.
No. 4 \emptyset Bars at 9" C.C. on 60" M.H.

**SECTION
STANDARD BRICK MANHOLE**

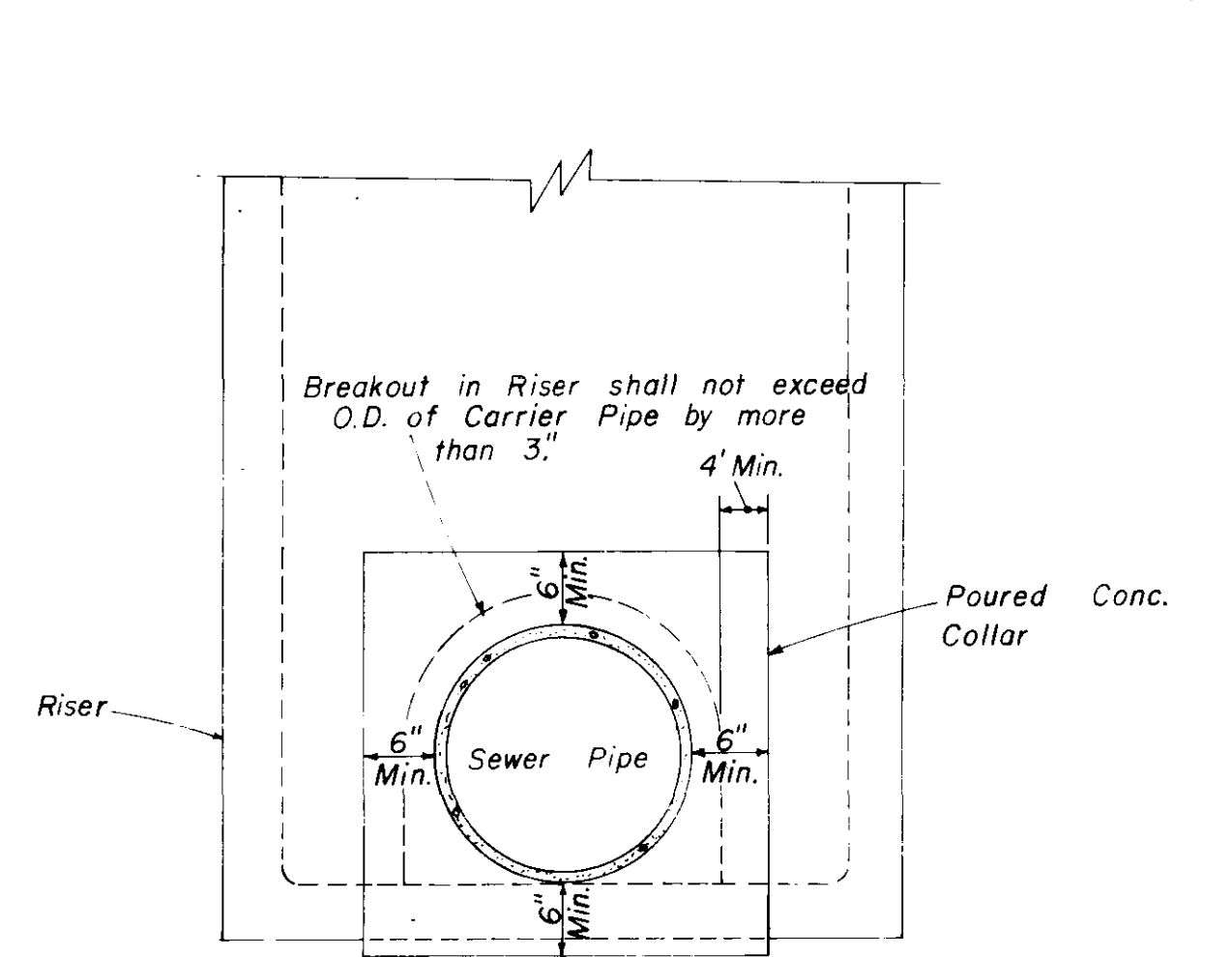


SEWER SERVICE MARKER

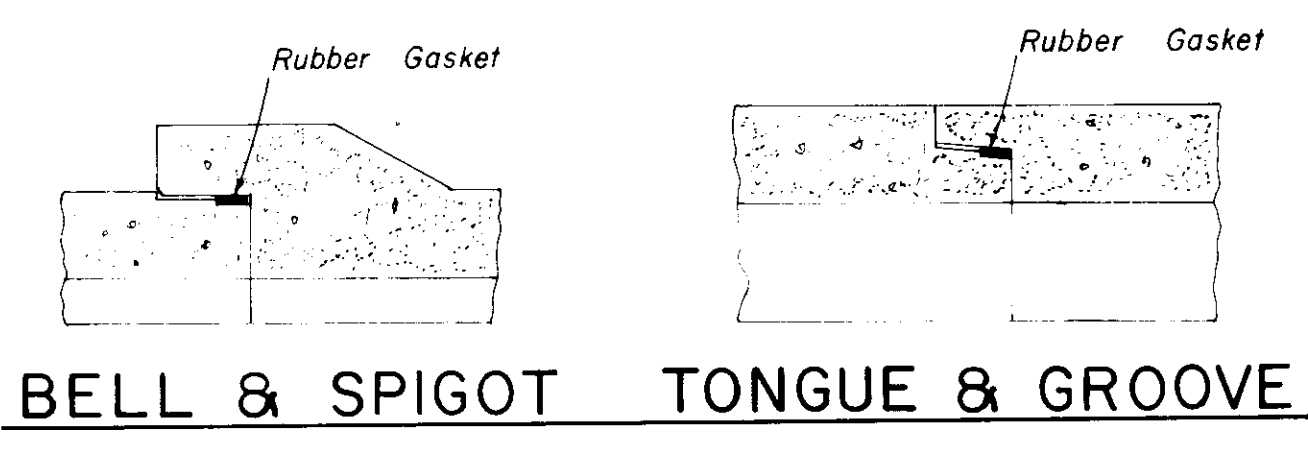


**PLAN OF MANHOLE
FLOW CHANNELS**

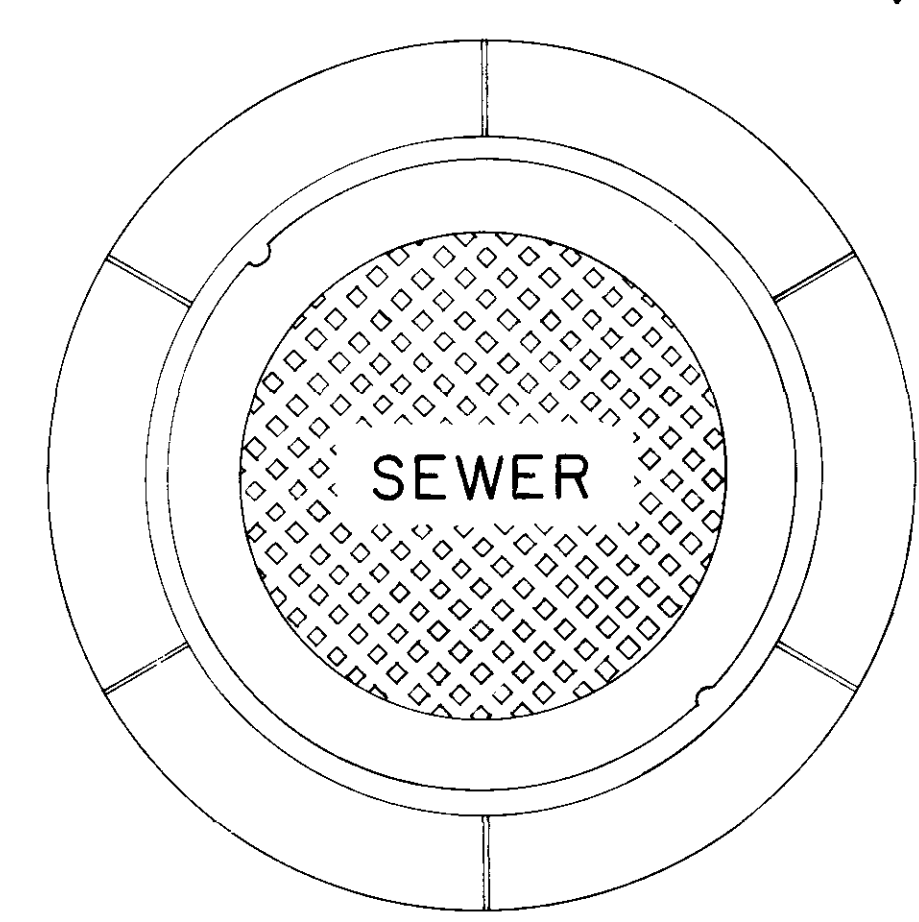
NOTE: Concrete Grout Invert Surfaces to have Smooth or Brushed Finish.



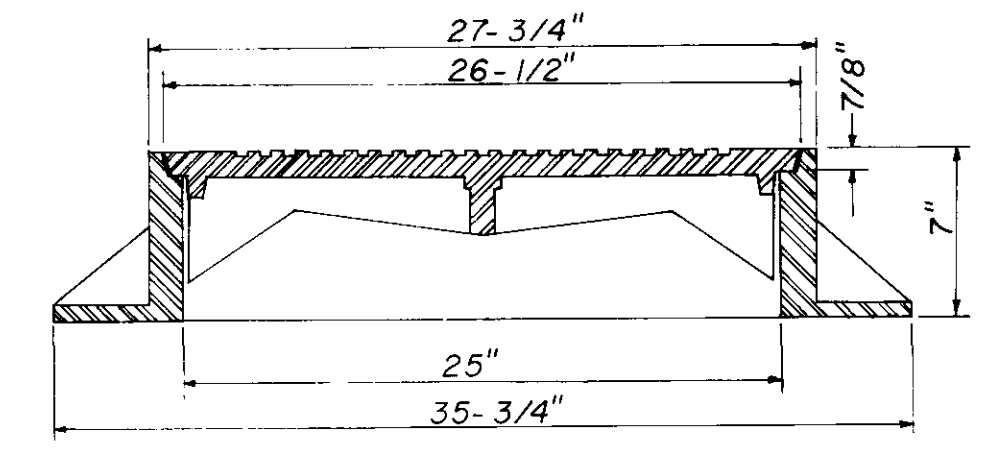
**ELEVATION
CONCRETE COLLAR AT
MANHOLE CONNECTION**



**BELL & SPIGOT TONGUE & GROOVE
JOINT DETAILS**

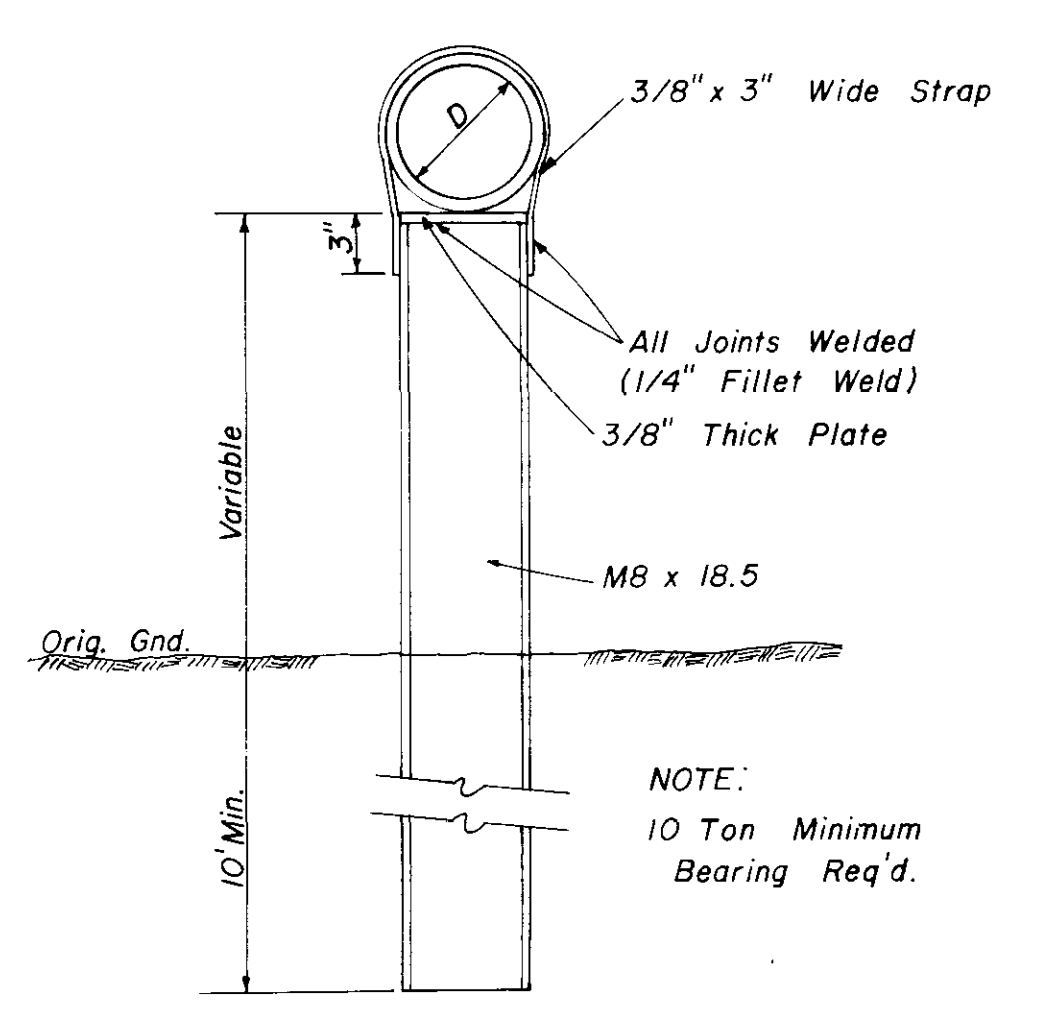


**PLAN
MANHOLE CASTING**

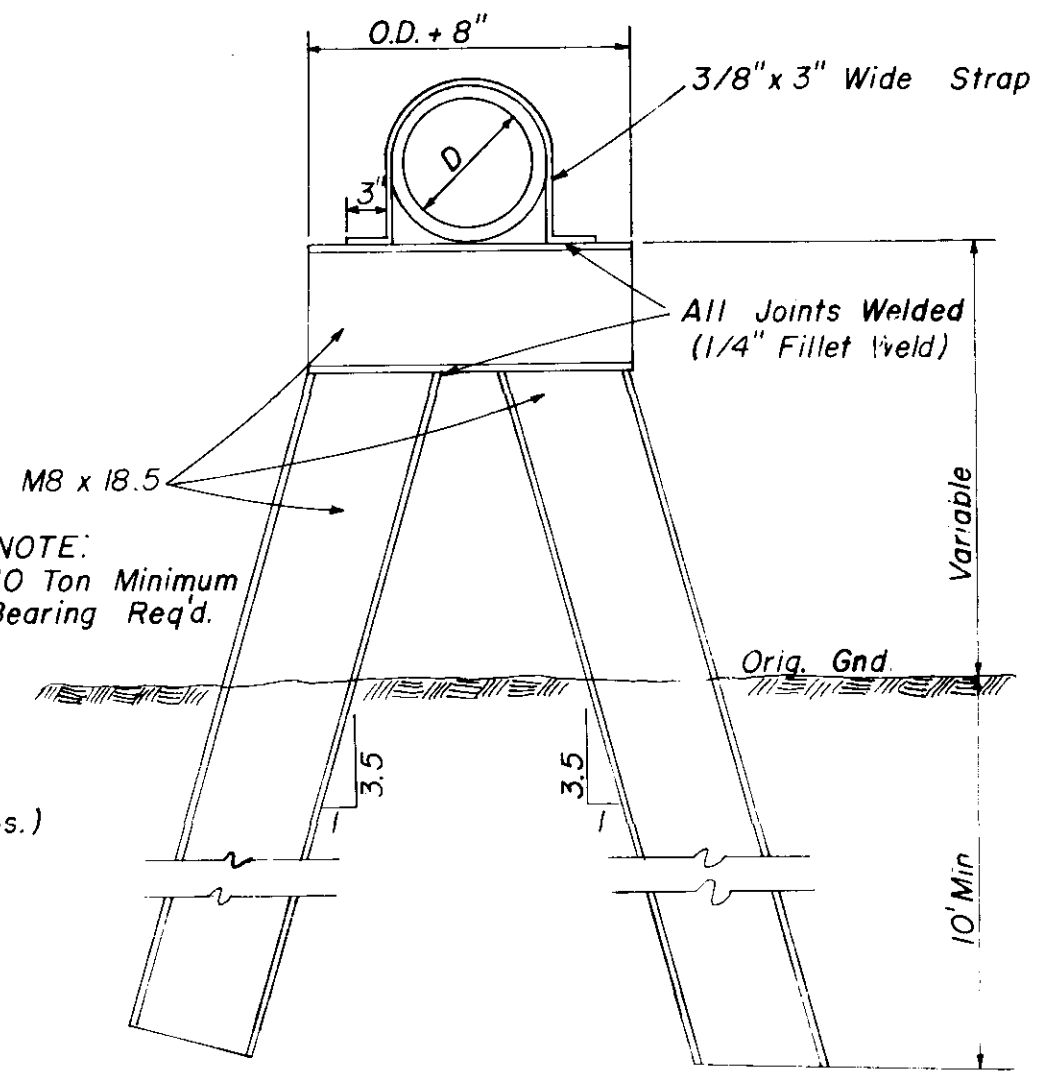


**SECTION
TYPE "A" MANHOLE CASTING**

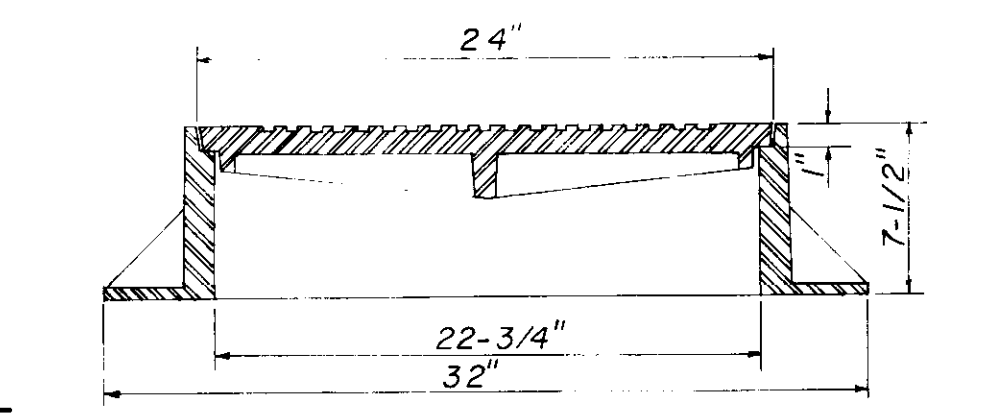
NOTE: 1. Use Type "A" Manhole Casting in Street R.O.W.
2. Use Harper No. 2, City of Jackson Standard (420 lbs.) or Vulcan No. VM-15, City of Jackson Standard (420 lbs.)



**DETAIL
TYPE "A" PIER**

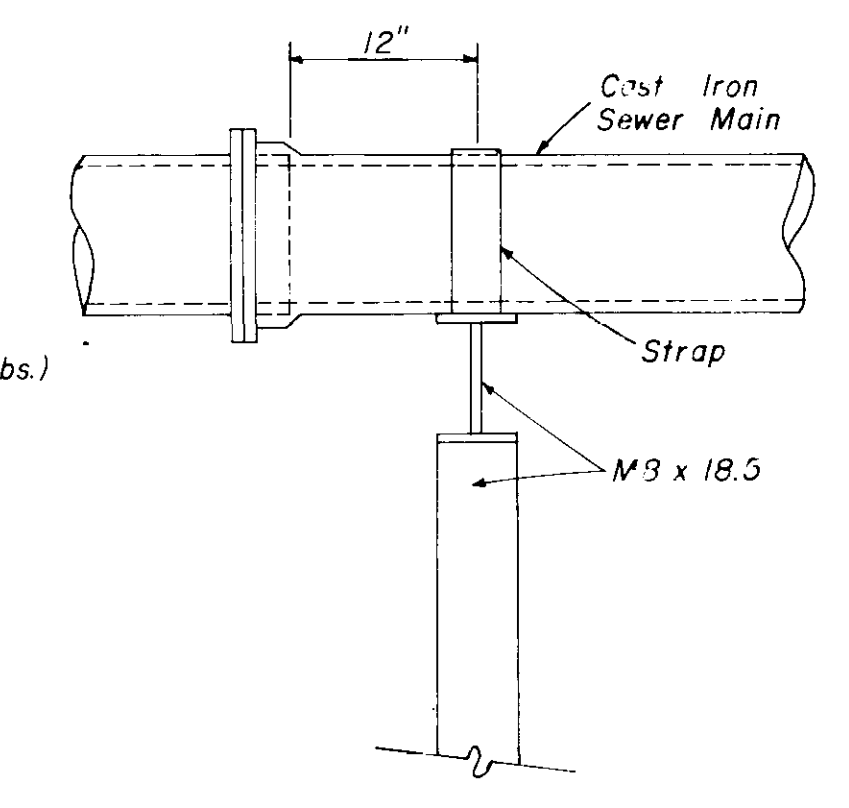


**DETAIL
TYPE "B" PIER**

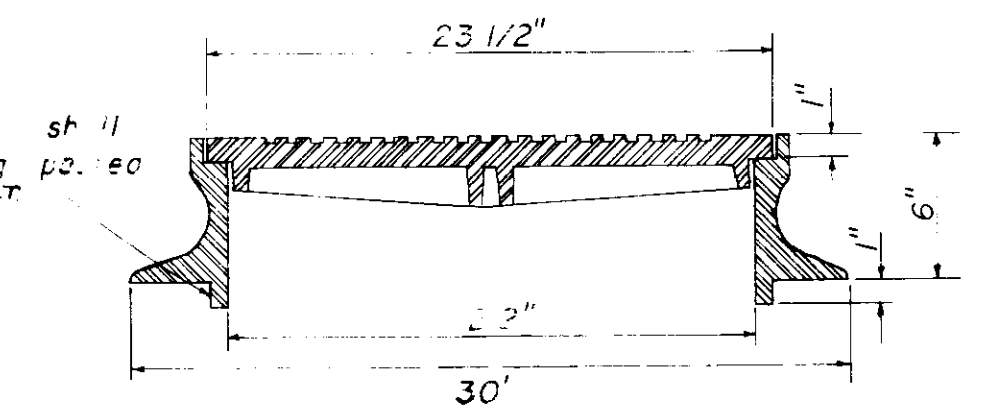


**SECTION
TYPE "B" MANHOLE CASTING**

NOTE: 1. Use Type "B" Manhole Casting for any Manhole not in a Street R.O.W.
2. Use Harper No. 1 (M.S.P.E. Standard) Light Weight (330 lbs.) or Vulcan No. VM-17 (300 lbs.) or Opelika Foundry No. C-2-1 (325 lbs.)

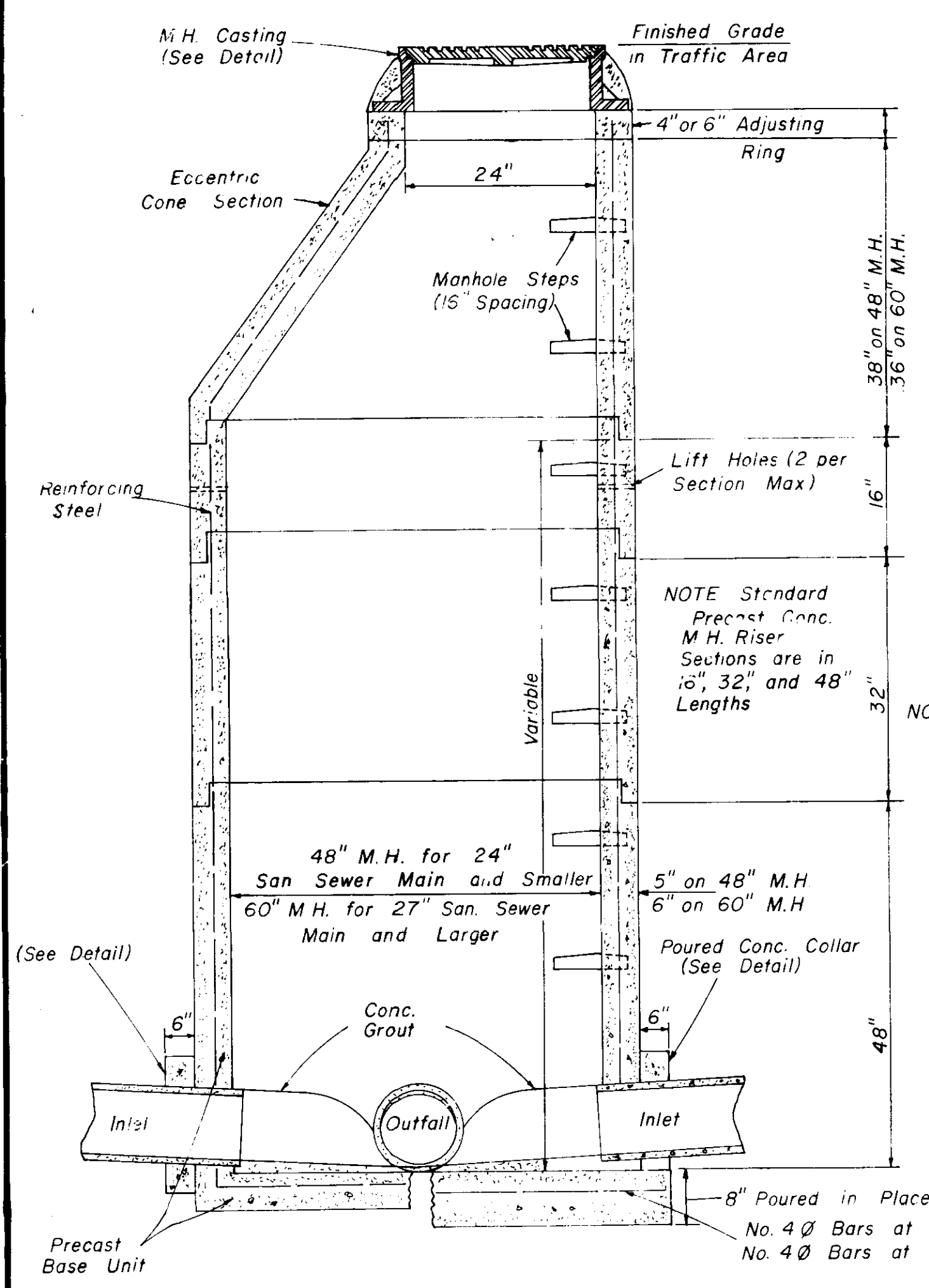


**SIDE ELEVATION
TYPE "B" PIER**



**SECTION
TYPE "C" MANHOLE CASTING**

NOTE: 1. Use Type "C" Manhole Casting for Precast Manhole not in a Street R.O.W.
2. Use Harper No. 8 (330 lbs.) or Neenah No. R-1779 (300 lbs.) or Vulcan No. VM-7 (330 lbs.)



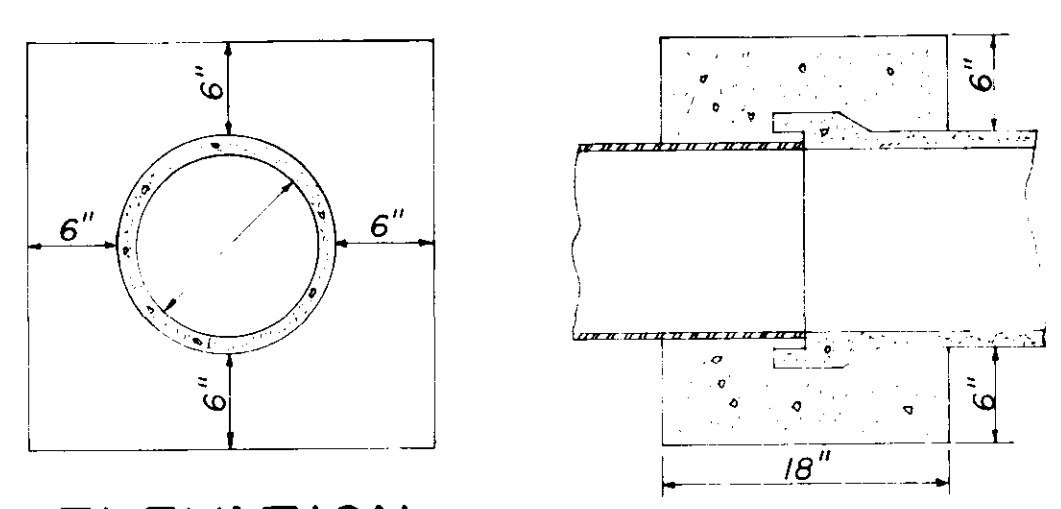
**SECTION
PRECAST CONCRETE MANHOLE**

NOTE: All Lift Holes on each Section shall be sealed Watertight with non-shrink Grout inside and outside

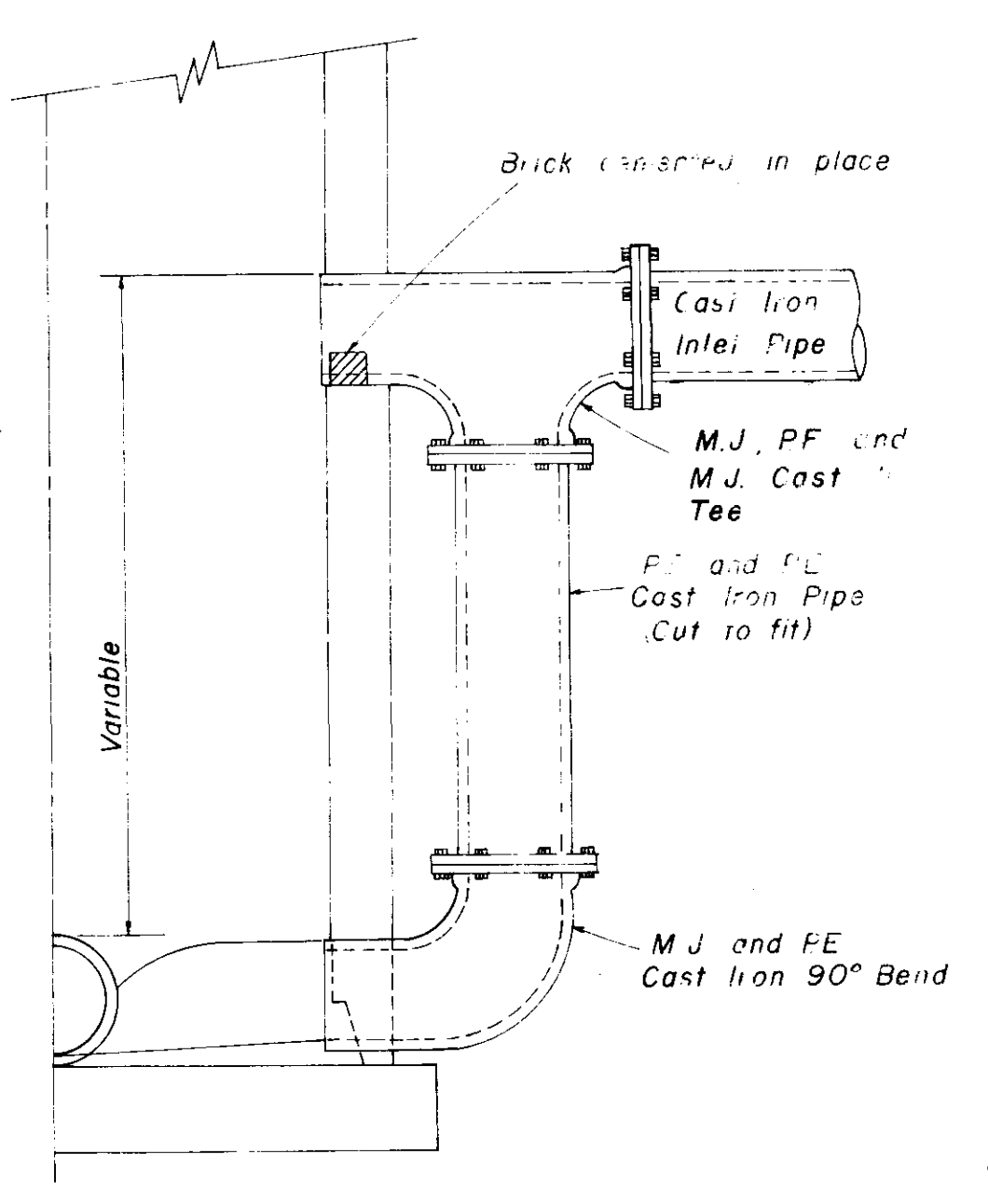
NOTE: Standard Precast Conc. M.H. Riser Sections are in 16", 32" and 48" Lengths

NOTE: All Manhole Joints to be Rubber Gasket

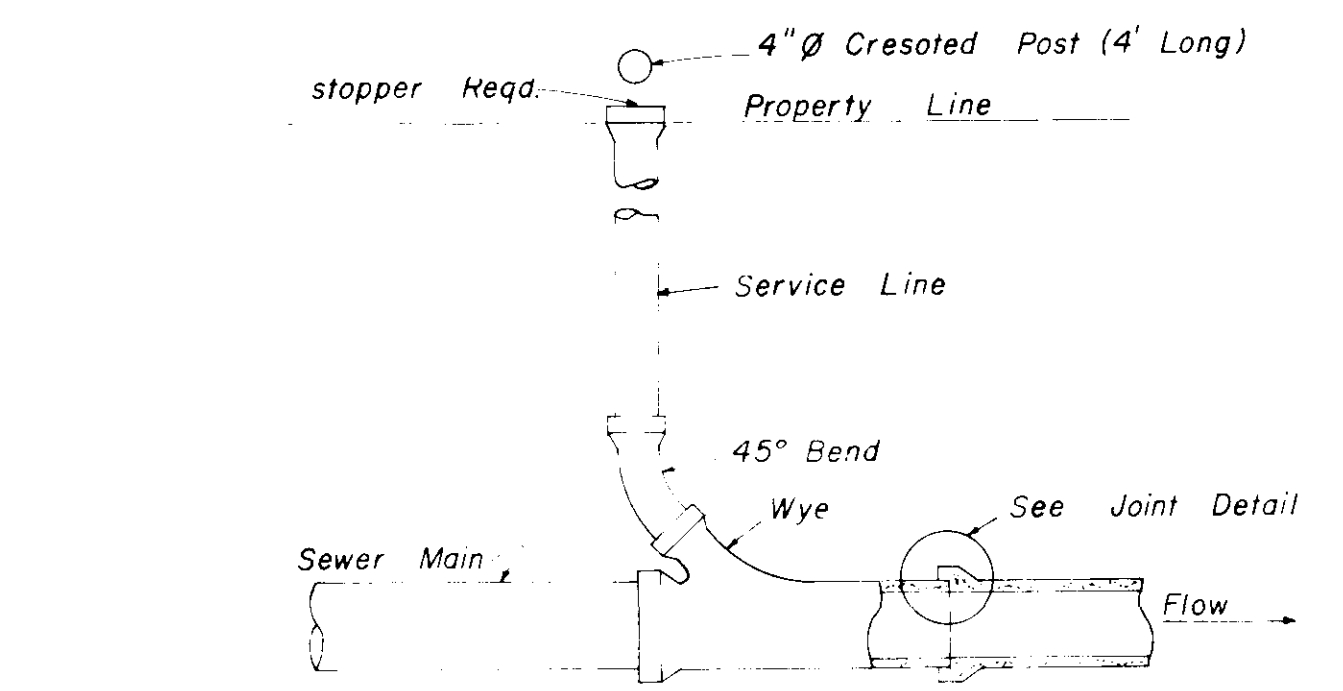
No. 4 \emptyset Bars at 10" C.C. on 48" M.H.
No. 4 \emptyset Bars at 9" C.C. on 60" M.H.



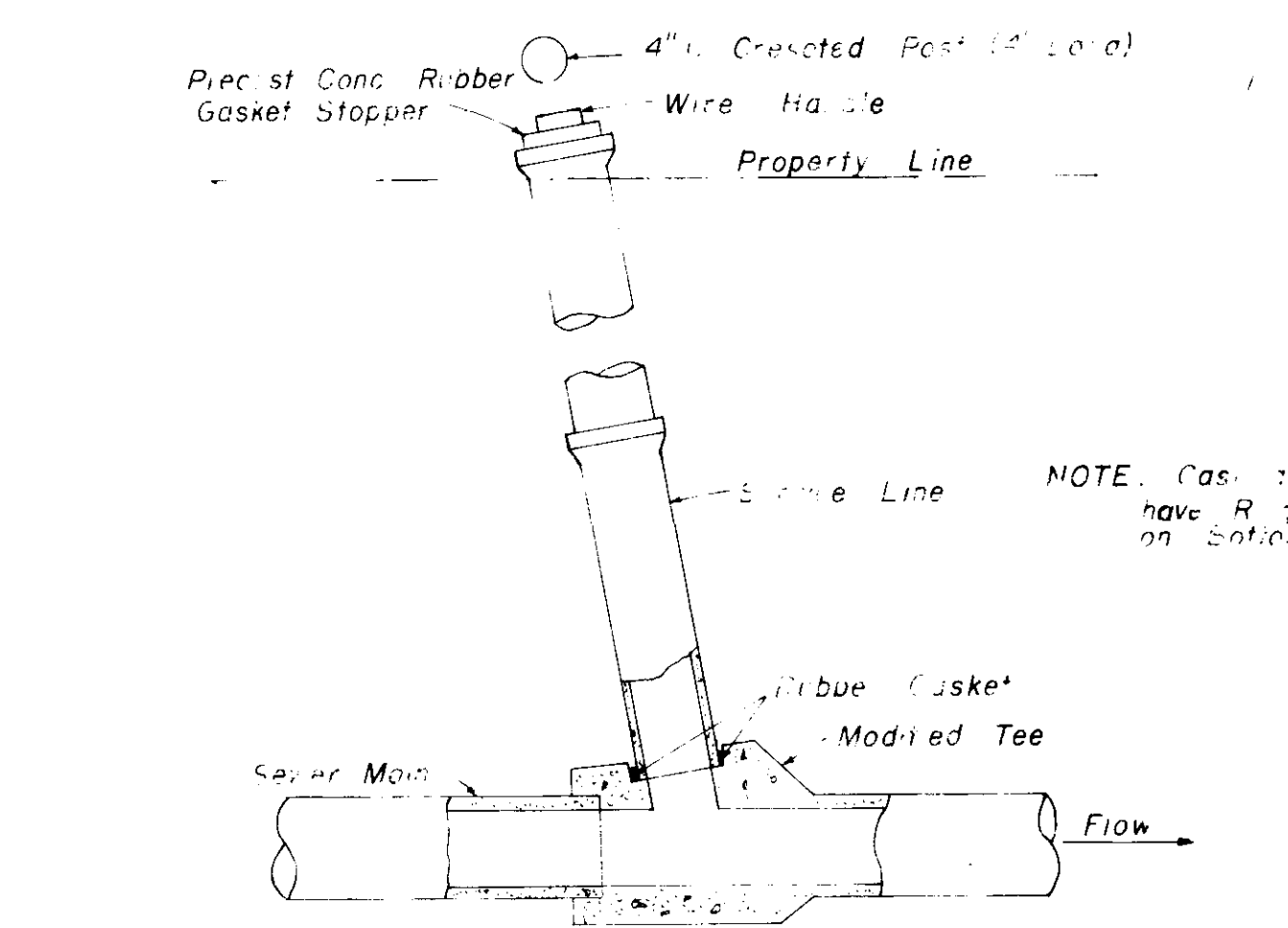
**ELEVATION
CONCRETE COLLAR DETAILS**



**HALF SECTION
MANHOLE WITH DROP CONNECTION**



**TYPICAL SERVICE TO PROPERTY LINE
WITH WYE JOINT**



**TYPICAL SERVICE TO PROPERTY LINE
WITH MODIFIED TEE JOINT**

**SANITARY SEWER
STANDARD DETAILS**

WAGGONER ENGINEERING INC.
Consulting Engineers — Jackson / Brandon, Ms.

| | |
|------------------|---------------|
| DRAWN BY: T.D.L. | DATE: 3-20-87 |
| CHK'ED BY: JAW | AS SHOWN |

4 of 4