

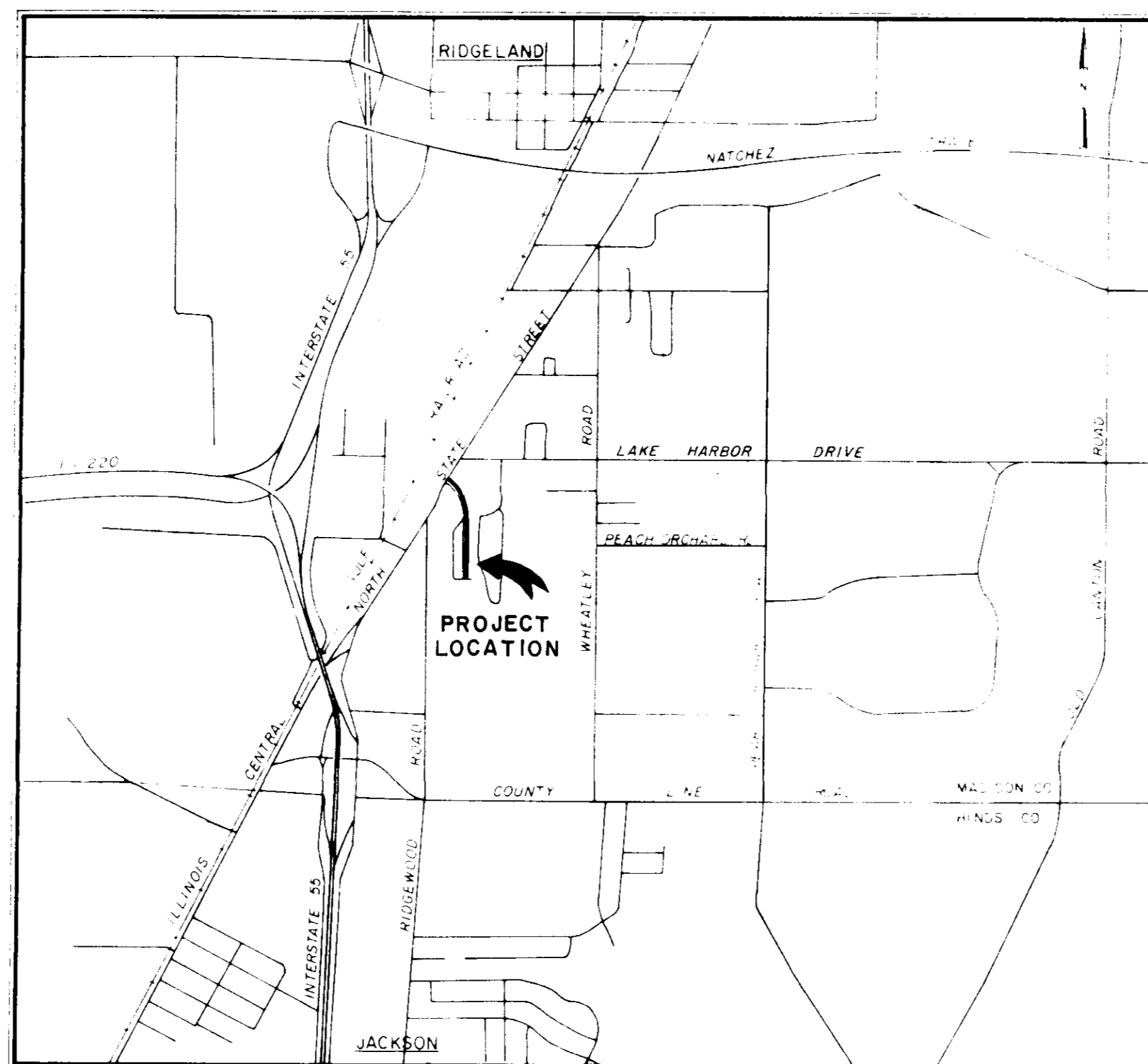
CITY OF RIDGELAND, MISSISSIPPI

PURPLE CREEK INTERCEPTOR SEWER EXTENSION

Mayor
Hite Wolcott

Mayor Pro Tem
Hilda Boyd

City Attorney
Milton Case



Aldermen
Al Bible
Hilda Boyd
Harvey Carr, Jr.
Gene McGee
Gilbert Sollek

Public Works Superintendent
Horace M. Ross

FEBRUARY 1987

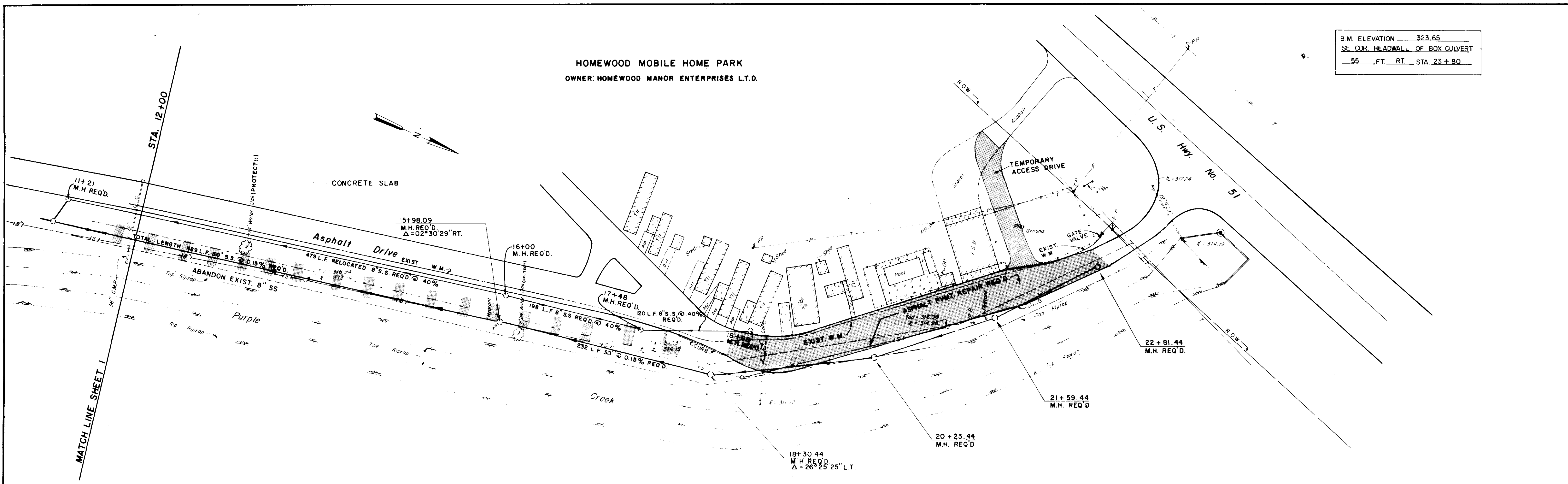
Waggoner Engineering Inc.
Consulting Engineers
Brandon/Jackson, Ms.

PWP-1615

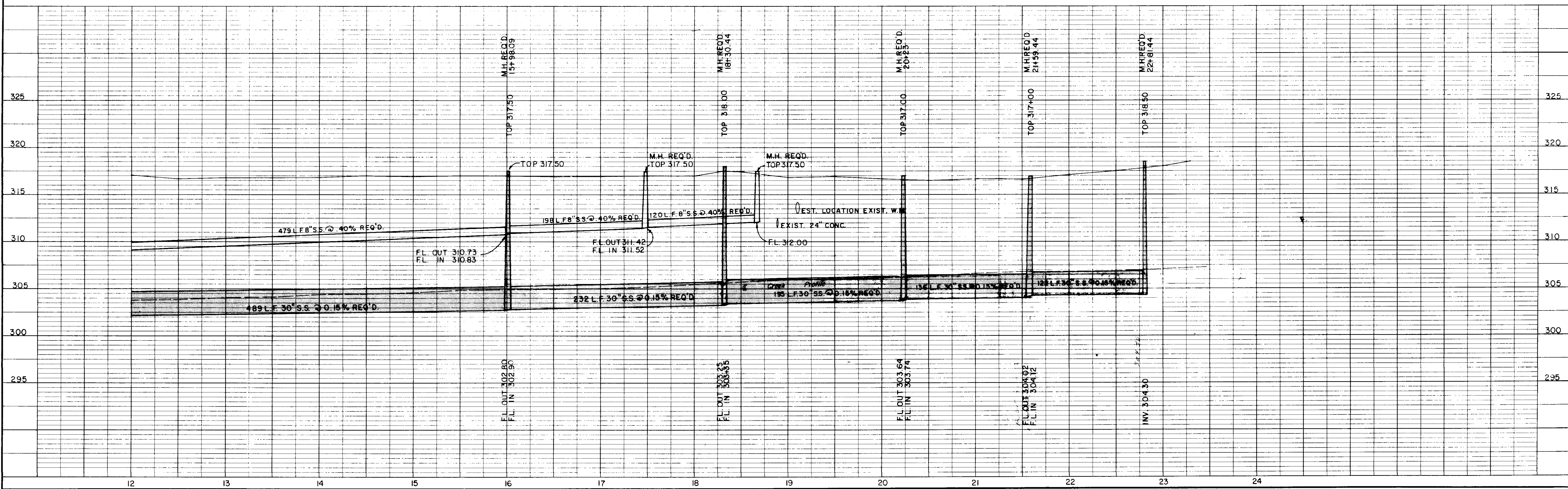
HOMWOOD MOBILE HOME PARK
OWNER: HOMWOOD MANOR ENTERPRISES L.T.D.

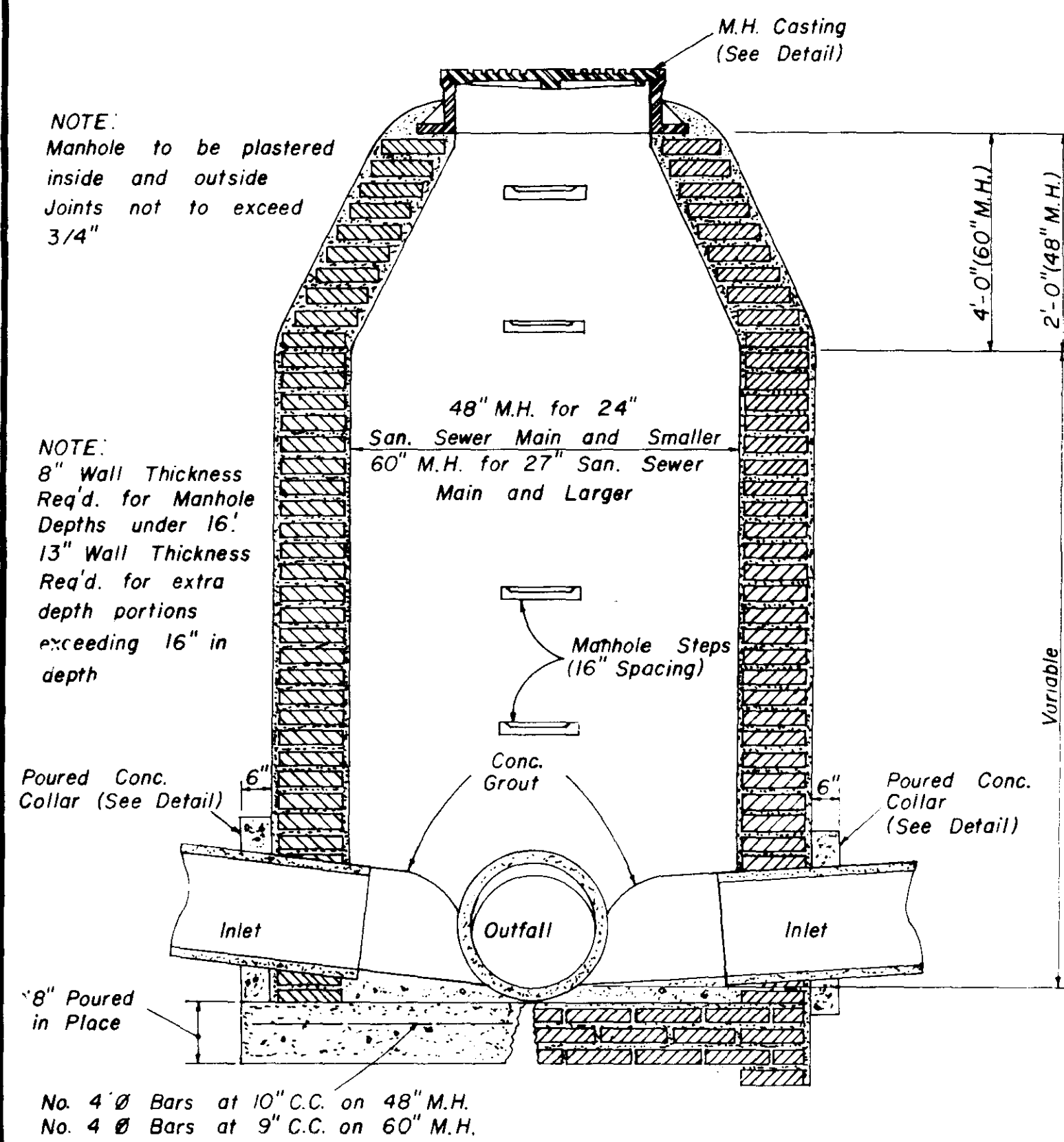
B.M. ELEVATION 323.65
SE COR. HEADWALL OF BOX CULVERT
55 FT. RT. STA. 23+80

| | |
|--------------------|--|
| DATE | |
| BY | |
| DESIGNED | |
| PLOTTED | |
| ALIGNMENT CHECKED | |
| RT. OF WAY CHECKED | |
| PLAN | |
| NOTE BOOK | |
| NO. | |

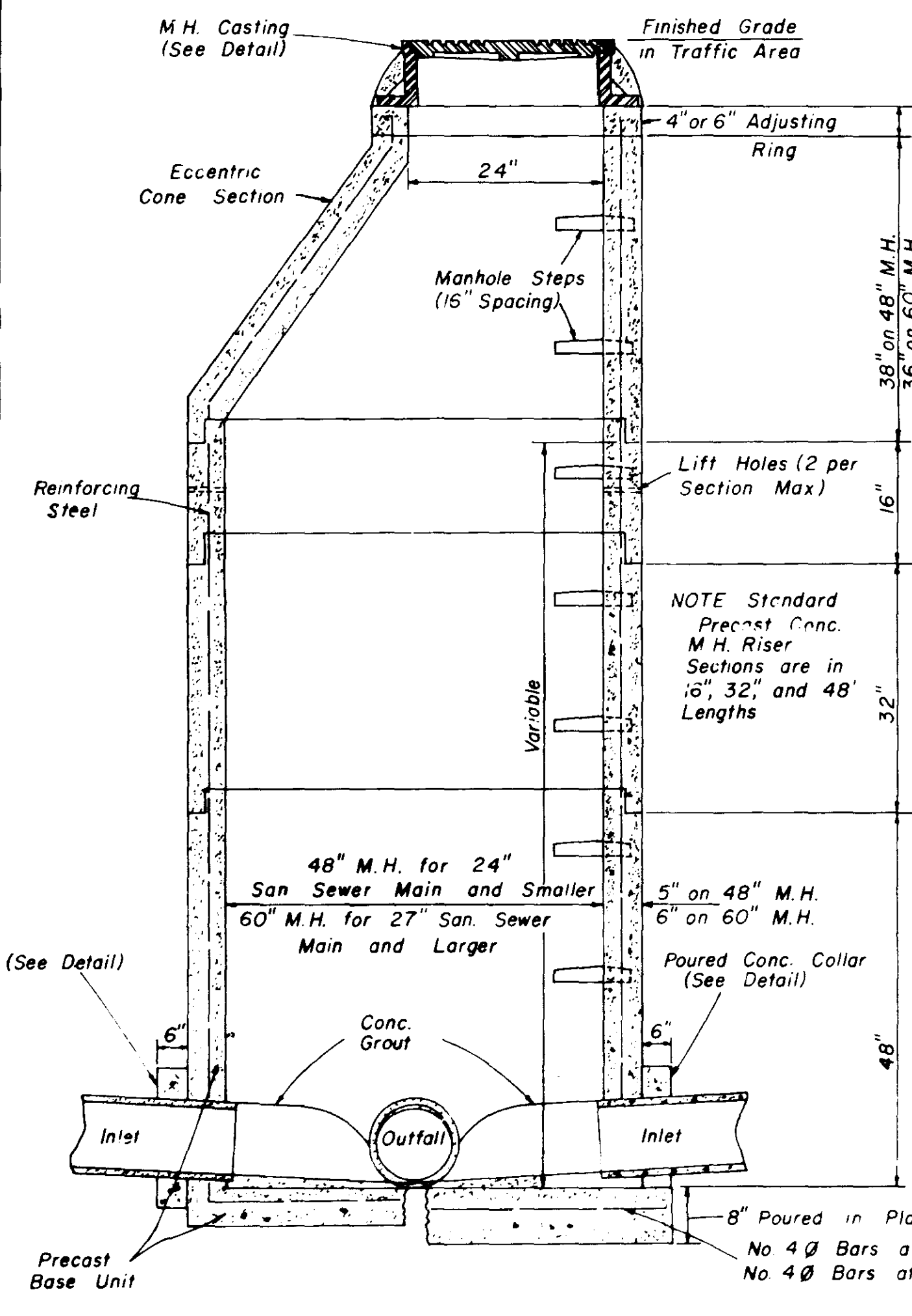


| | |
|-----------------------------|--|
| DATE | |
| BY | |
| DESIGNED | |
| PLOTTED | |
| GRADES CHECKED | |
| STRUCTURE NOTATIONS CHECKED | |
| PROFILE | |
| NOTE BOOK | |
| NO. | |

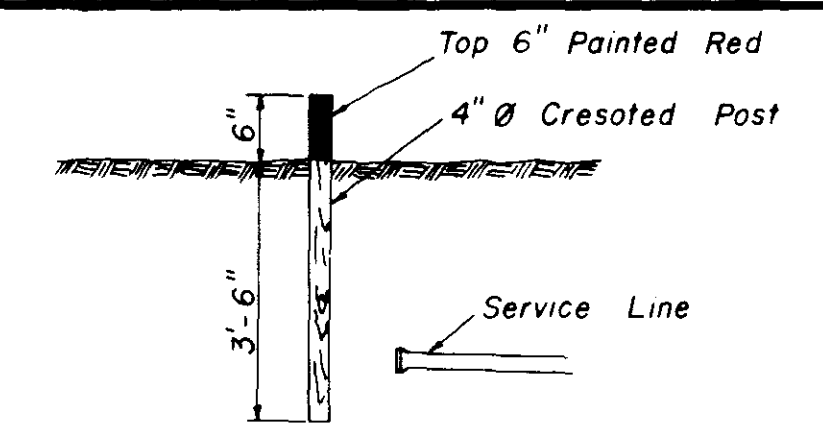




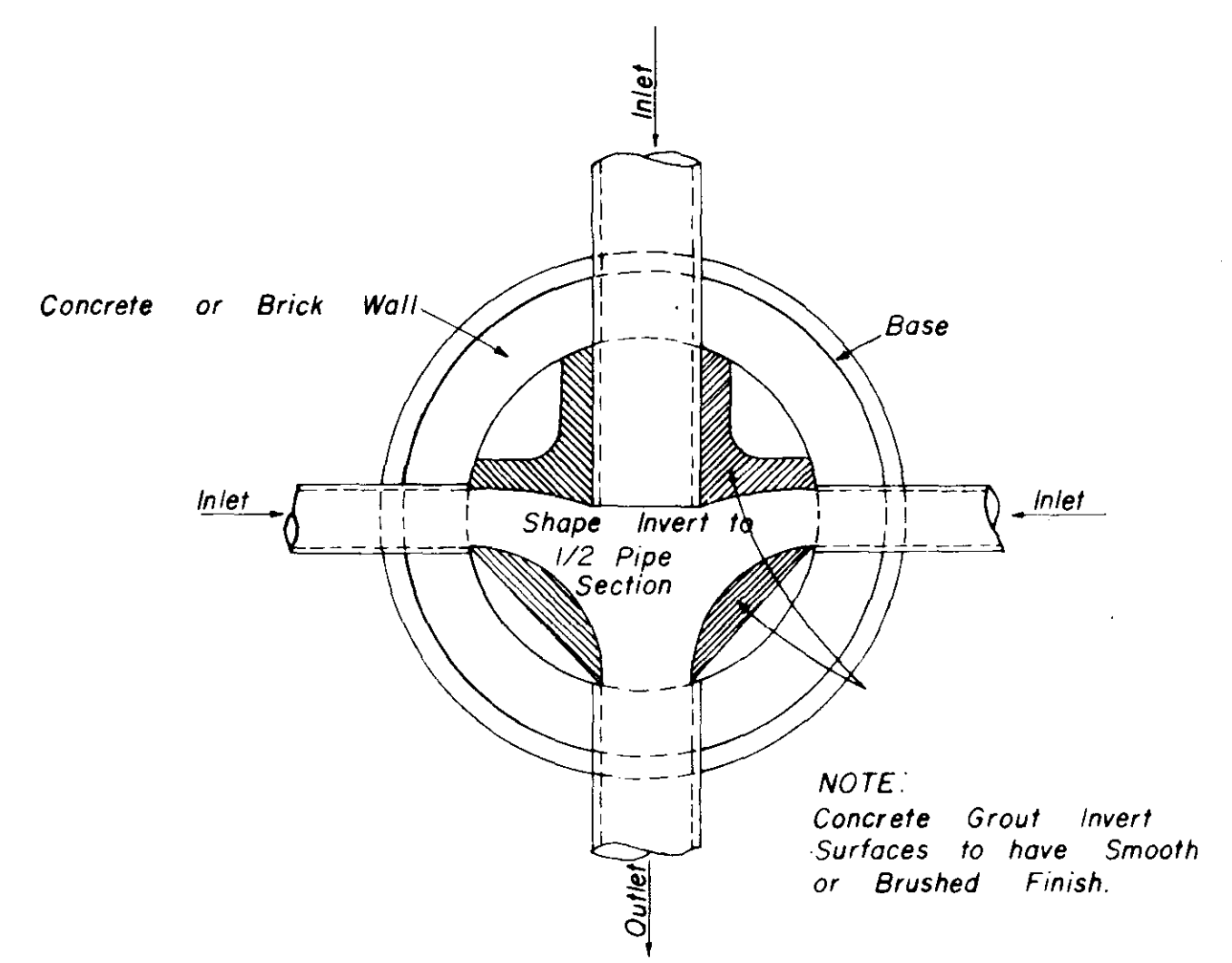
**SECTION
STANDARD BRICK MANHOLE**



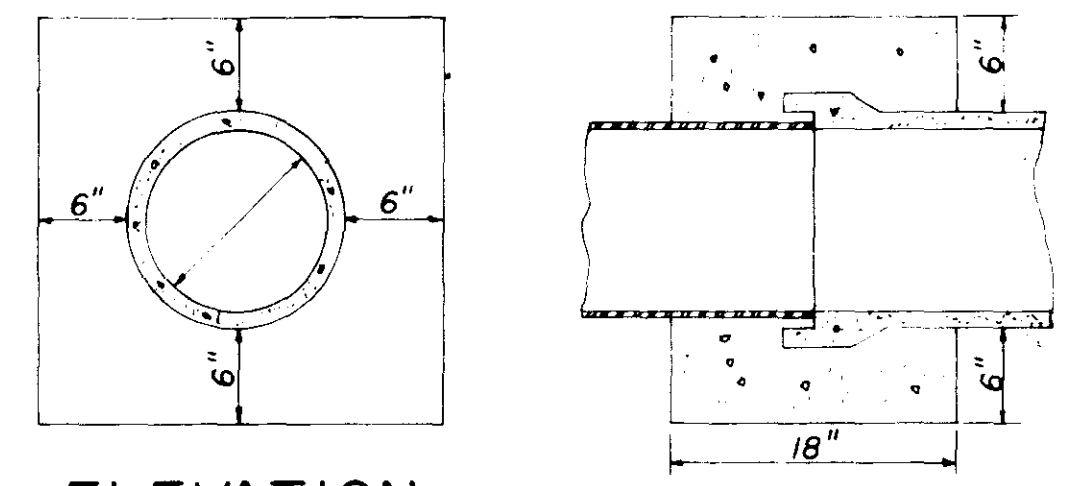
**SECTION
PRECAST CONCRETE MANHOLE**



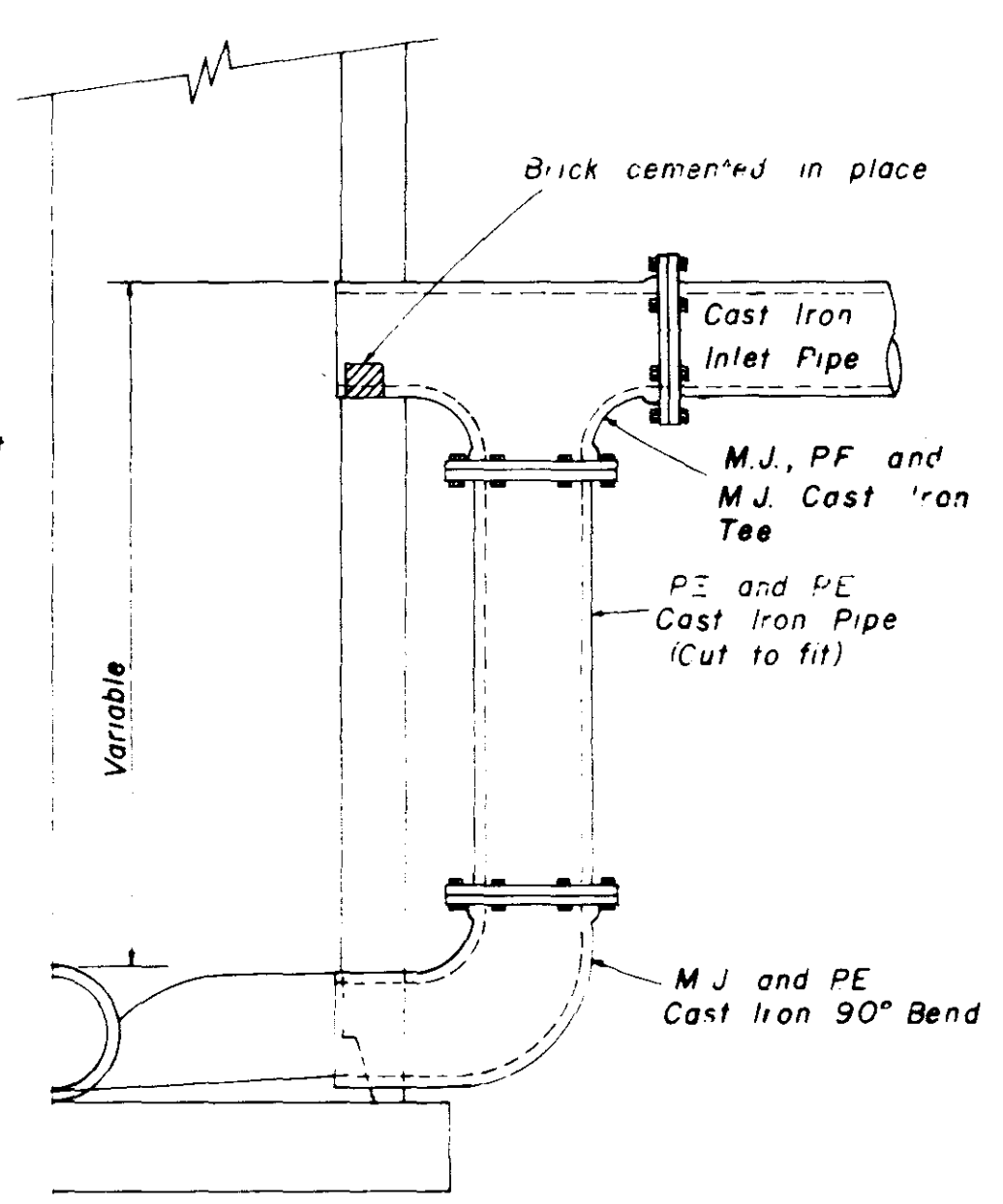
SEWER SERVICE MARKER



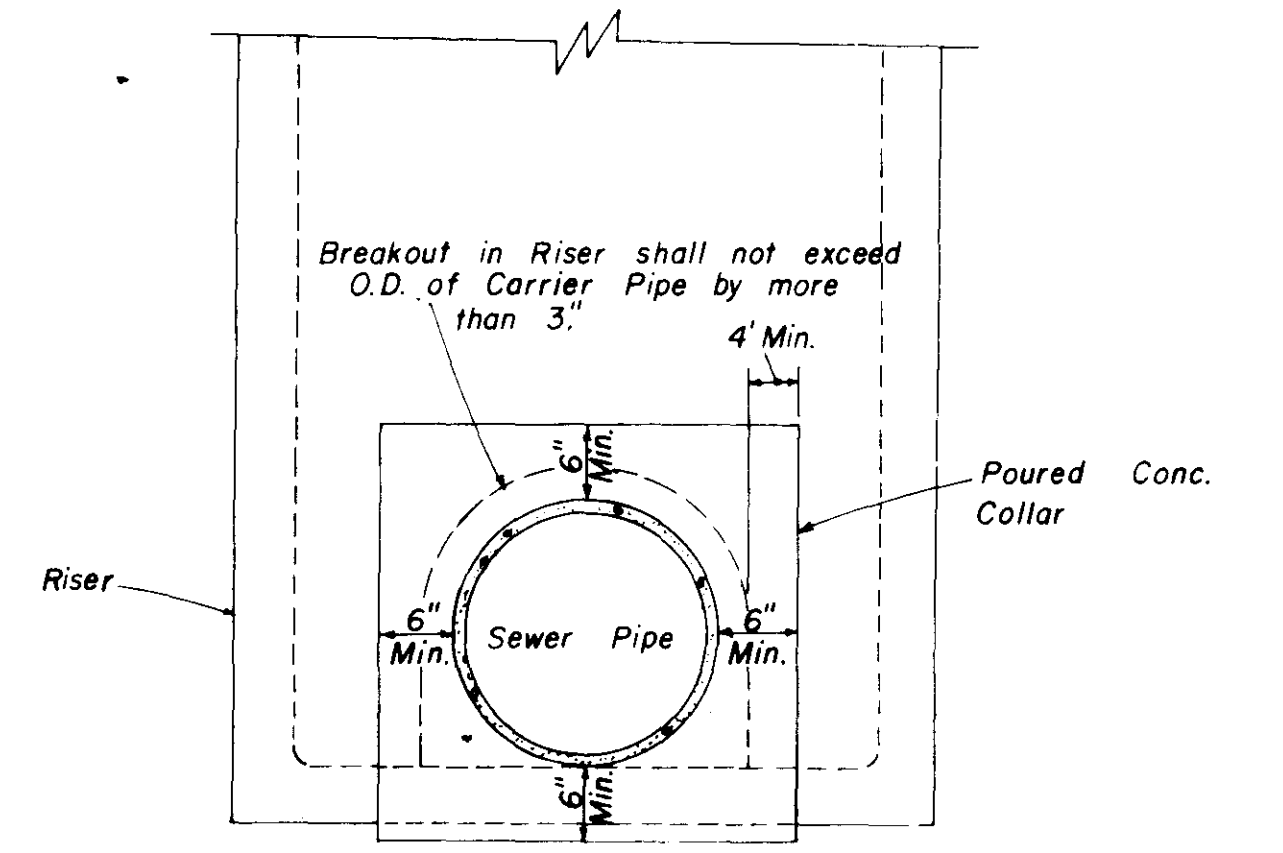
**PLAN OF MANHOLE
FLOW CHANNELS**



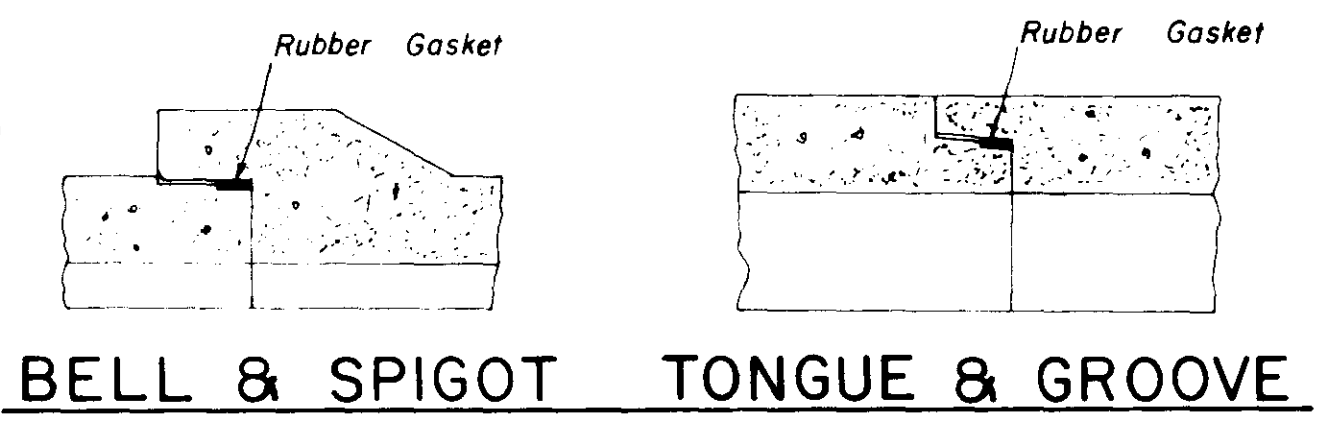
**ELEVATION
CONCRETE COLLAR DETAILS**



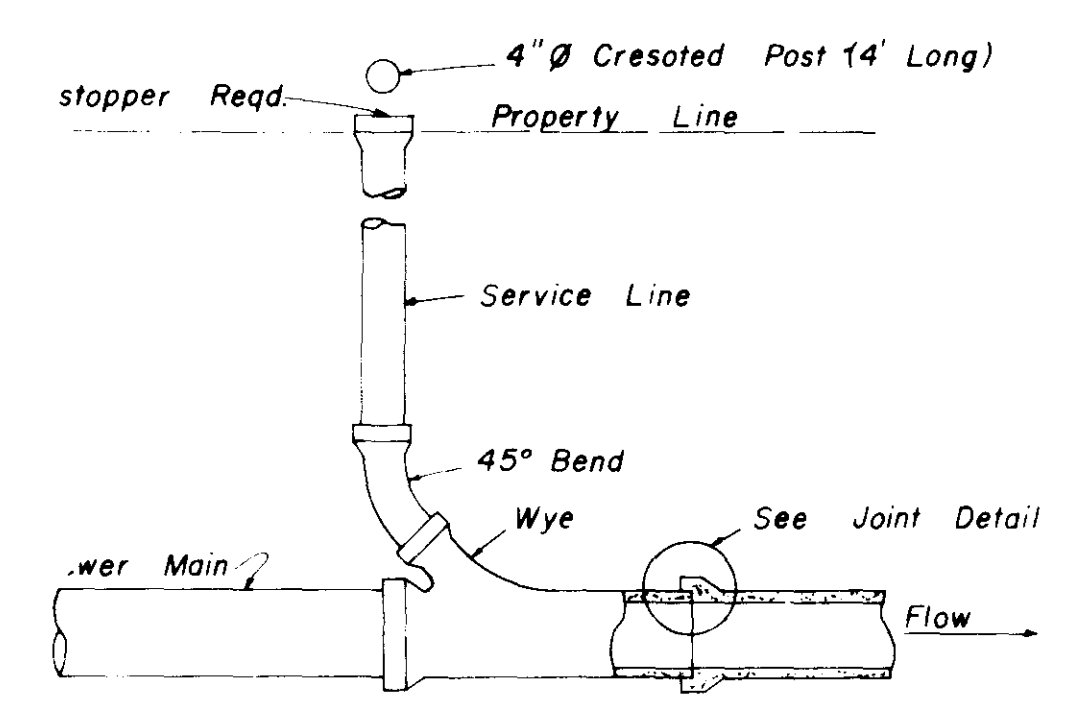
**HALF SECTION
MANHOLE WITH DROP CONNECTION**



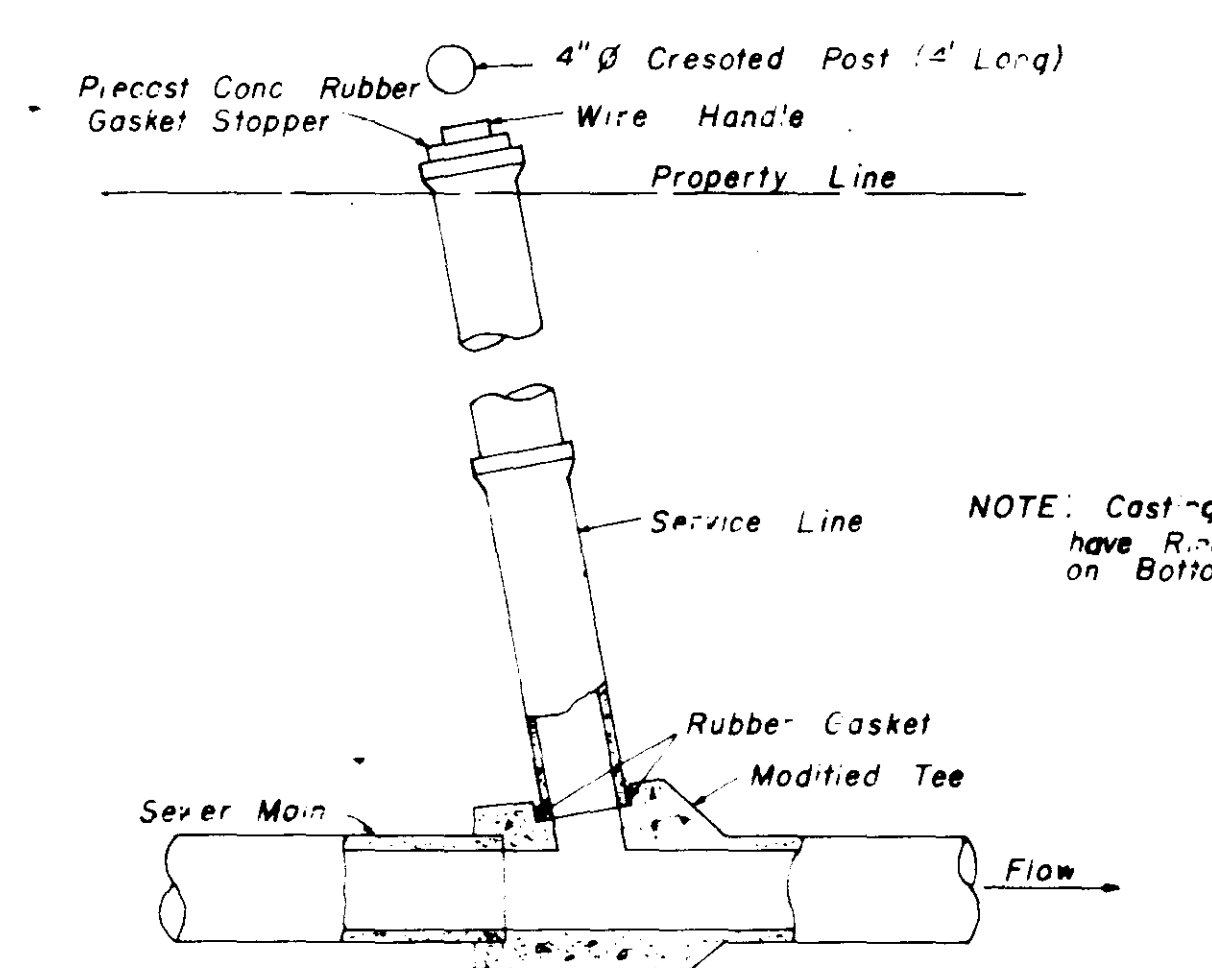
**ELEVATION
CONCRETE COLLAR AT
MANHOLE CONNECTION**



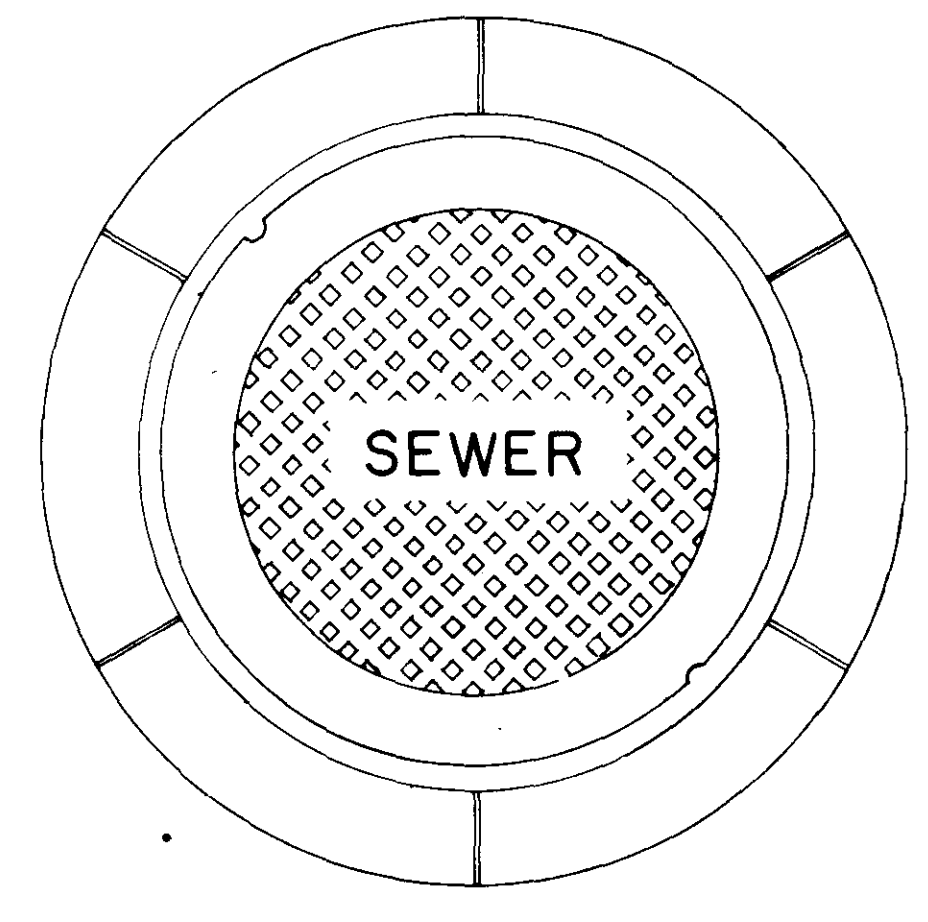
**BELL & SPIGOT TONGUE & GROOVE
JOINT DETAILS**



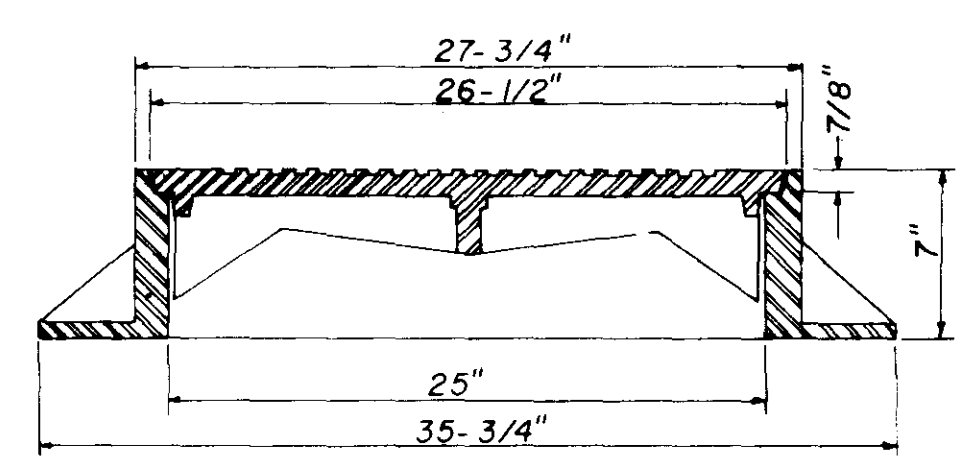
**TYPICAL SERVICE TO PROPERTY LINE
WITH WYE JOINT**



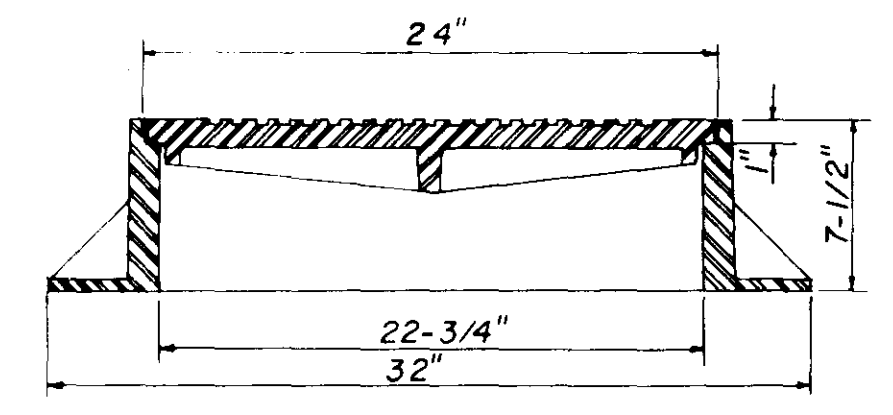
**TYPICAL SERVICE TO PROPERTY LINE
WITH MODIFIED TEE JOINT**



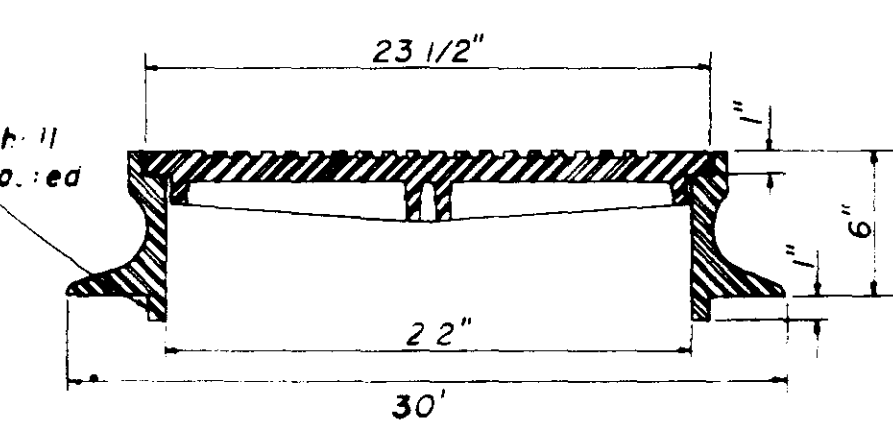
**PLAN
MANHOLE CASTING**



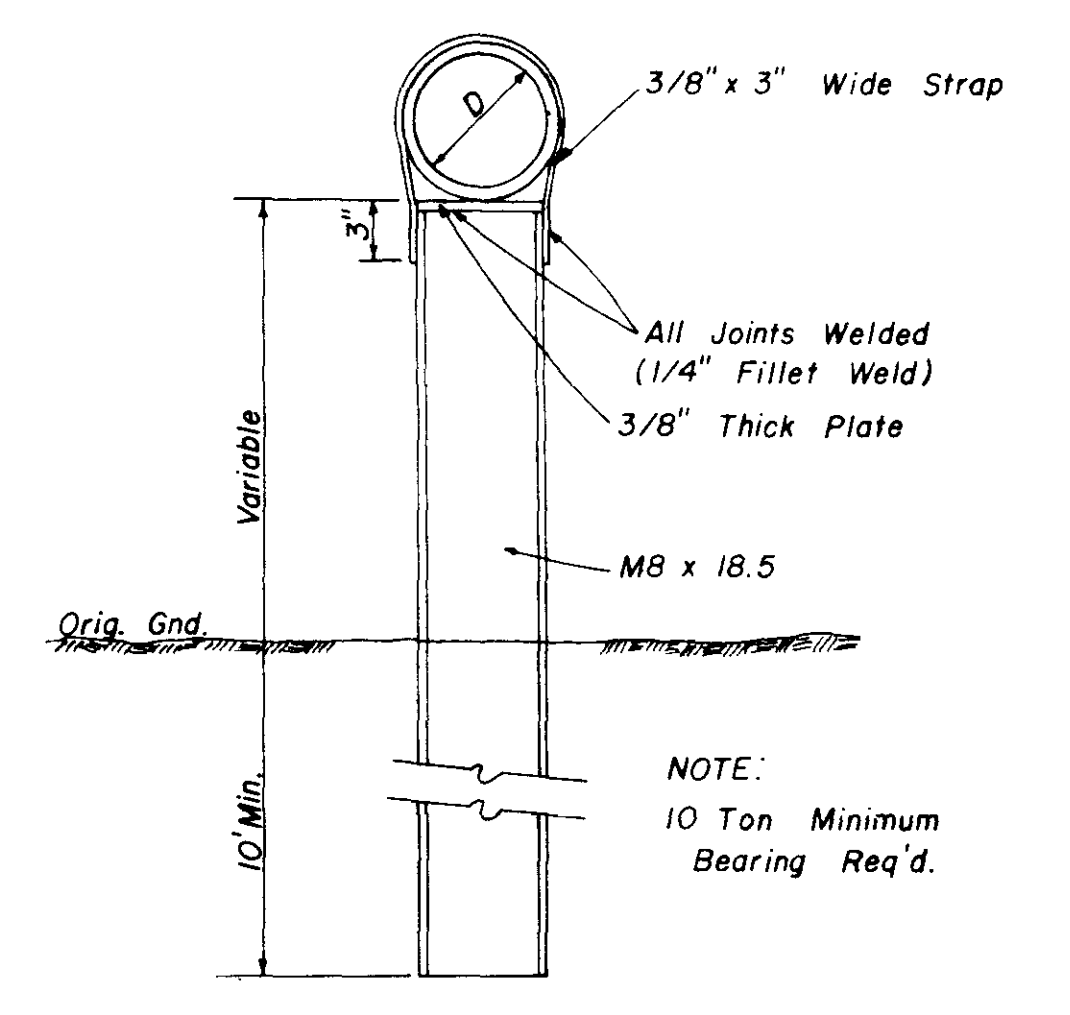
**SECTION
TYPE 'A' MANHOLE CASTING**



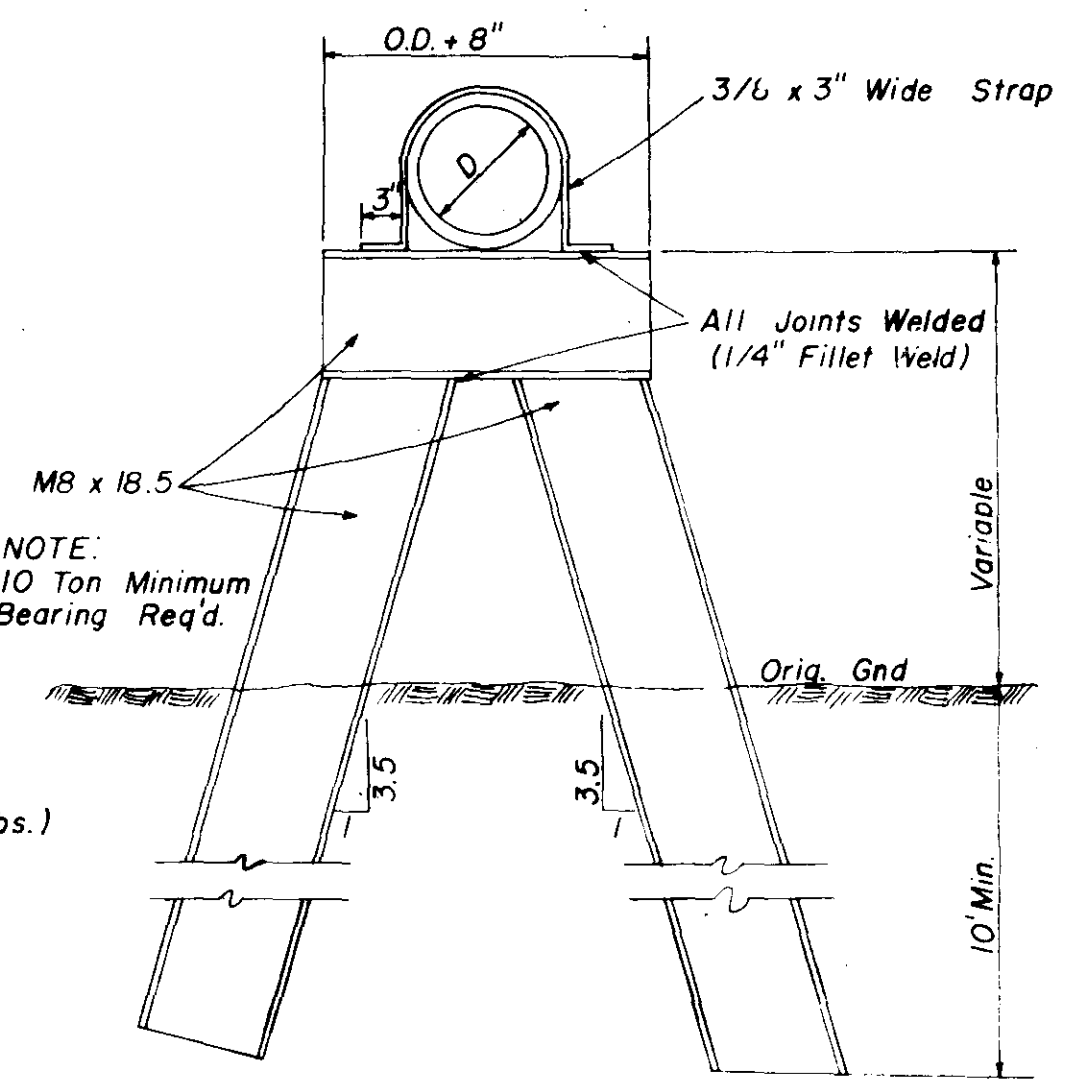
**SECTION
TYPE 'B' MANHOLE CASTING**



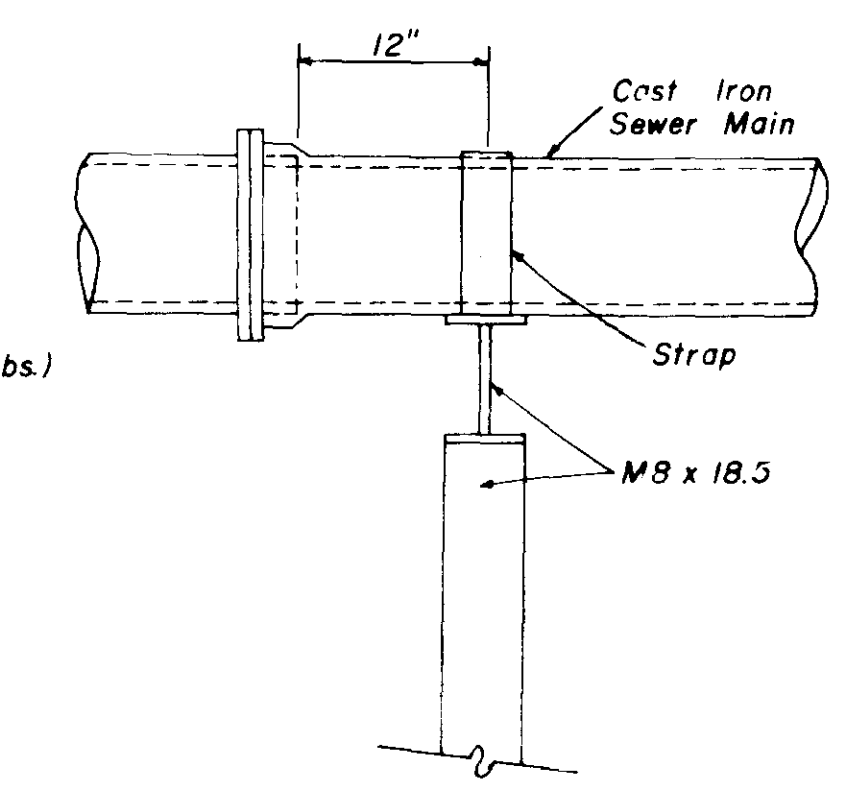
**SECTION
TYPE 'C' MANHOLE CASTING**



**DETAIL
TYPE 'A' PIER**



**DETAIL
TYPE 'B' PIER**



**SIDE ELEVATION
TYPE 'B' PIER**

**SANITARY SEWER
STANDARD DETAILS**

| | | | |
|--|-------------------|--------|--|
| JOE A WAGGONER Civil Engineer - Brandon/Jackson, Miss | | | |
| DRAWN BY H J | DATE OCT 1982 | 3 OF 3 | |
| CHECKED BY JAK | SCALE AS SHOWN | | |