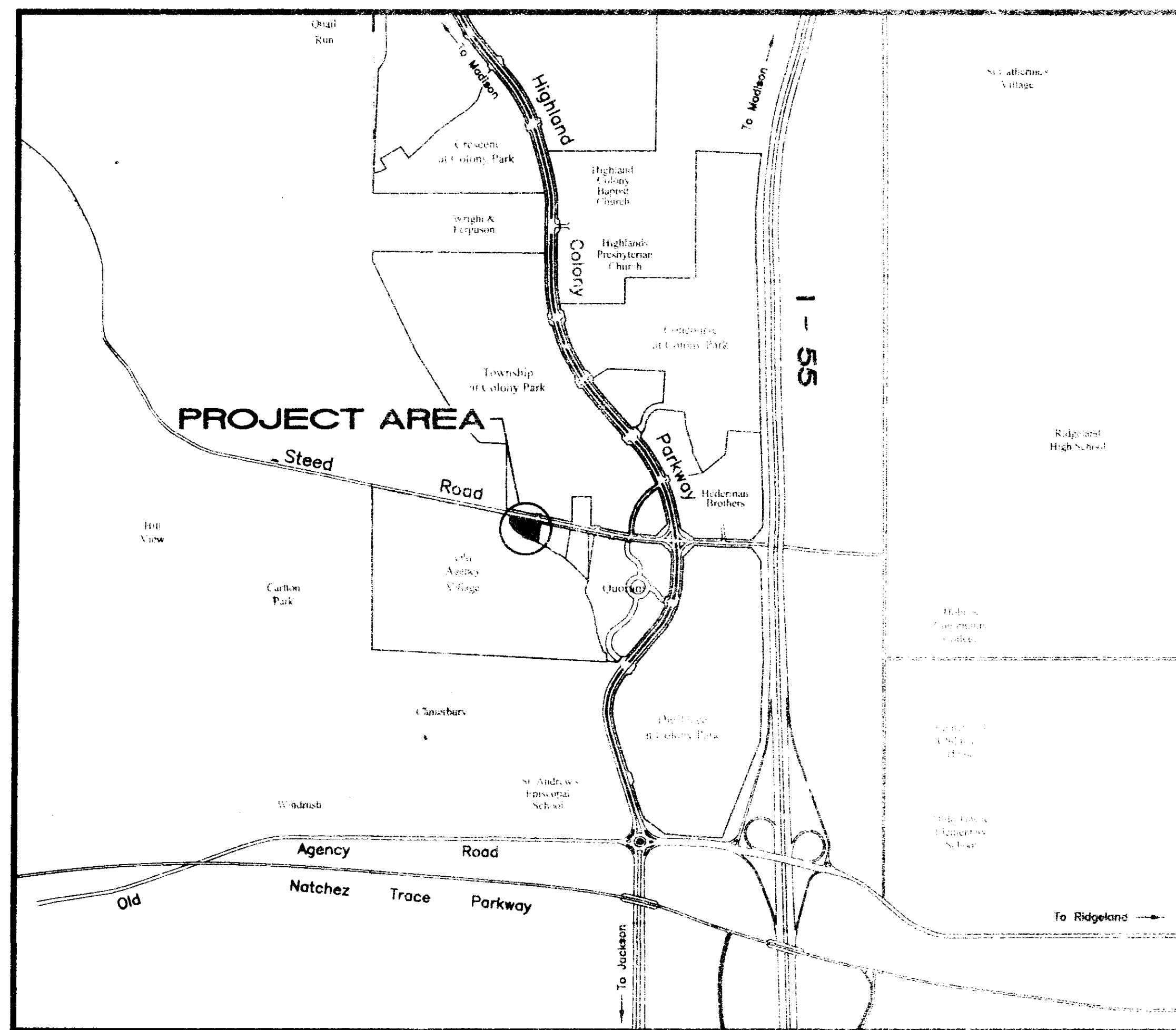


PURPLE CREEK INTERCEPTOR

SEWER RELOCATION *Steed Rd*

IN THE CITY OF RIDGELAND, MISSISSIPPI



LOCATION MAP
N.T.S.

SHEET INDEX	
TITLE	PLAN SHEET NO.
COVER SHEET	1
PLAN/PROFILE SHEET	2
STANDARD DETAILS	3

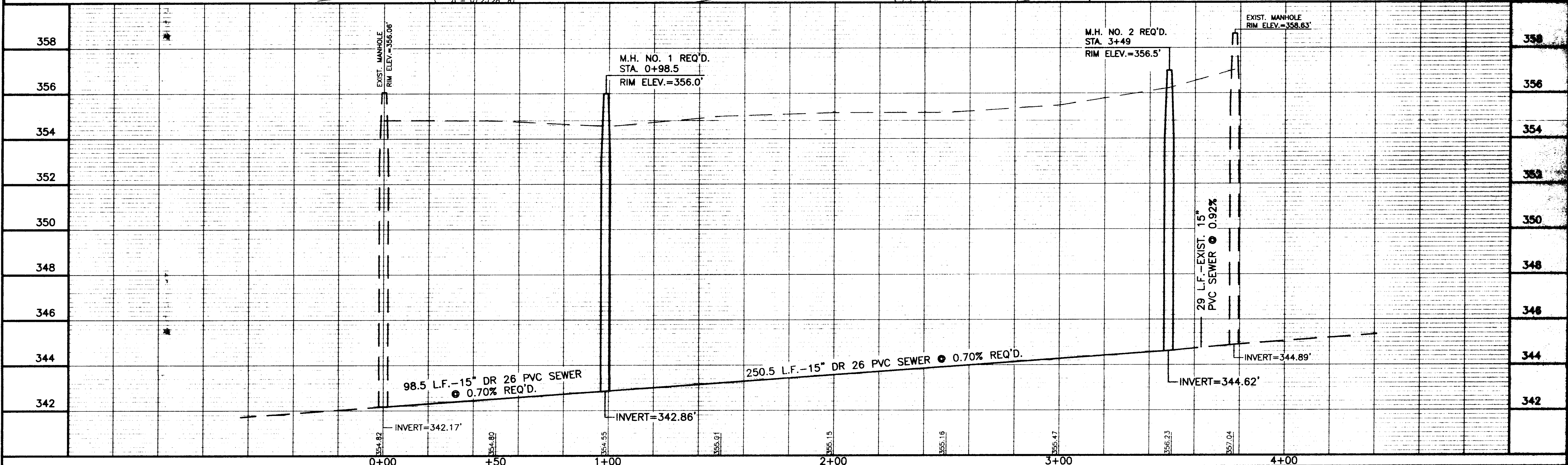
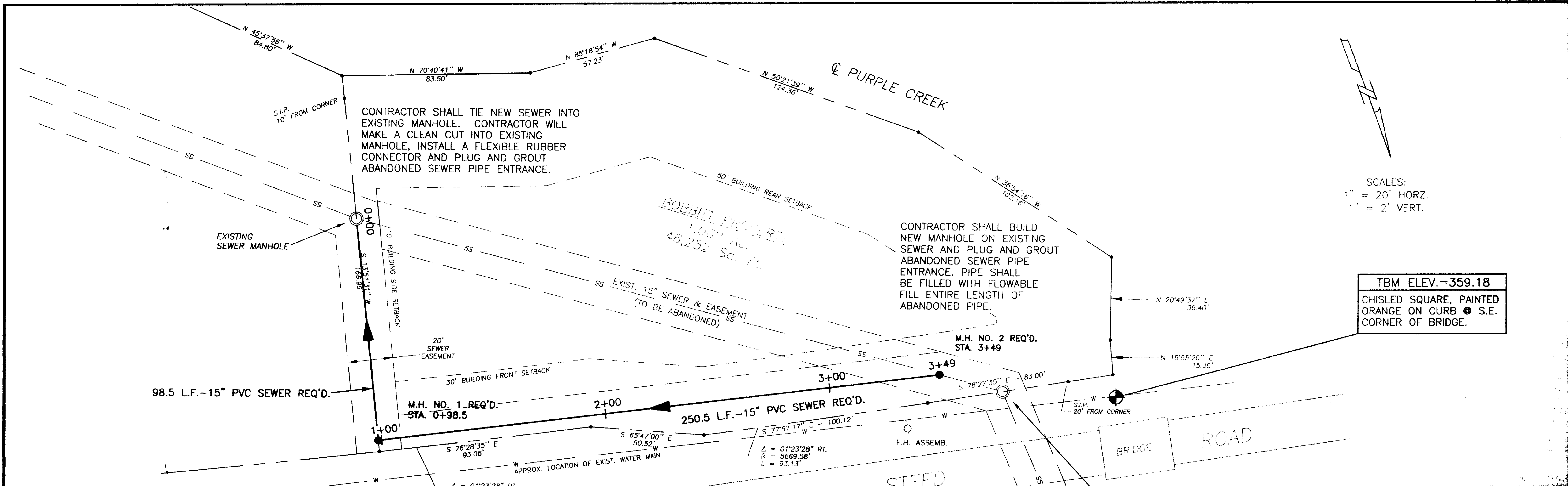
RECEIVED
JUL 0 1 2003
PUBLIC WORKS DEPT

MAY 2003

DCI DIVERSIFIED CONSULTANTS, INC.
CONSULTING ENGINEERS, CITY, COUNTY, AND TOWN/PLANNERS

235 FREDERICK STREET
JACKSON, MS 39201

PWP-01631



DCI DIVERSIFIED CONSULTANTS, INC.
CONSULTING ENGINEERS ... CITY, COUNTY, AND REGIONAL PLANNERS
395 EDGEWOOD TERRACE
JACKSON, MS 39206

This document, and the ideas and designs incorporated herein, as an instrument of professional services, is the property of DIVERSIFIED CONSULTANTS, INC. and is not to be used, in whole or part, for any other project without the written authority of DIVERSIFIED CONSULTANTS, INC.

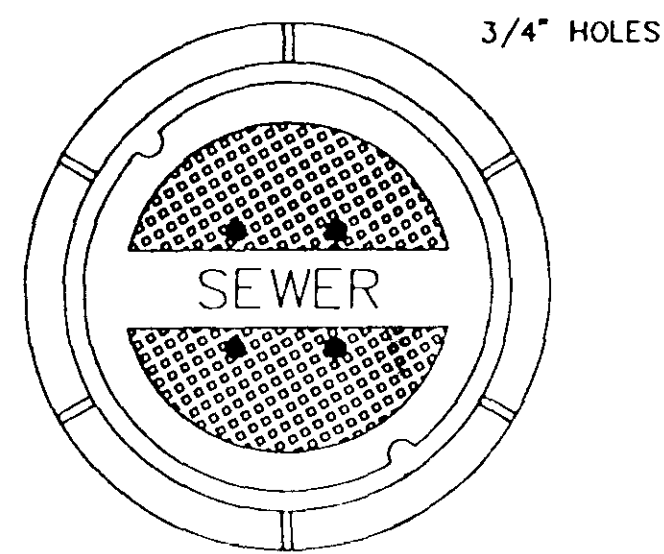
PURPLE CREEK INTERCEPTOR SEWER RELOCATION

IN THE CITY OF RIDGELAND, MISSISSIPPI

REVISIONS		
NO.	DATE	BY
1		
2		
3		
4		
5		
6		

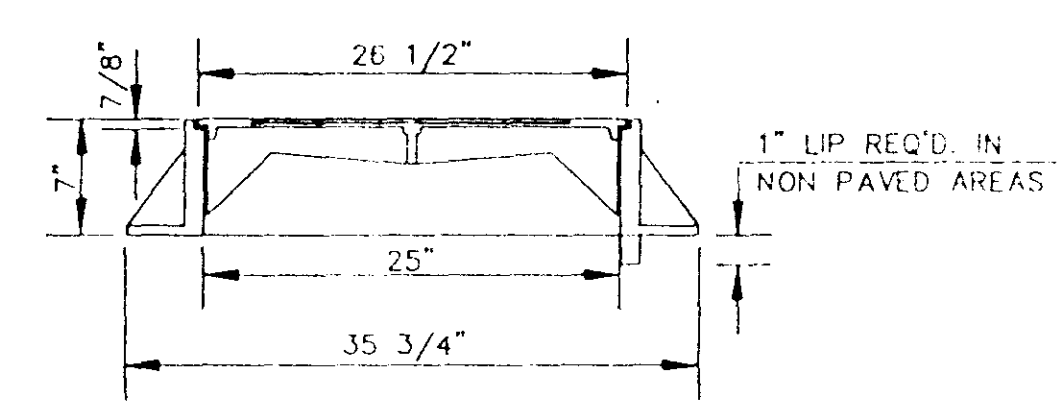
SCALE: AS SHOWN
DATE:
APPROVED BY:
DRAWN BY:
CHECKED BY:

SHEET TITLE:
WATER AND WASTEWATER SYSTEMS LAYOUT
FILE NAME:
SHEET NO: **2**

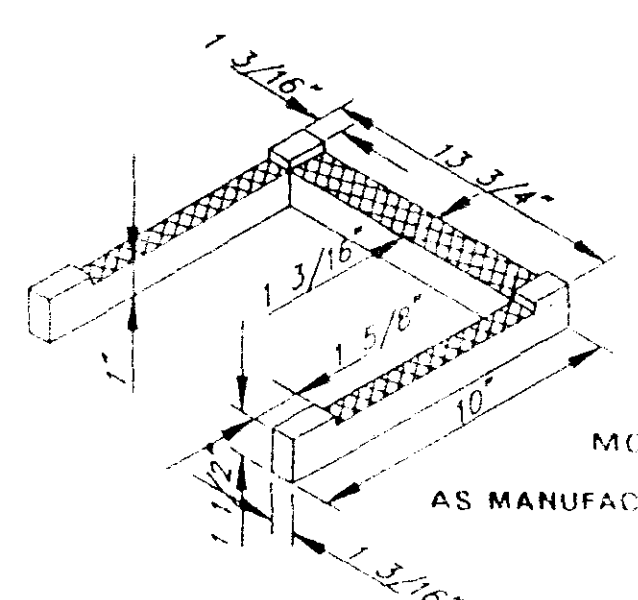


TOP PLAN OF COVER

FRAME & COVER WEIGHT 420 LBS.



SECTION

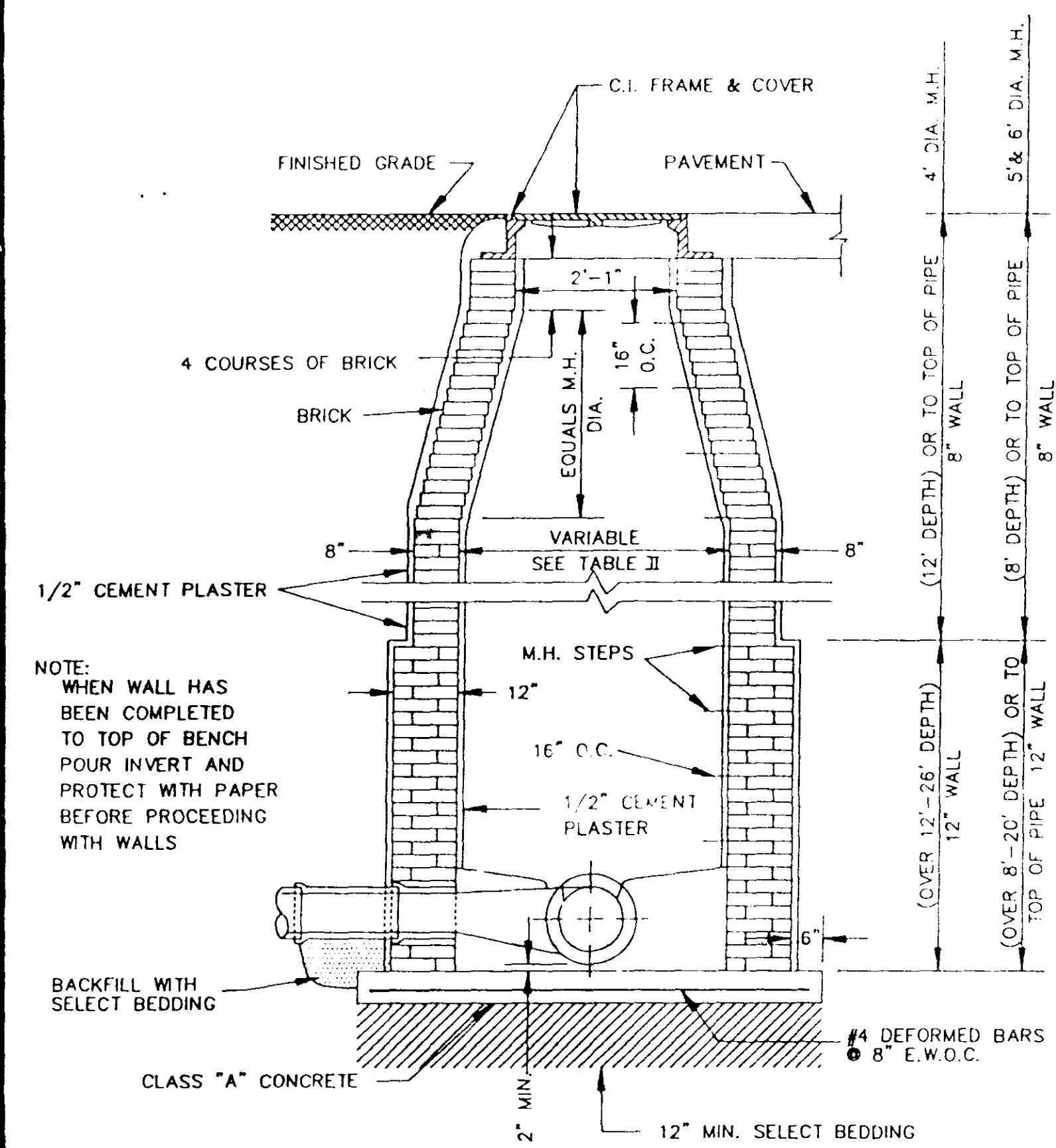


DETAIL 'B'

MODEL NO. PS2 - PF
AS MANUFACTURED BY M.A. INDUSTRIES INC.

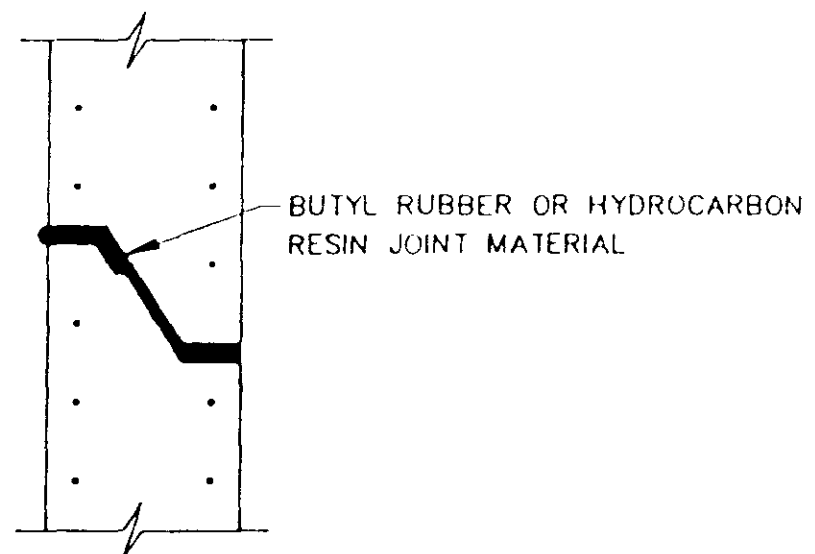
STANDARD MANHOLE FRAME AND COVER

N.T.S.



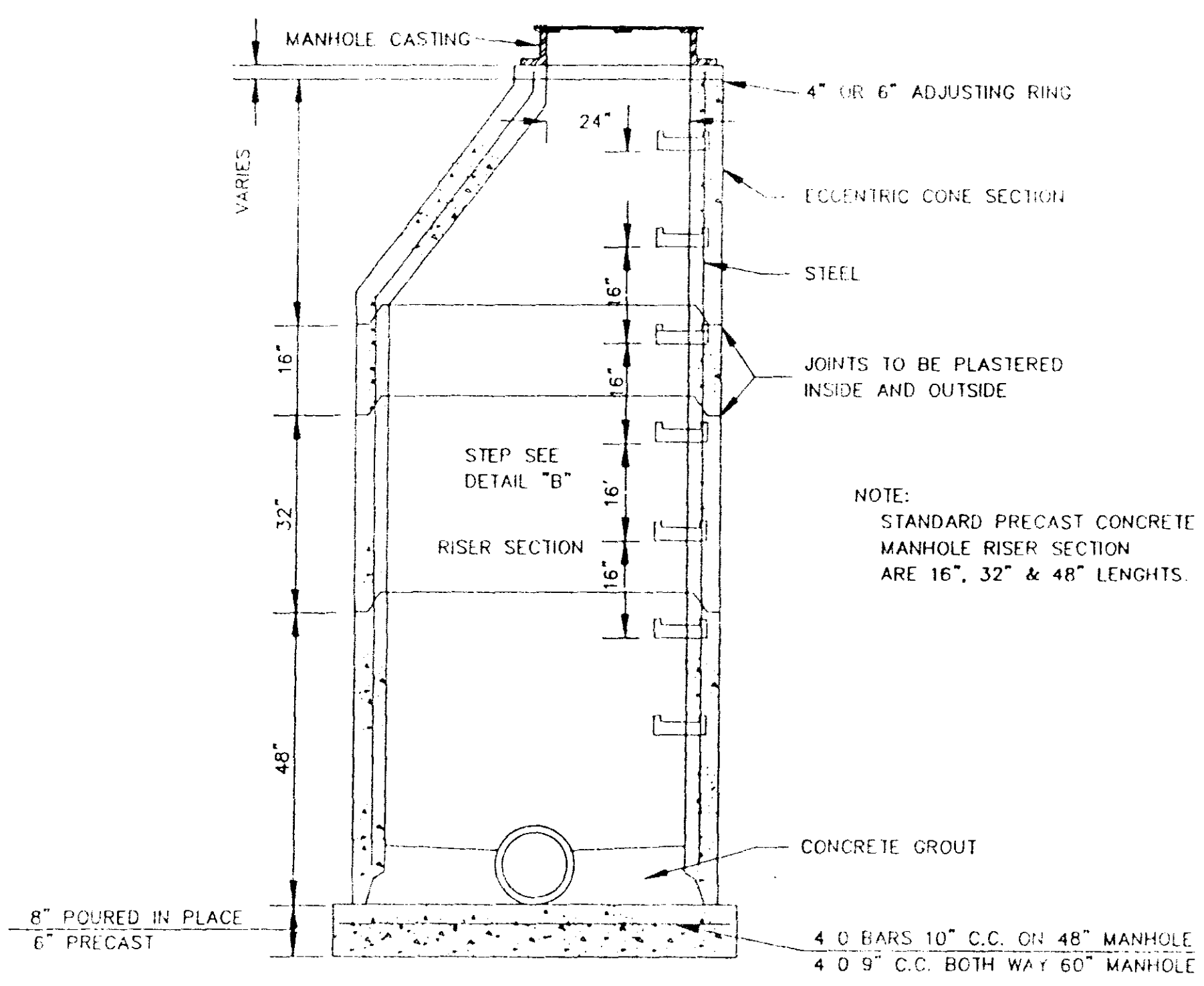
STANDARD BRICK MANHOLE

N.T.S.



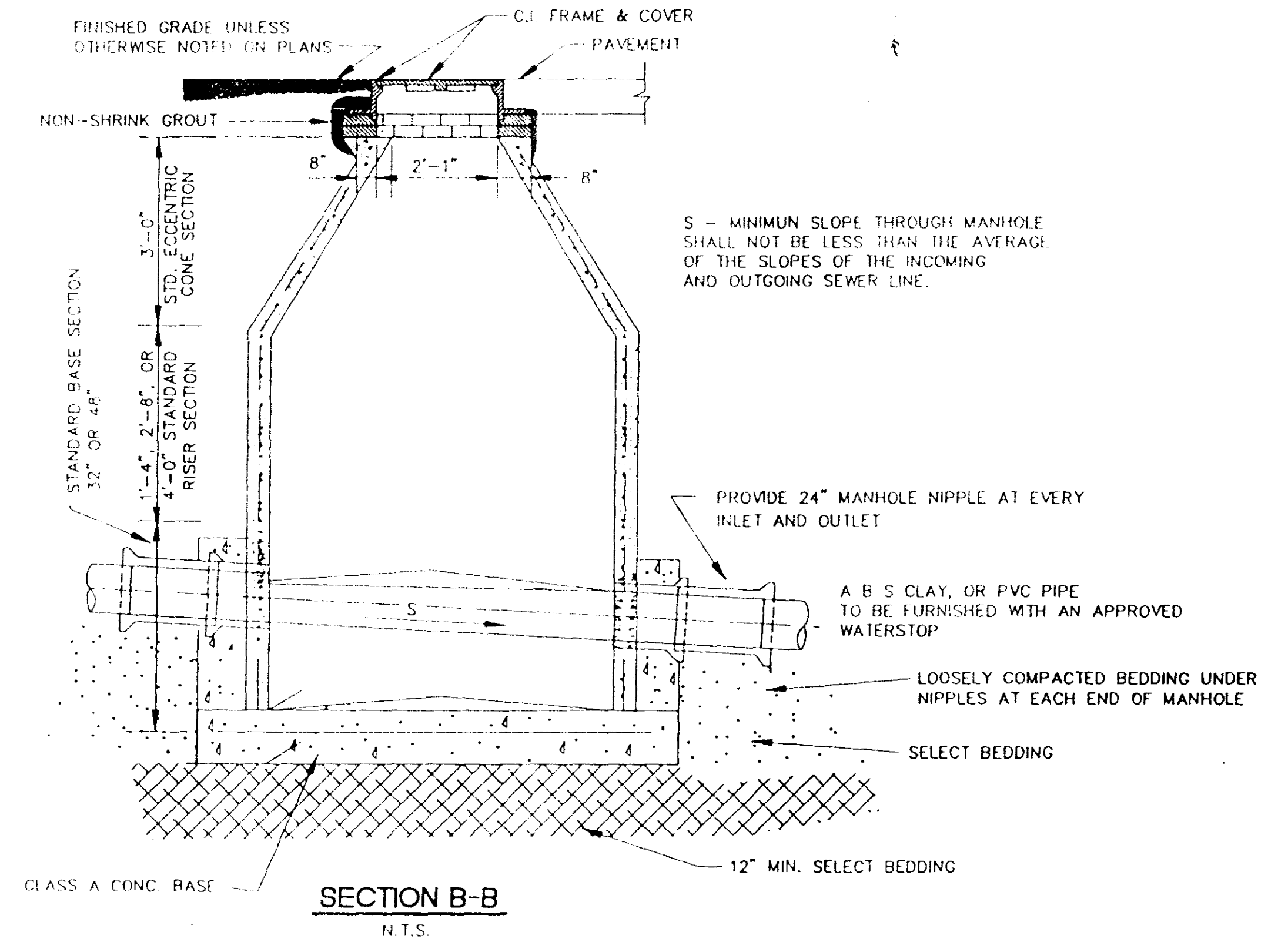
TYPICAL PRECAST CONCRETE MANHOLE JOINT DETAIL

N.T.S.



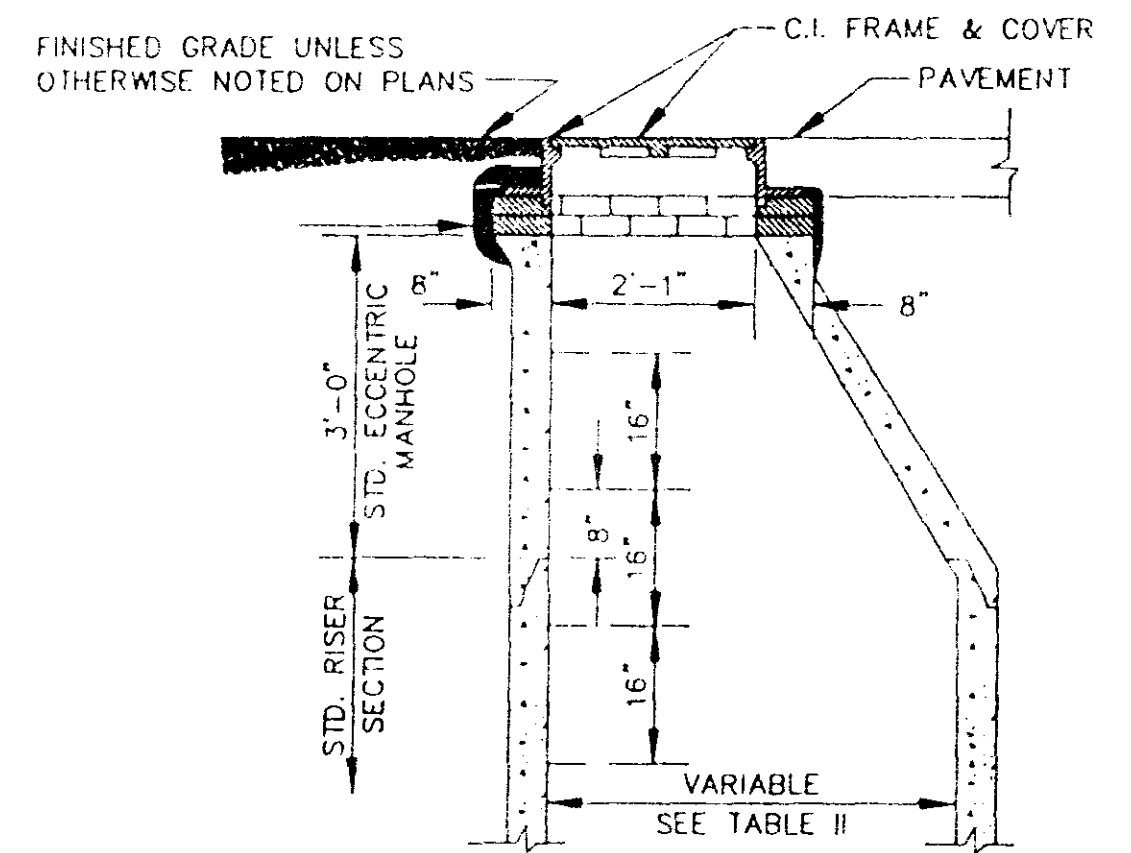
SECTION OF PRECAST CONCRETE MANHOLE

N.T.S.



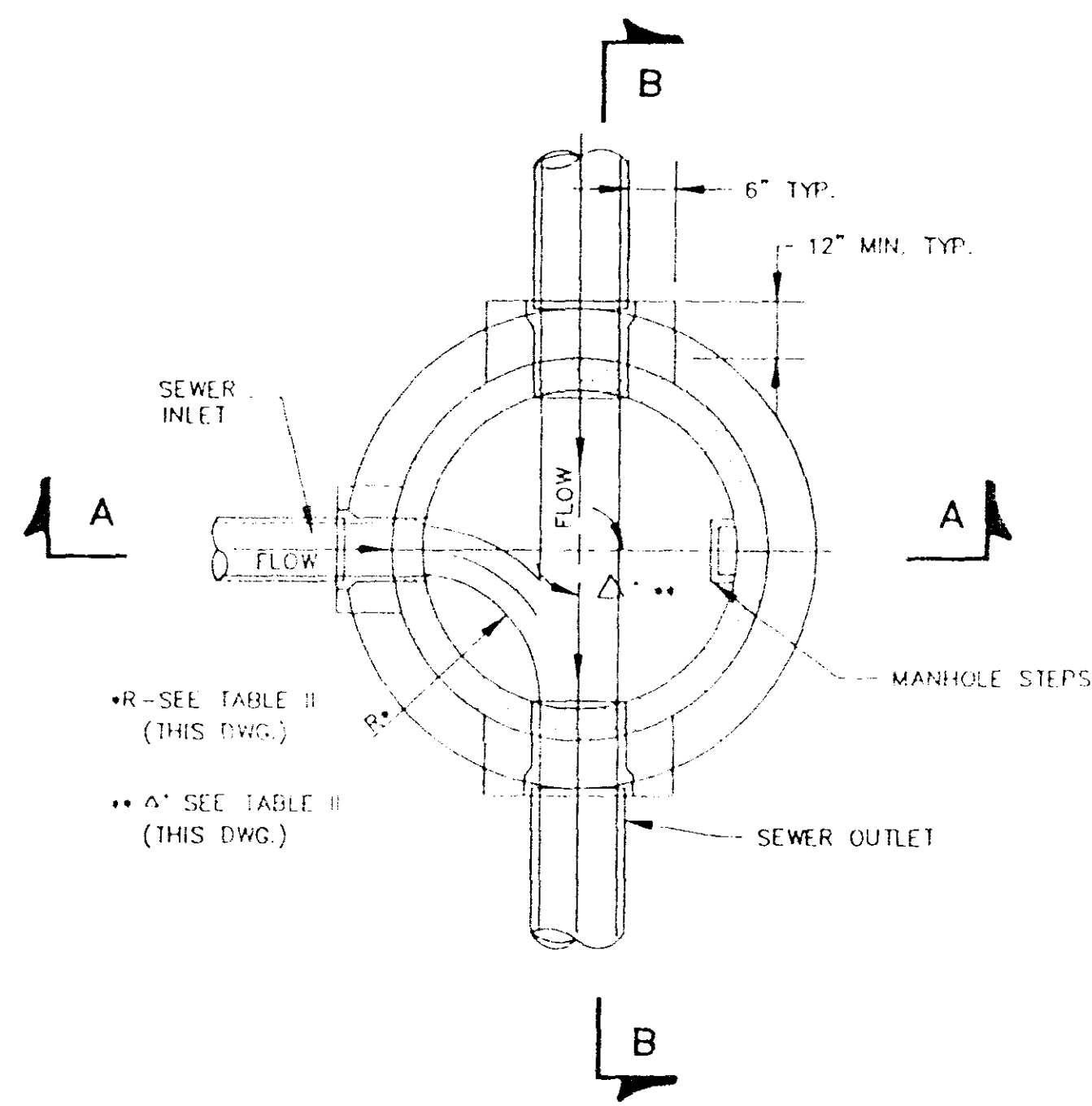
SECTION B-B

N.T.S.



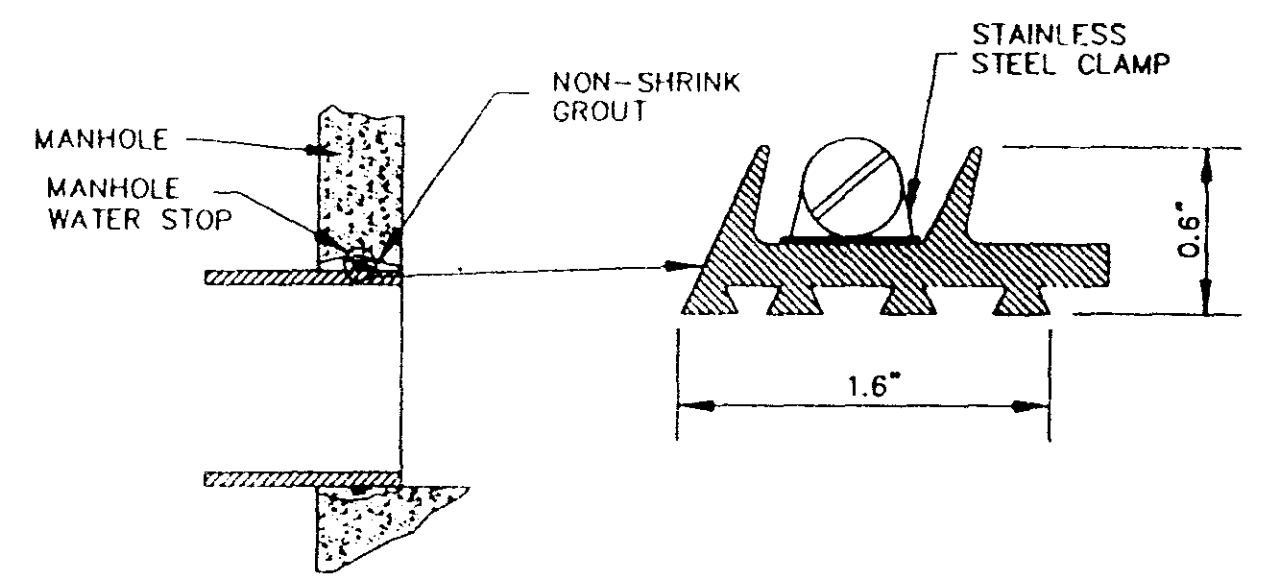
STANDARD ECCENTRIC CONE FOR ALL DIAMETER MANHOLES

N.T.S.



SECTIONAL PLAN STANDARD MANHOLE

N.T.S.



TYPICAL MANHOLE WATER STOP FOR ABS, CLAY OR PVC PIPE

EXISTING AND "STRADDLE" MANHOLES N.T.S.

CITY OF RIDGELAND, MS.

STANDARD DETAILS

DSGN			DRAWING NO.
DRWN			OF
CHKD			
SCALE			