

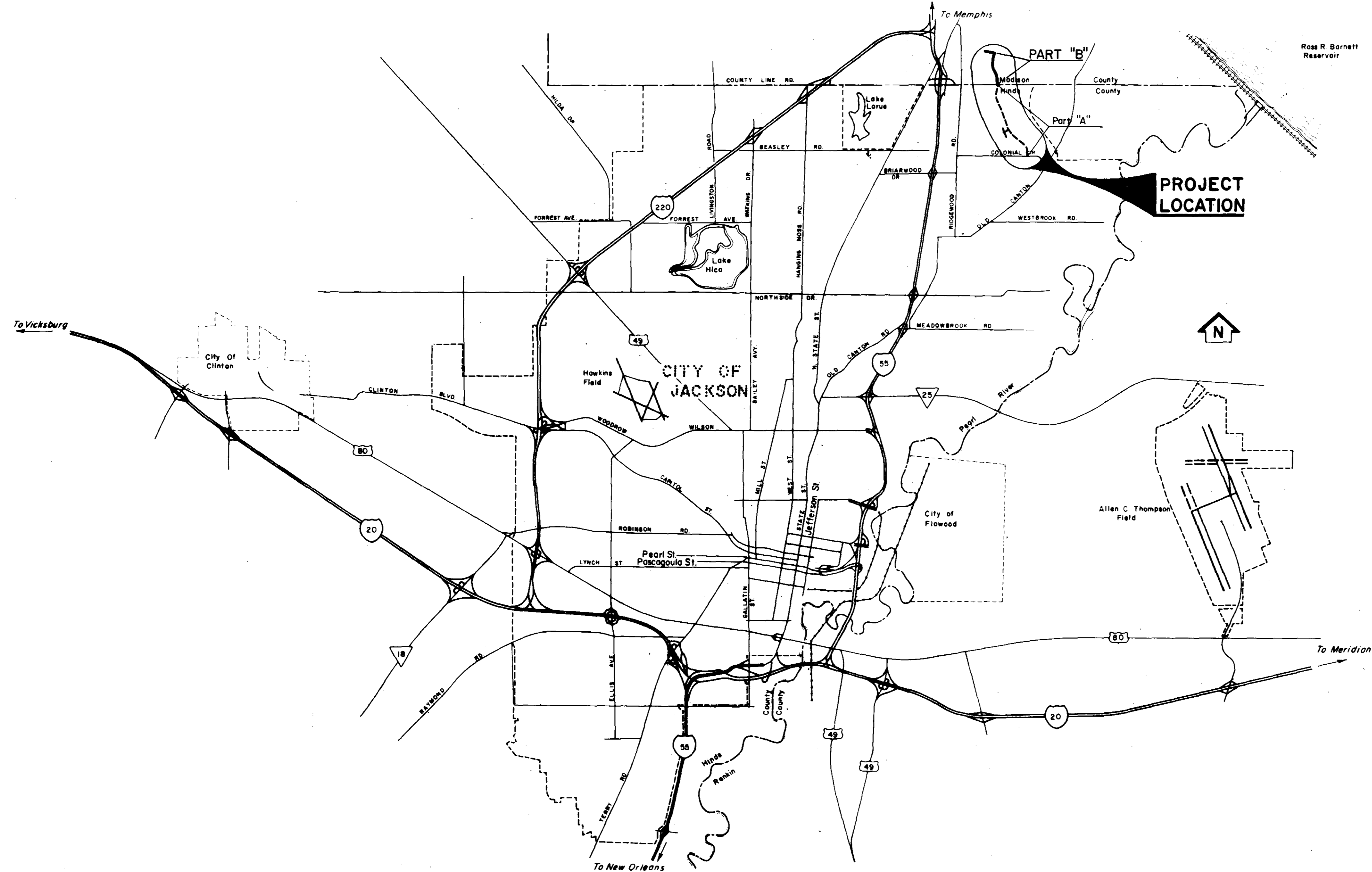
**CITY OF JACKSON, MISSISSIPPI
OWNER**

NORTH JACKSON OUTFALL SEWERS

WPC Miss. 207 Project No. 169.5M Part B

PURPLE CREEK OUTFALL

RUSSELL C. DAVIS, Mayor
DOUGLAS SHANKS, Commissioner THOMAS B. KELLY, Commissioner



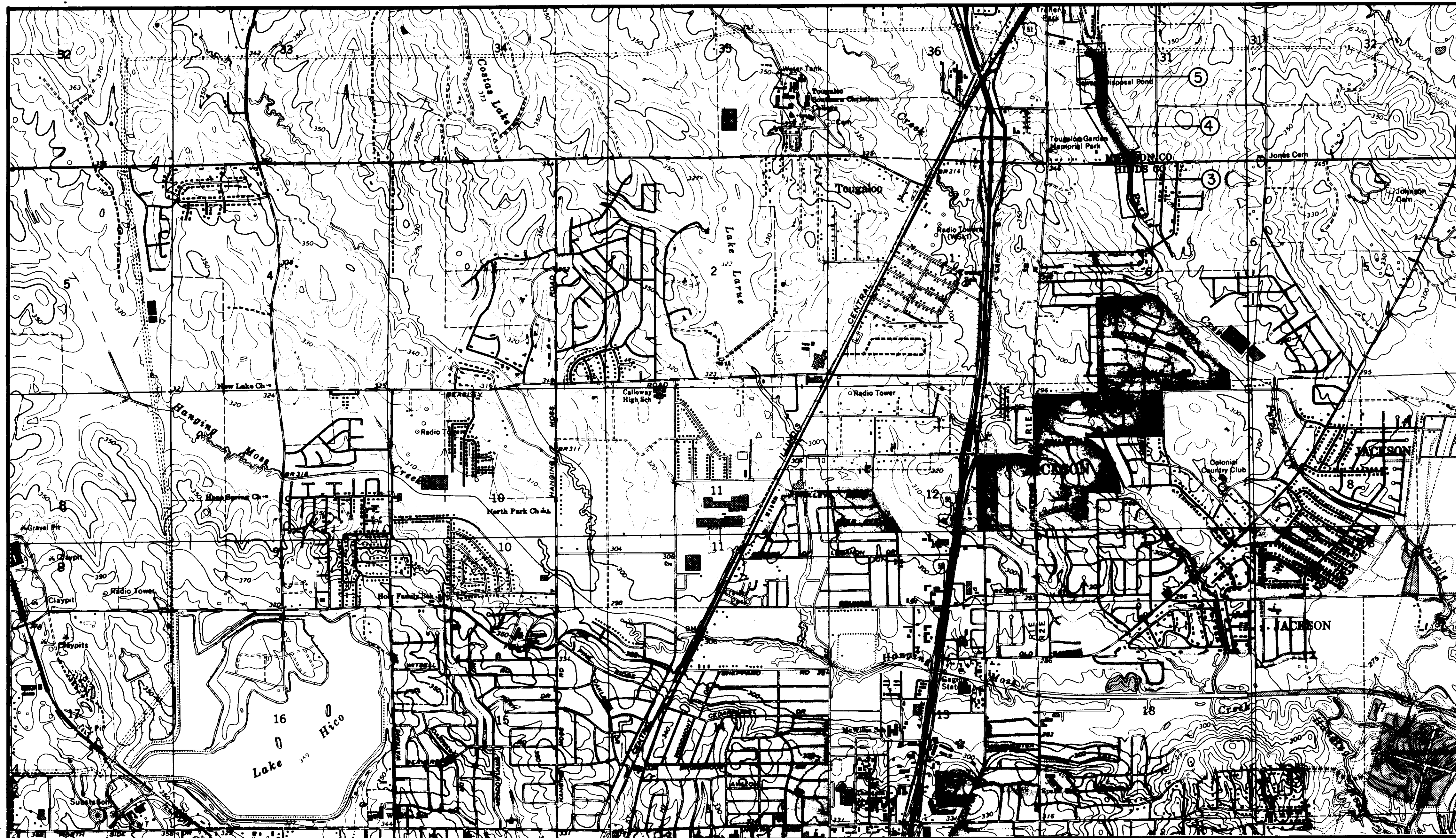
APPROVED BY:

W. M. Ashley, P. E.
 City of Jackson, Mississippi
 Sanitary Engineer

AS BUILT

SMITH AND SANDERS, INC.
 Consulting Engineers
 Jackson, Miss.

PWP-01628



GENERAL LAYOUT PLAN

SCALE IN FEET
 1000 0 1000 2000 3000 4000 5000 6000 7000

INDEX TO DRAWINGS

TITLE	SH. NO.
COVER SHEET	1 of 10
SUMMARY OF QUANTITIES, INDEX TO DRAWINGS AND GENERAL LAYOUT PLAN	2 of 10
PLAN AND PROFILE STA. 74+74.75 TO STA. 75+00.00	3 of 10
PLAN AND PROFILE STA. 75+00.00 TO STA. 90+50.00	4 of 10
PLAN AND PROFILE STA. 90+50.00 TO STA. 106+10.25	5 of 10
STANDARD AND DROP MANHOLE DETAILS	6 of 10
MISCELLANEOUS DETAILS	7 of 10
METERING STATION DETAILS	8 of 10
LOG OF BORINGS	9 10
LOG OF BORINGS	10 10

SUMMARY OF QUANTITIES

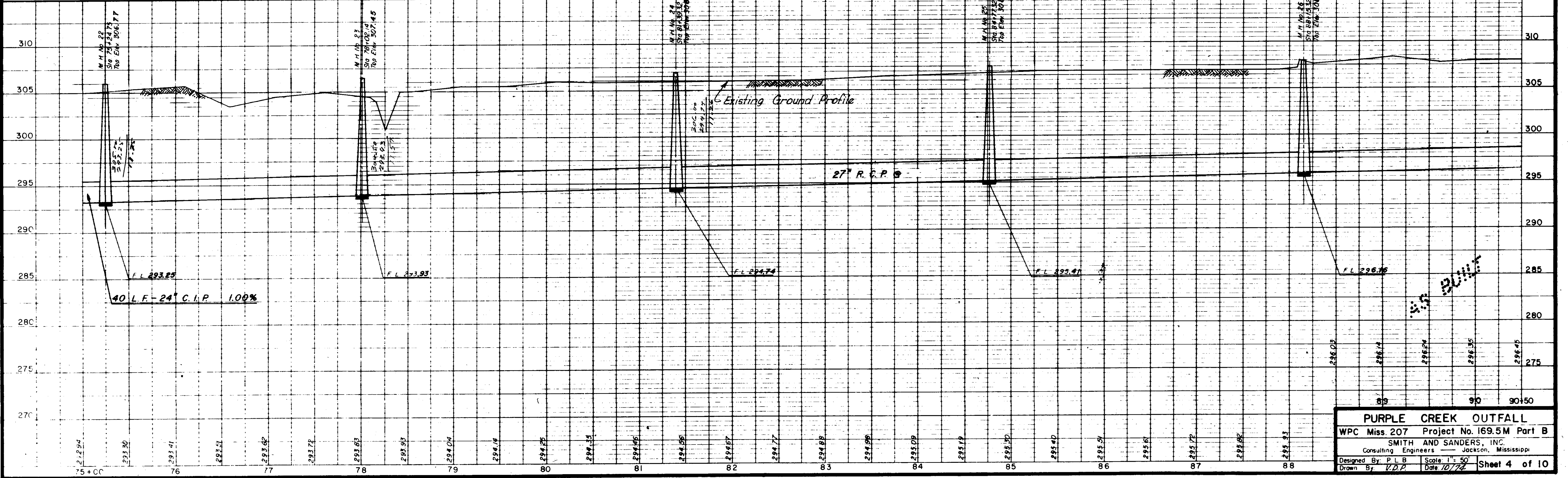
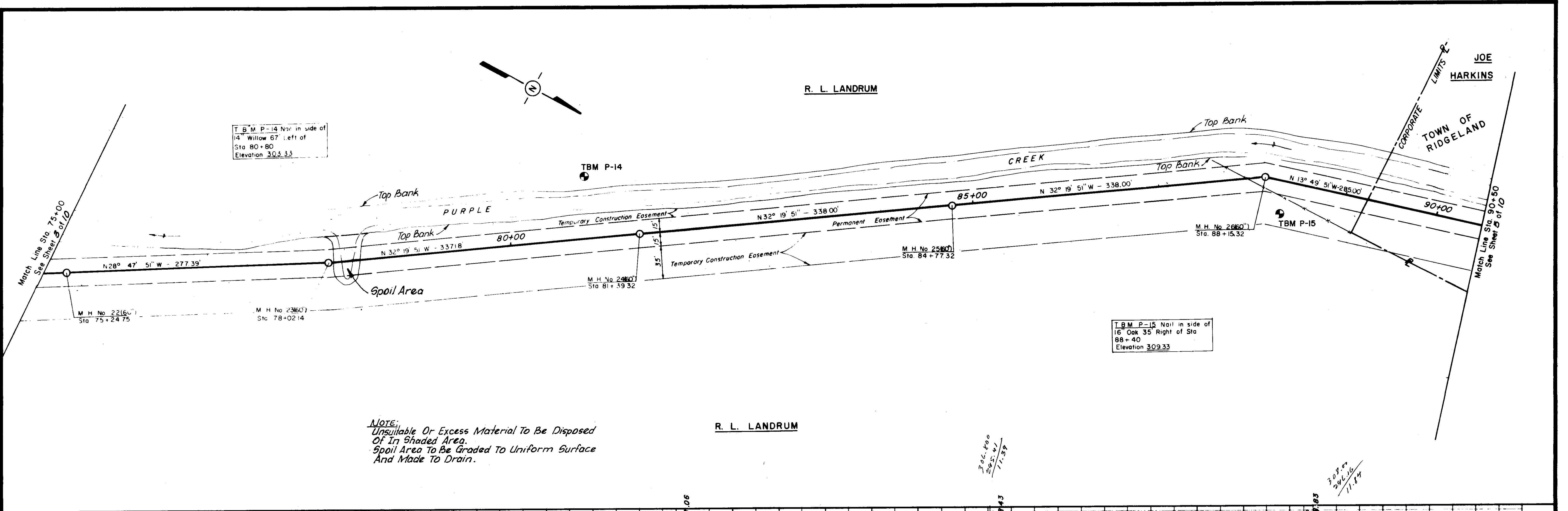
ITEM NO.	DESCRIPTION	UNIT	QUANTITY
PART "B"			
17 - 7	27" R. C. Pipe, C-76, Class III (12' - 14')	L. F.	351
17 - 8	27" R. C. Pipe, C-76, Class III (10' - 12')	L. F.	2,471
17 - 25	27" R. C. Pipe, C-76, Class III (6' - 10')	L. F.	263
17 - 13	60" Standard Manhole (12' - 14')	Ea.	10
17 - 27	60" Drop Manhole (12' - 14')	Ea.	1
17 - 15	Undercut and Select Backfill	C. Y.	300
17 - 28	Metering Station	L. S.	1

AS BUILT

CITY OF JACKSON OWNER
SUMMARY OF QUANTITIES, INDEX TO DRAWINGS AND GENERAL LAYOUT PLAN
PURPLE CREEK OUTFALL WPC Miss. 207 Project No. 169.5M Part B
SMITH AND SANDERS, INC. Consulting Engineers — Jackson, Mississippi
Designed By: P.L.B. Drawn By: V.D.P. Date: 10/74 Sheet 2 of 10

PLAN
 SURVEYED
 PLOTTED
 NOTE BOOK
 # OF WAY CHECKS
 No.

PROFILE
 SURVEYED
 PLOTTED
 NOTE BOOK
 # OF WAY CHECKS
 No.

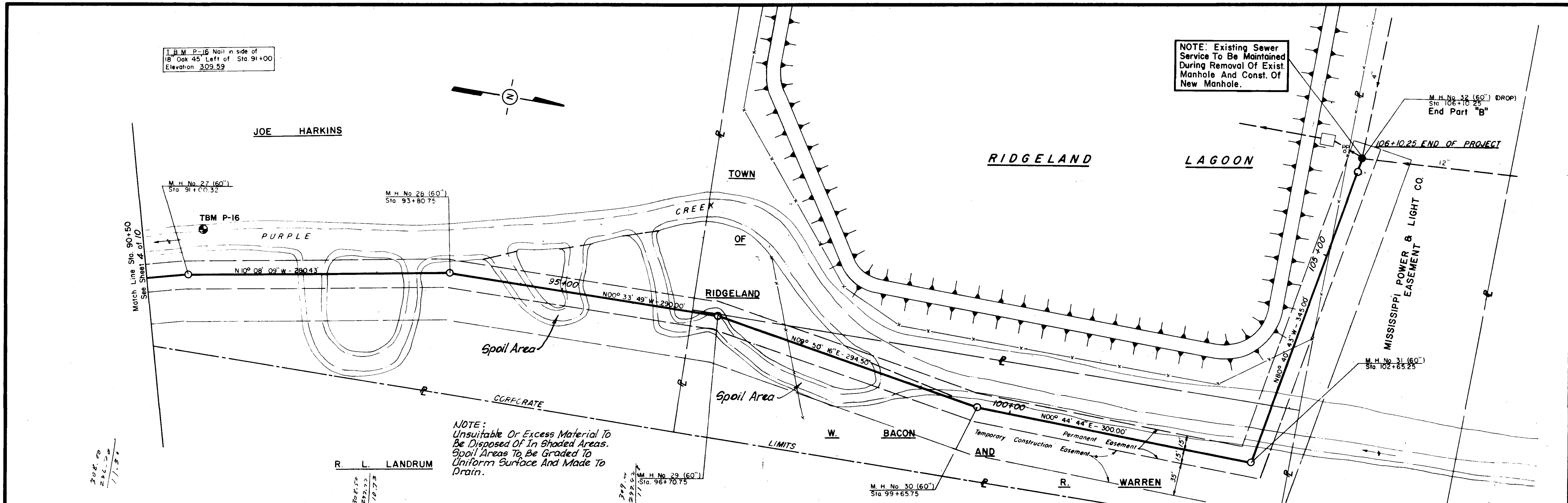


PURPLE CREEK OUTFALL
 WPC Miss. 207 Project No. 169.5M Part B
 SMITH AND SANDERS, INC.
 Consulting Engineers - Jackson, Mississippi
 Designed By: P.L.B. Scale: 1" = 50'
 Drawn By: V.D.P. Date: 10/72 Sheet 4 of 10

DATE _____ BY _____
 PLAN
 NUMBERED
 PLOTTED
 ALIGNMENT CHECKED
 NOTE BOOK _____
 BY OR WAY CHECKED _____
 No. _____

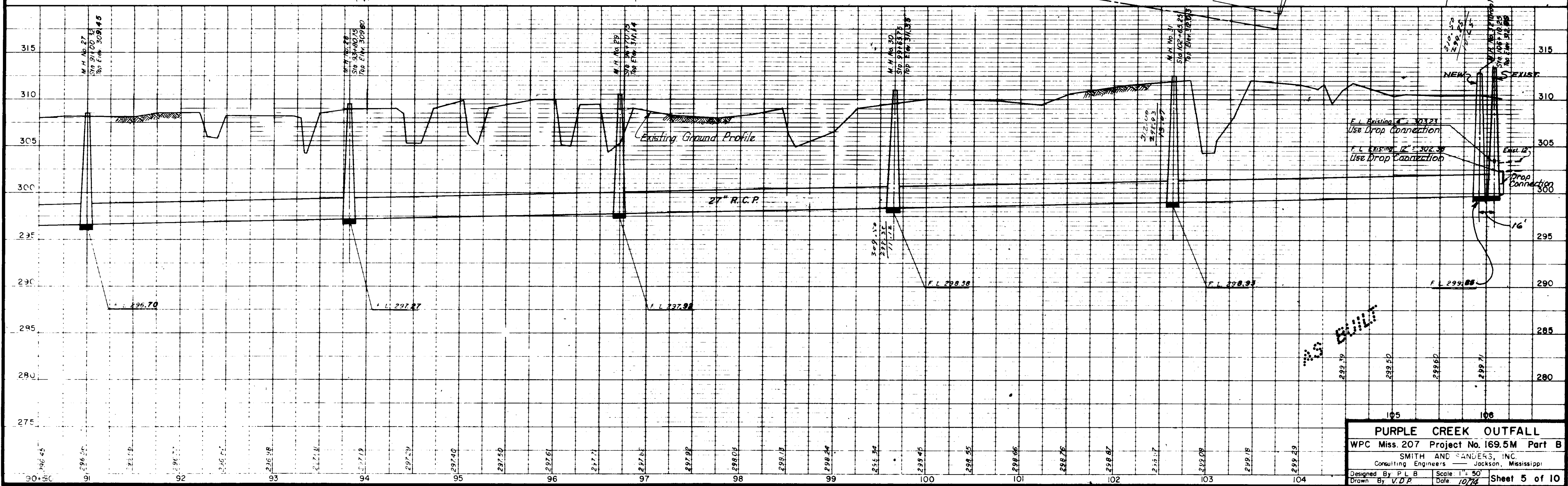
T.B.M. P-16 Nail in side of
 18" Oak 45' Left of Sta 91+00
 Elevation 309.59

NOTE: Existing Sewer
 Service To Be Maintained
 During Removal Of Exist.
 Manhole And Const. Of
 New Manhole.

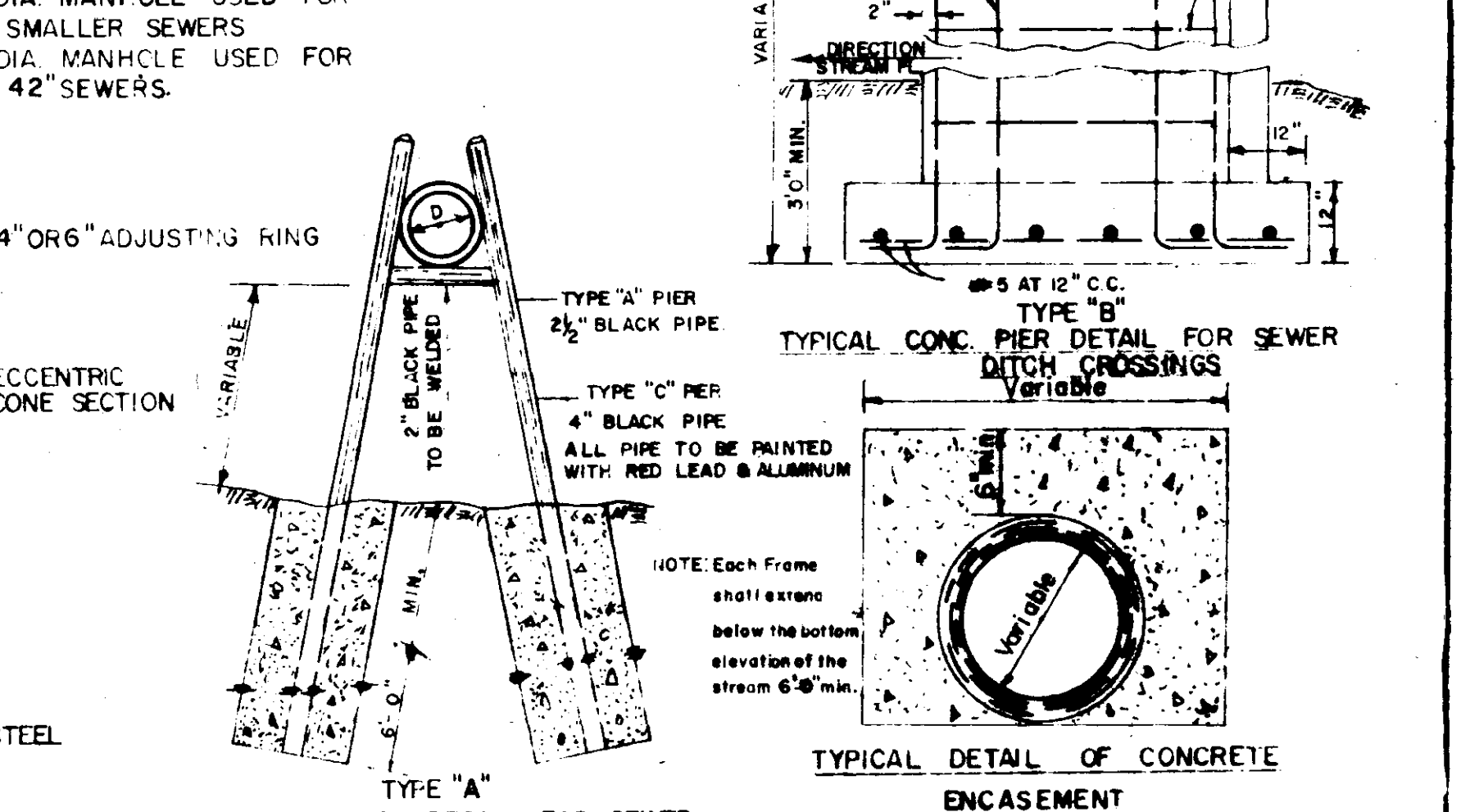
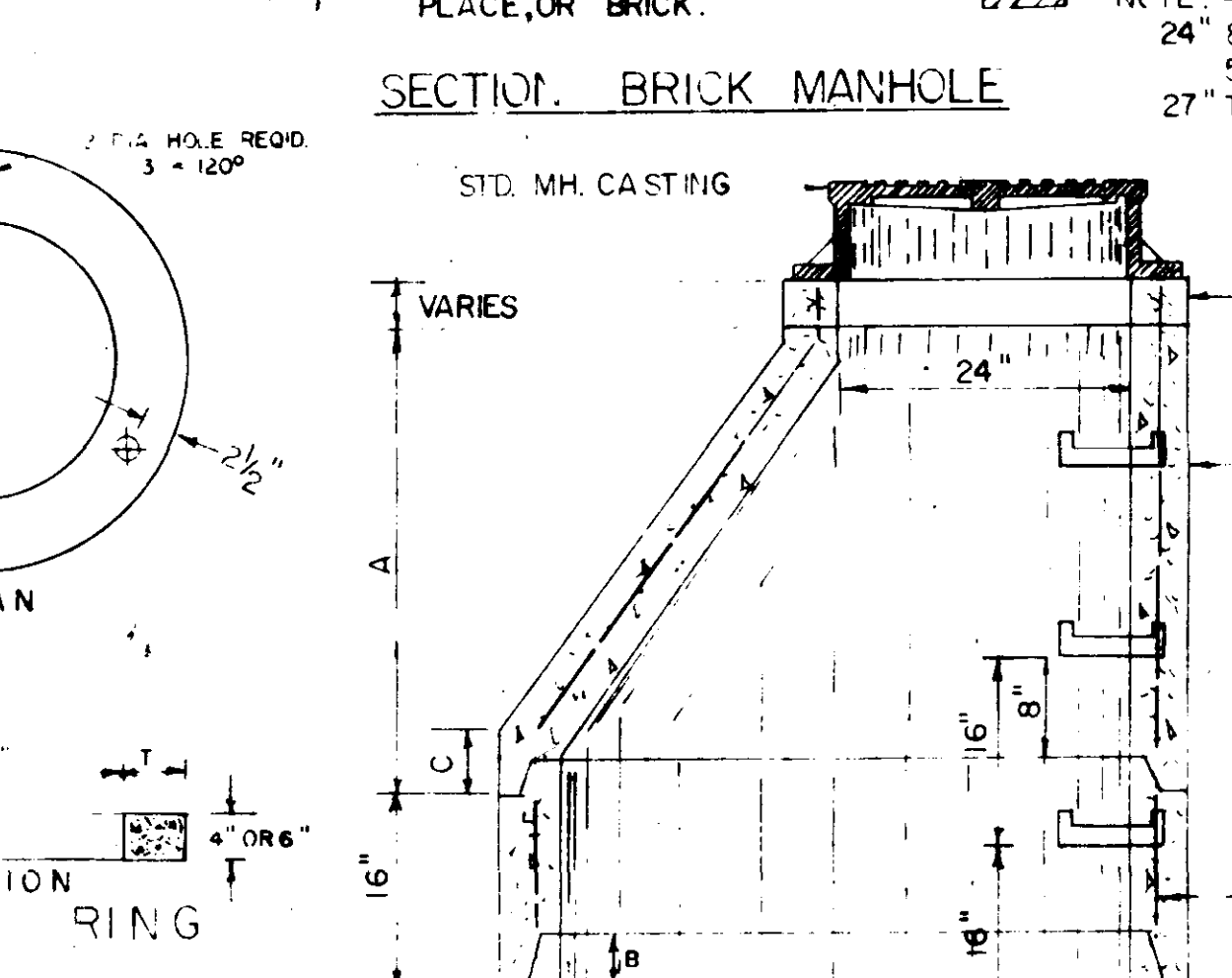
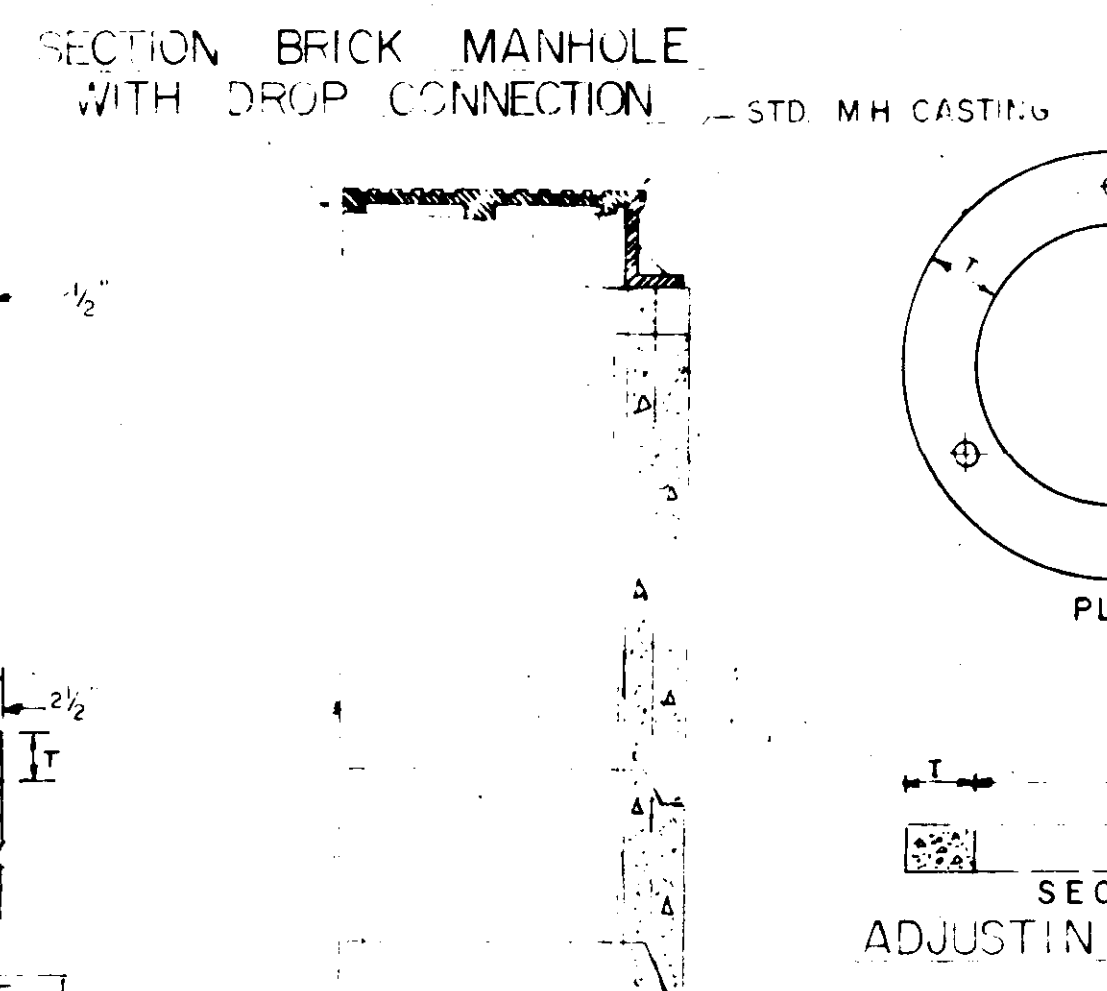
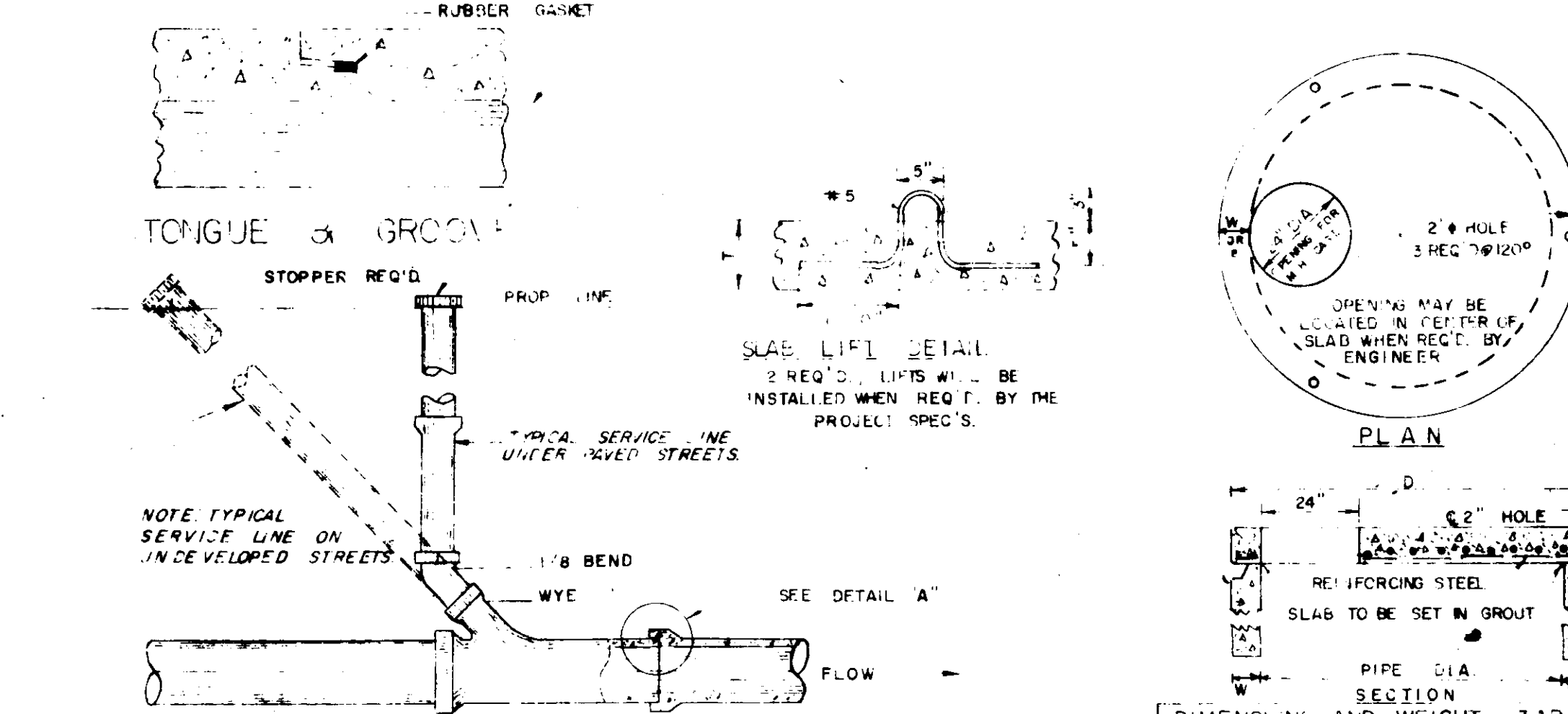
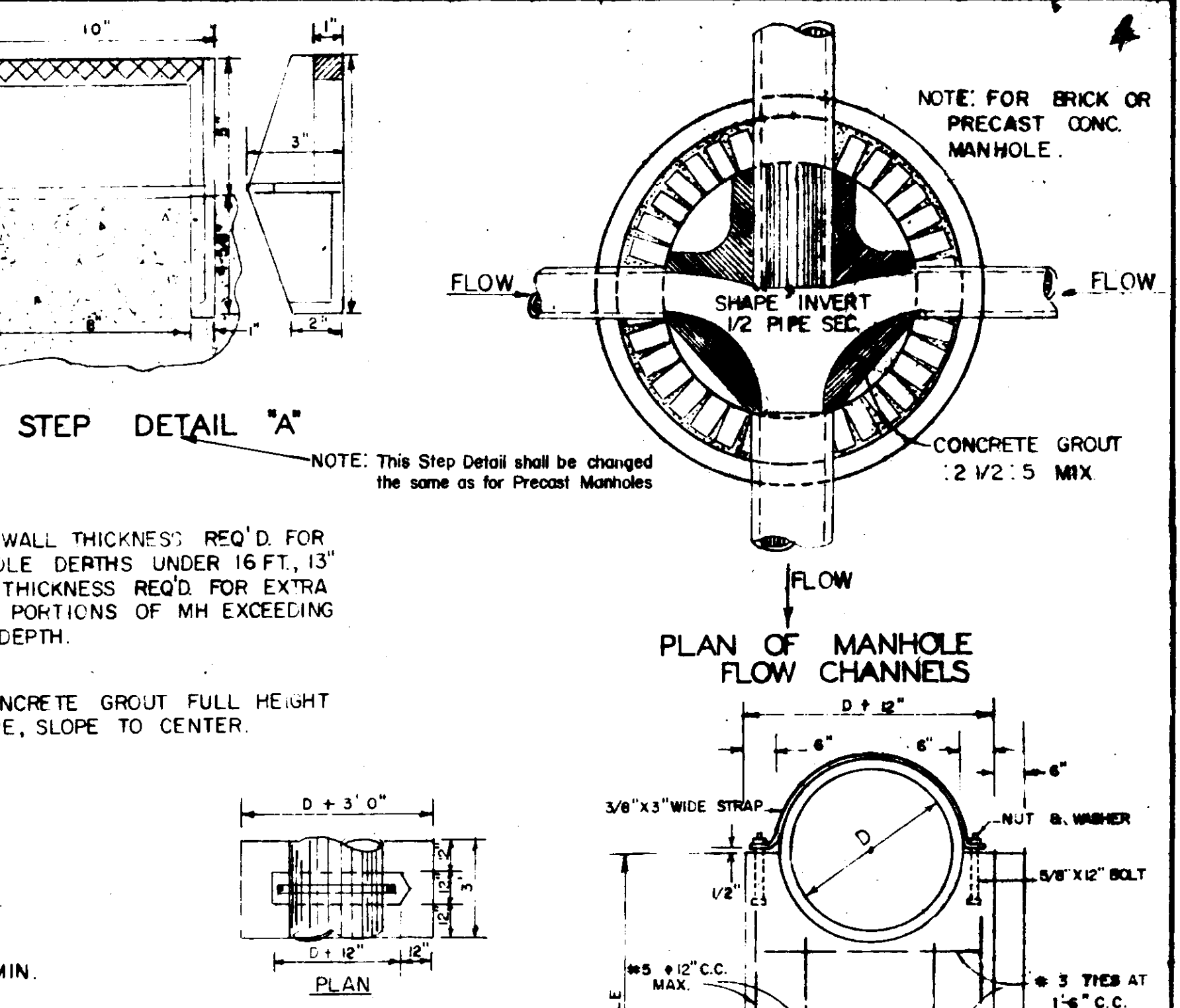
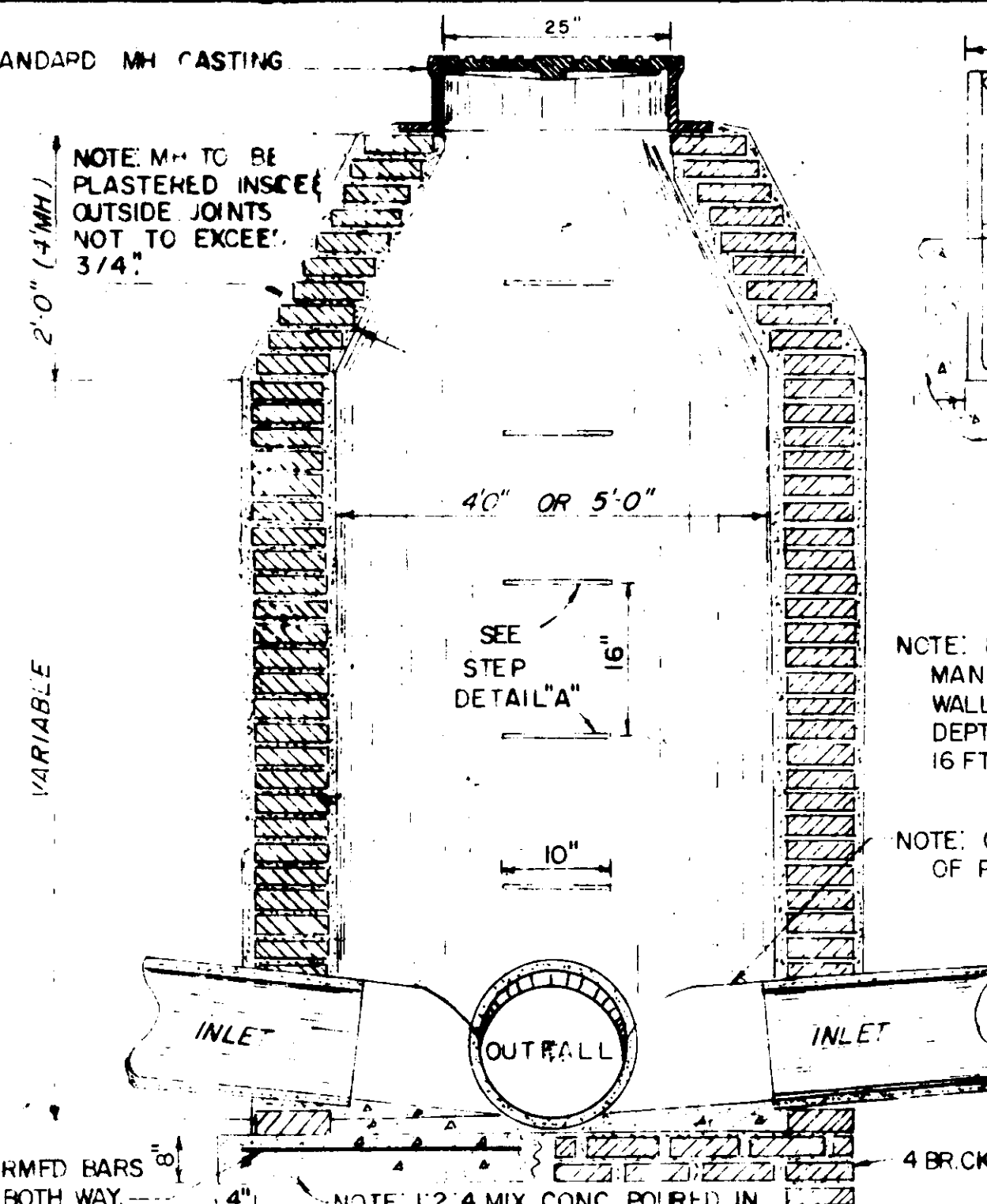
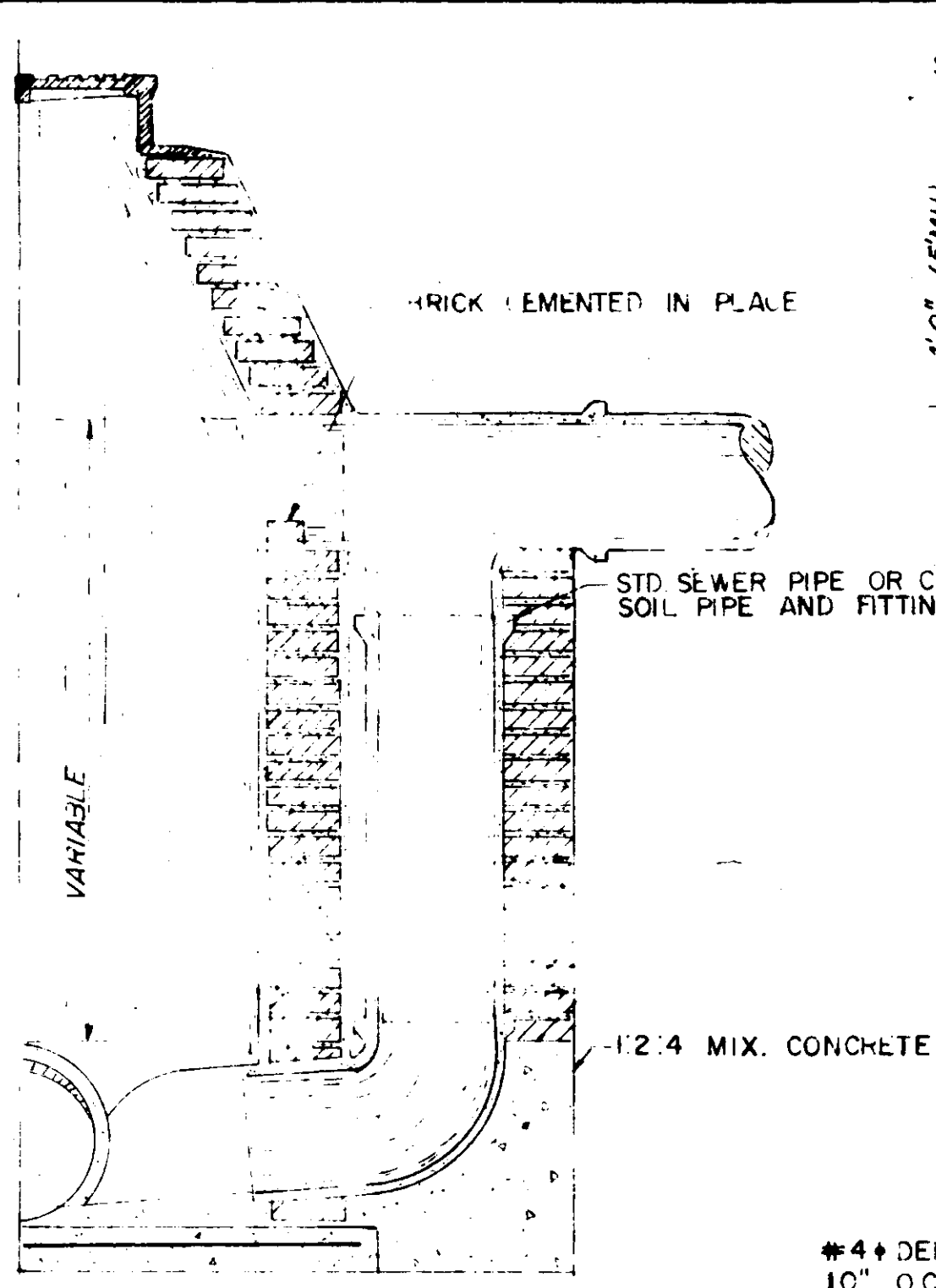
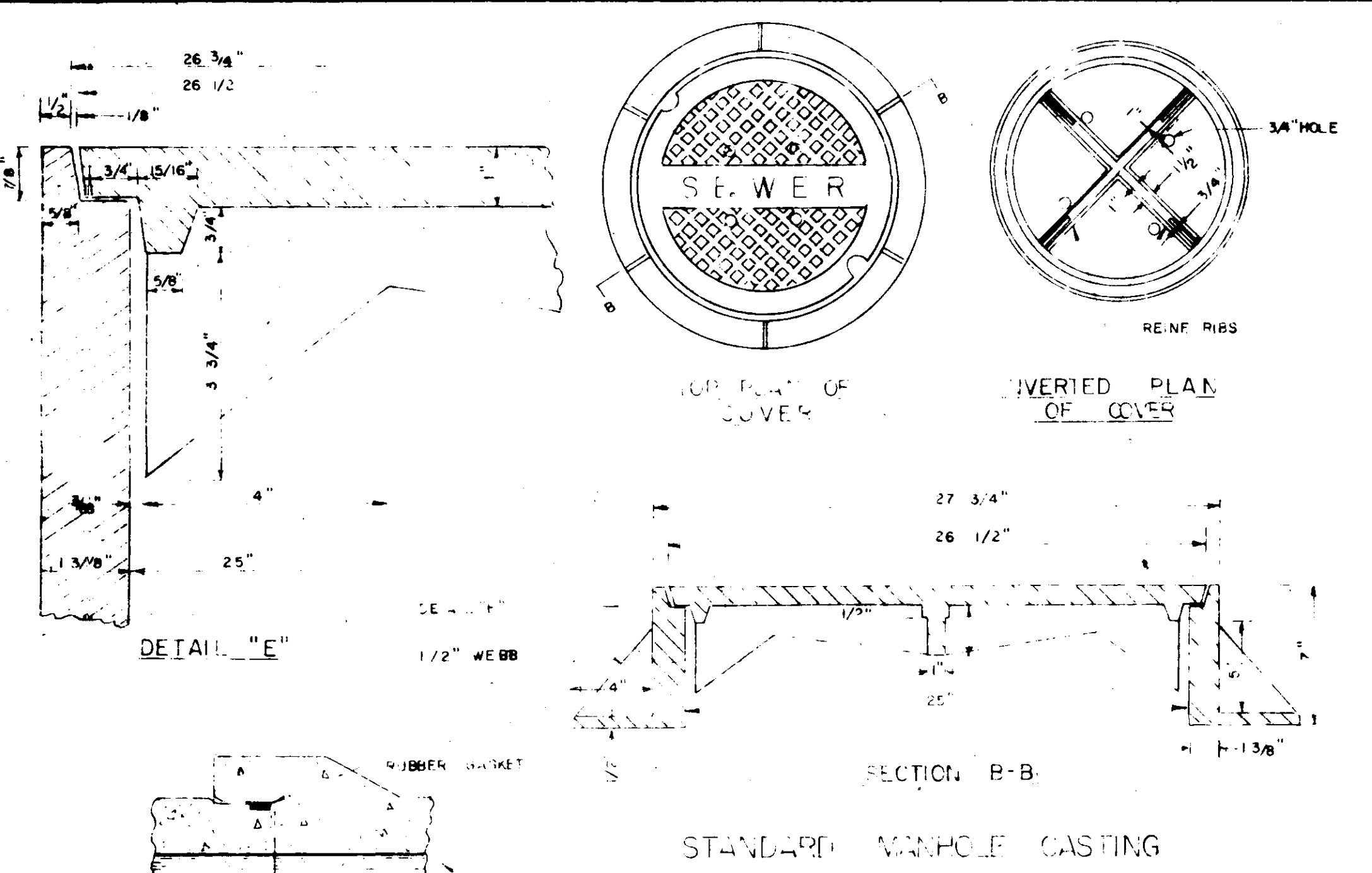


NOTE:
 Unsuitable Or Excess Material To
 Be Disposed Of In Shaded Areas.
 Spoil Areas To Be Graded To
 Uniform Surface And Made To
 Drain.

DATE _____ BY _____
 PROFILE
 NUMBERED
 PLOTTED
 CHECKED
 BY OR WAY CHECKED _____
 No. _____



PURPLE CREEK OUTFALL
 WPC Miss. 207 Project No. 169.5M Part B
 SMITH AND SANDERS, INC.
 Consulting Engineers Jackson, Mississippi
 Designed By P.L.B. Scale 1" = 50'
 Drawn By V.D.Z. Date 10/74 Sheet 5 of 10



PIPE DIA SECTION

PIPE DIA	W	D	T	EST. WT.
48"	5	58"	6"	1,145 LBS.
54"	5 1/2"	65"	8"	1,990 LBS.
60"	6"	72"	8"	2,515
66"	6 1/2"	79"	8"	3,090
72"	7"	86"	8"	3,720
84"	8"	100"	8"	5,140
96"	9"	114"	8"	6,775
108"	10"	126"	8"	8,345

FLAT SLAB MANHOLE JCP.

SECTION OF PRECAST CONCRETE MANHOLE

DIA	A	B	C	T	APPROX. CONC. WEIGHTS LBS.	APPROX. RISER WEIGHT LBS./FT.
48"	38"	3 1/2"	5"	5"	2075	870
60"	36"	5"	9"	6"	3455	1250

OFFICE OF THE CITY ENGINEER
CITY OF JACKSON, MISS.

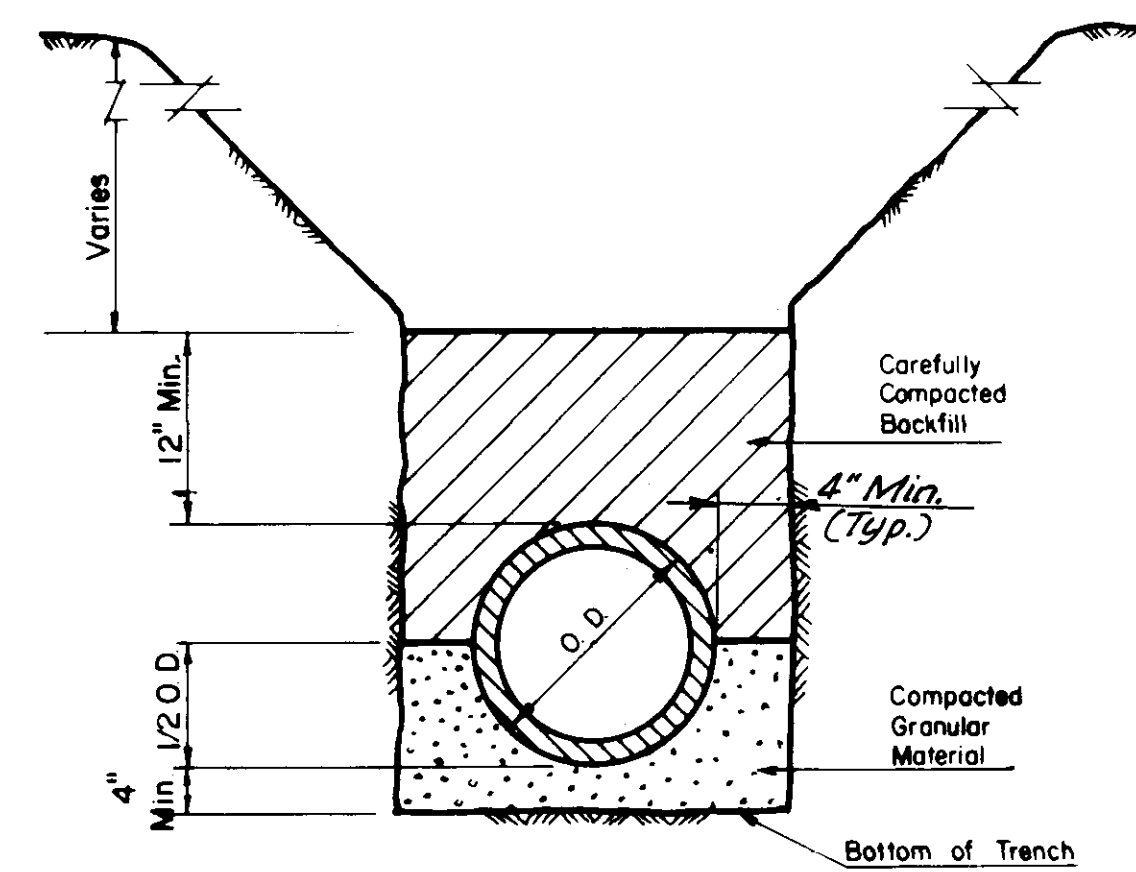
**SANITARY SEWER
MANHOLES & APPURTENANCES
FOR 6" TO 42" SEWERS**

APPROVED: 5-1-68 *O. A. Gustin (Sr.)* CITY ENGINEER

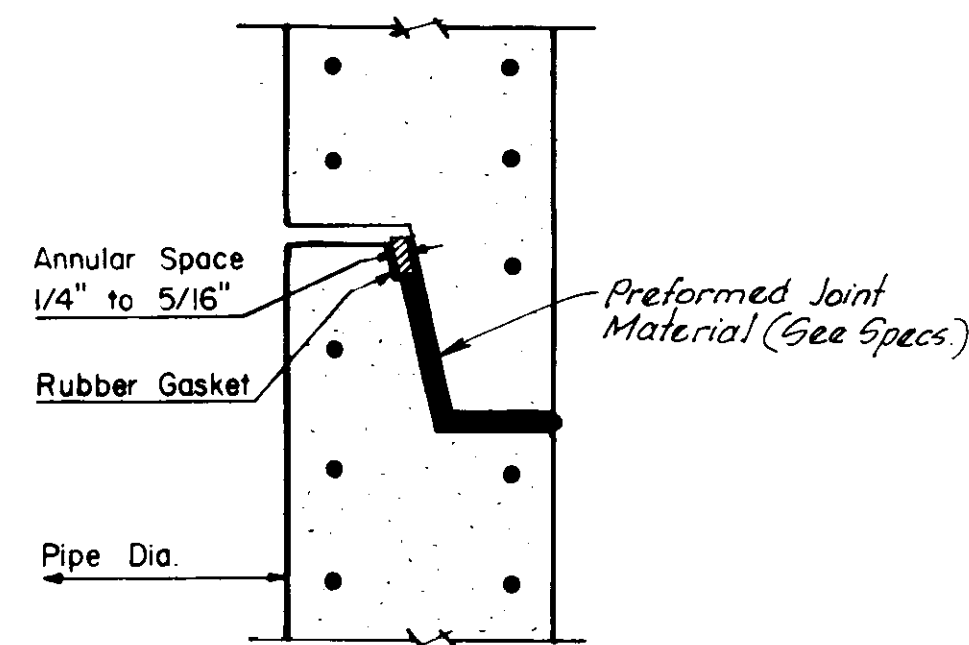
DRAWN BY: _____ DATE: _____

CHECKED BY: _____ DATE: _____

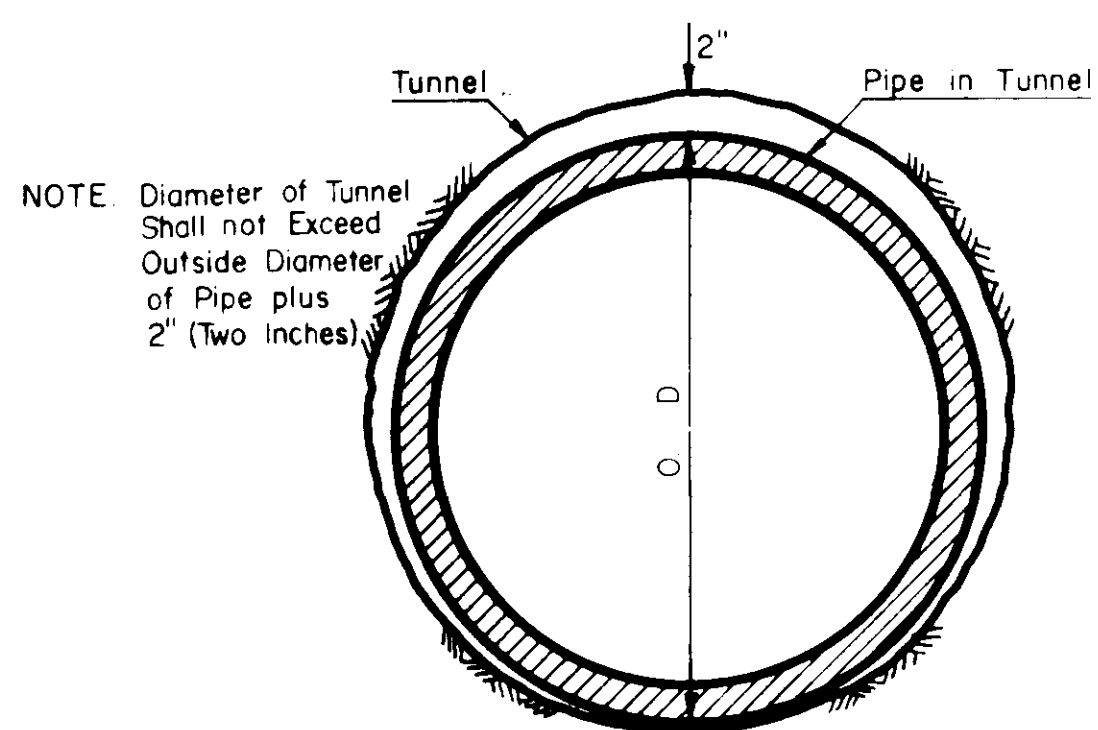
Sheet 6 of 10



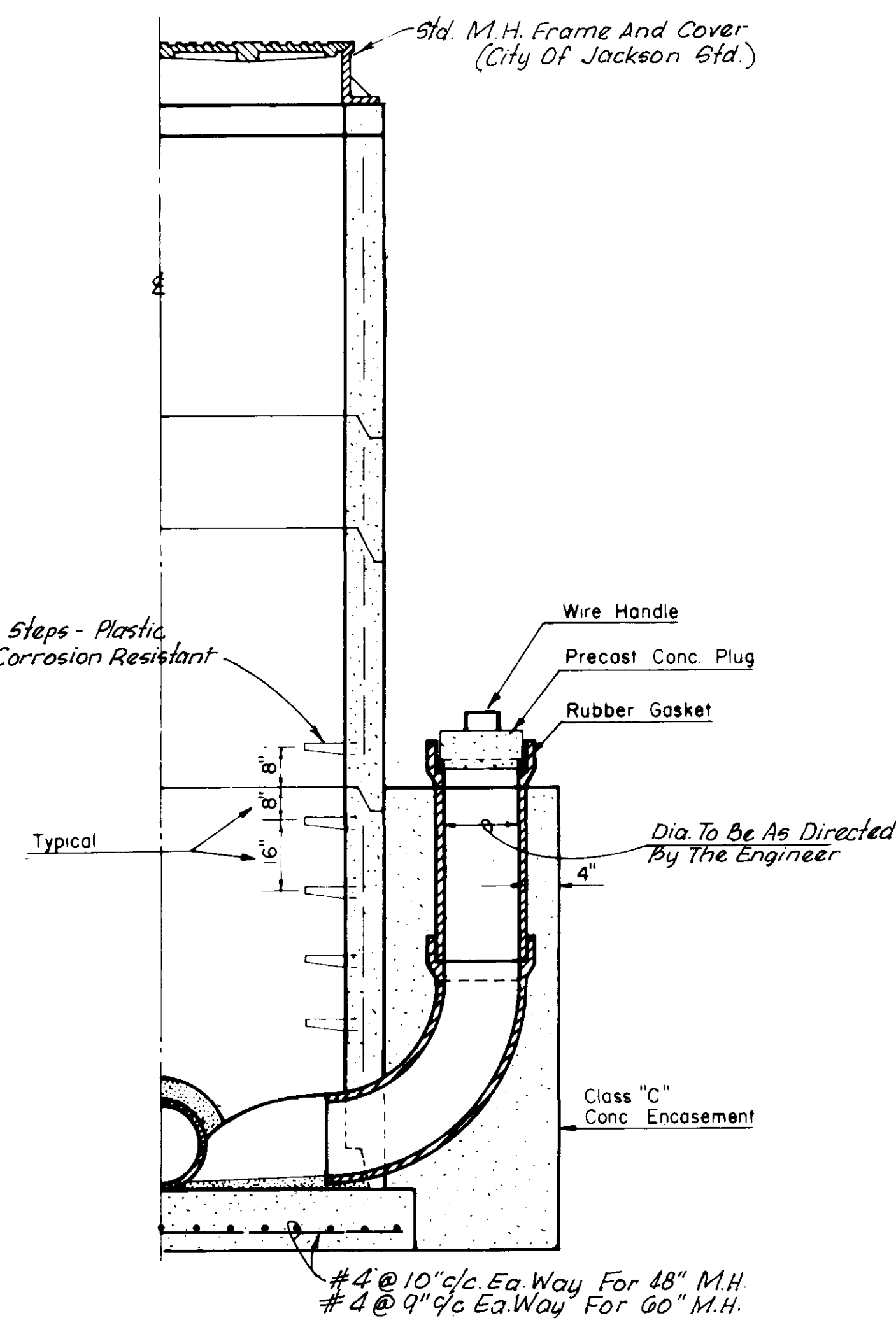
TYPICAL PIPE INSTALLATION
CLASS "B" BEDDING
 NOT TO SCALE



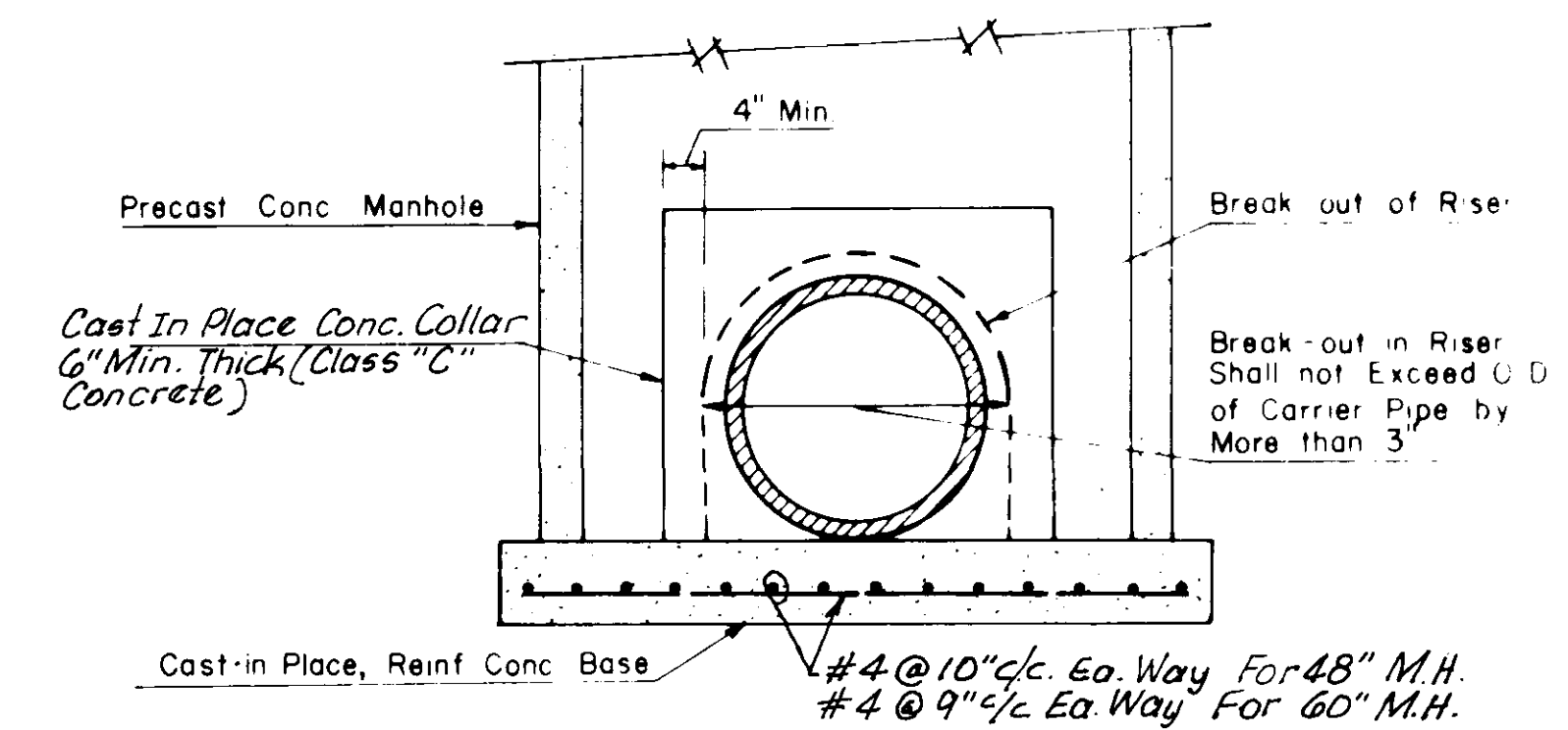
JOINT DETAIL
REINFORCED CONC. SEWER PIPE C-76
 NOT TO SCALE



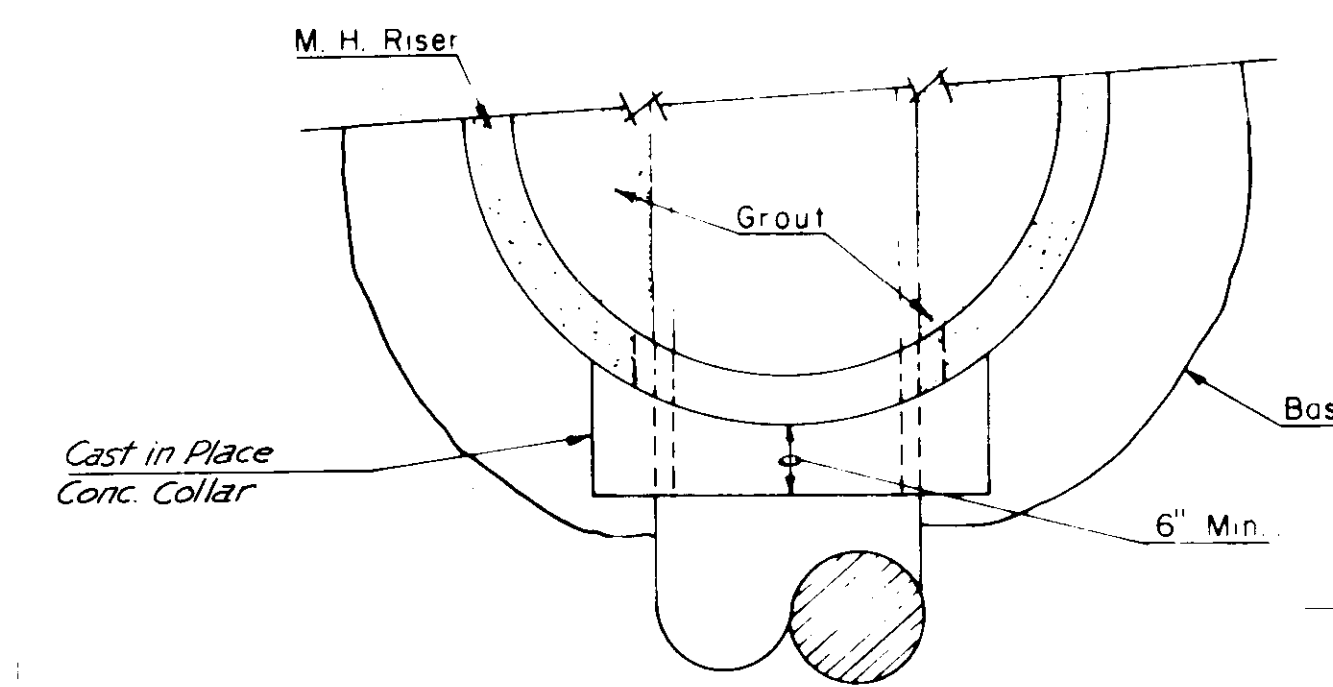
TYPICAL PIPE INSTALLATION AT STREET CROSSINGS
 NOT TO SCALE



MODIFIED DROP MANHOLE DETAIL
 NOT TO SCALE



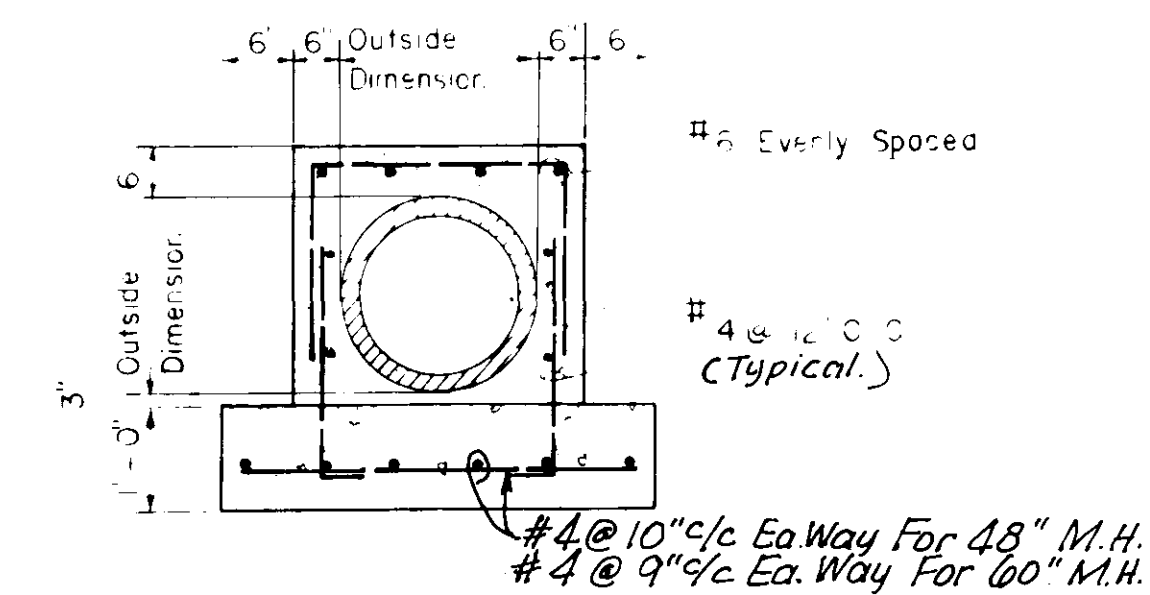
ELEVATION



PLAN

TYPICAL DETAIL OF SEWER PIPE CONNECTION TO MANHOLE

NOT TO SCALE

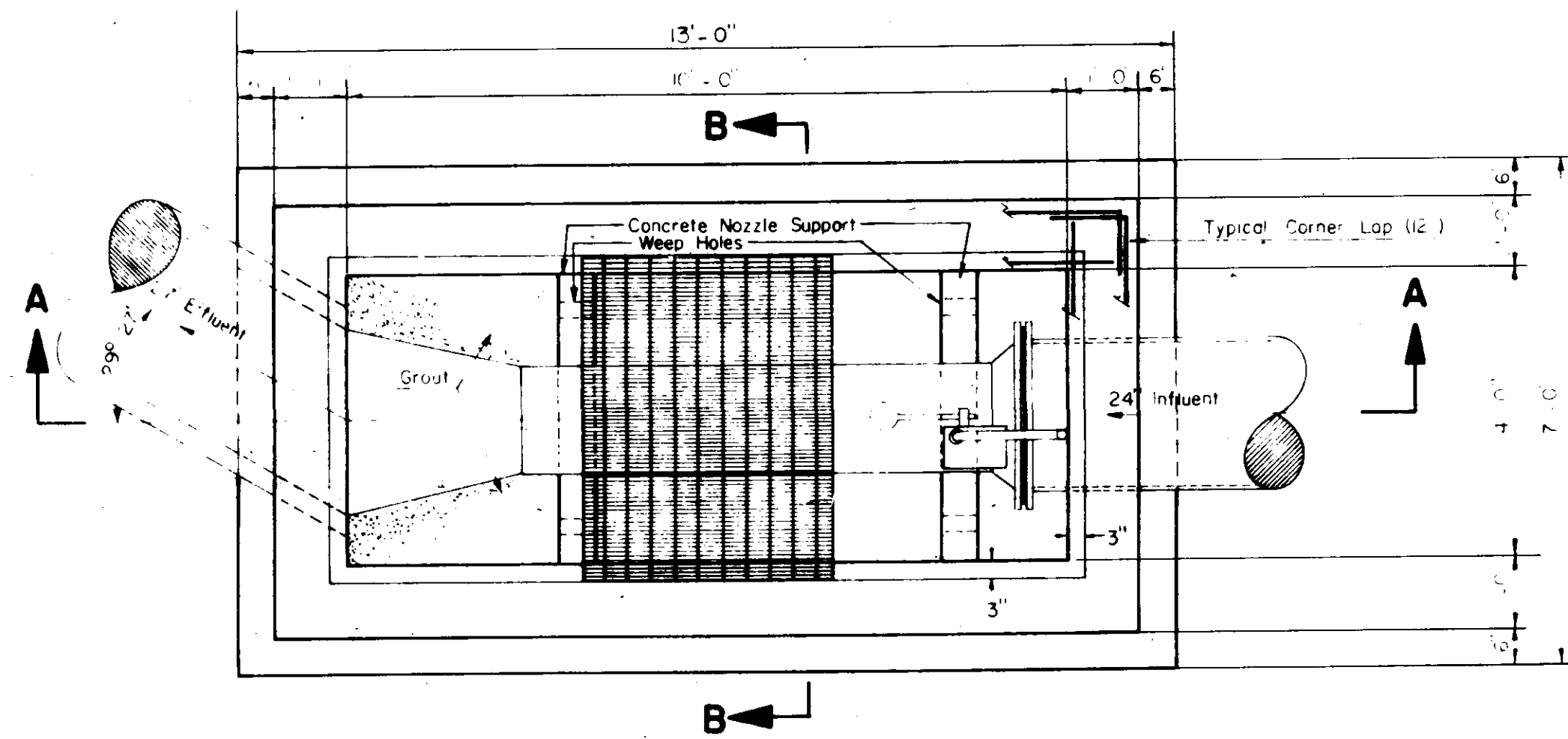


CONCRETE ENCASEMENT DETAIL

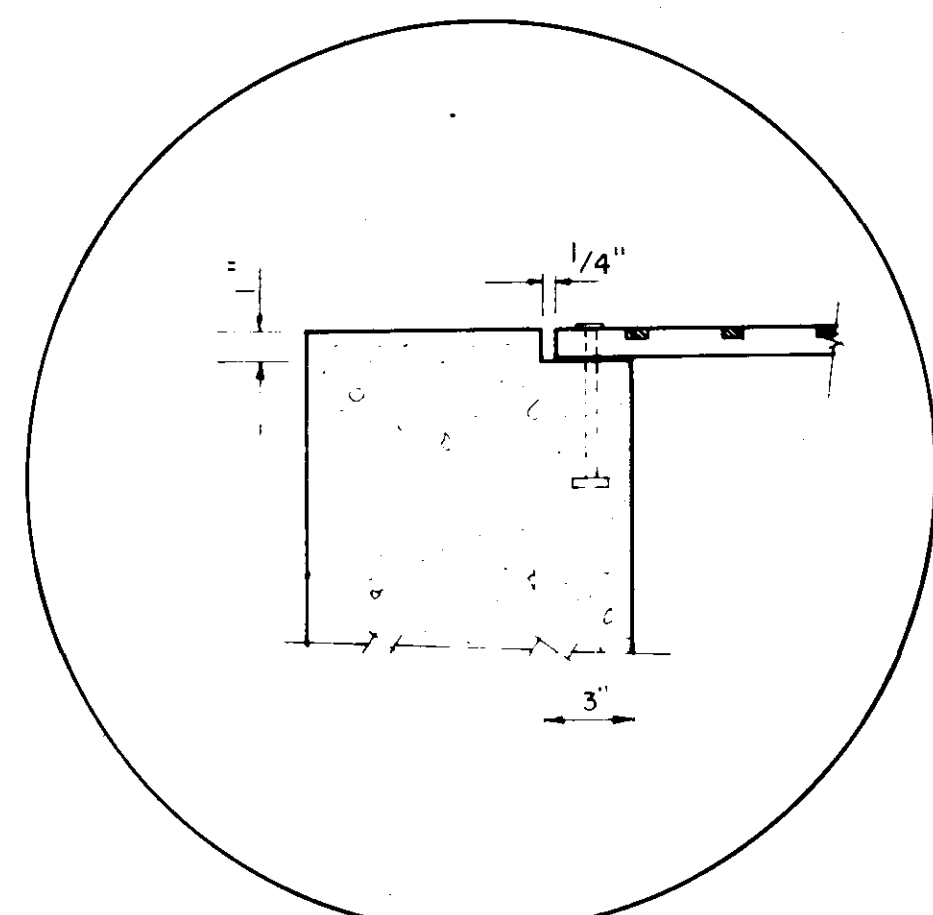
NOT TO SCALE

AS BUILT

CITY OF JACKSON OWNER	
SANITARY SEWER INTERCEPTOR SYSTEM	
MISCELLANEOUS DETAILS	
PURPLE CREEK OUTFALL	
WPC Miss. 207	Project No. 169.5M Part B
SMITH AND SANDERS, INC. Consulting Engineers Jackson, Mississippi	
Designed By: Eng Lab, Inc.	Scale: As Shown
Drawn By: V. D. P.	Date: 10/74
Sheet No 7 of 10	

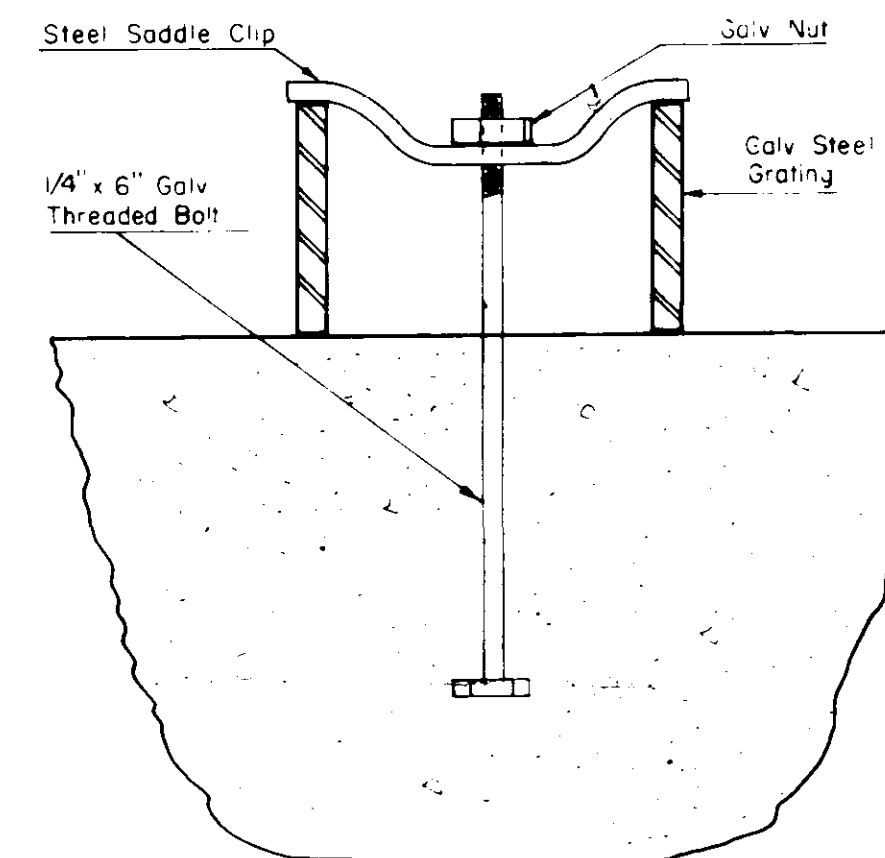


METERING STATION PLAN
SCALE: 1/2"=1'-0"



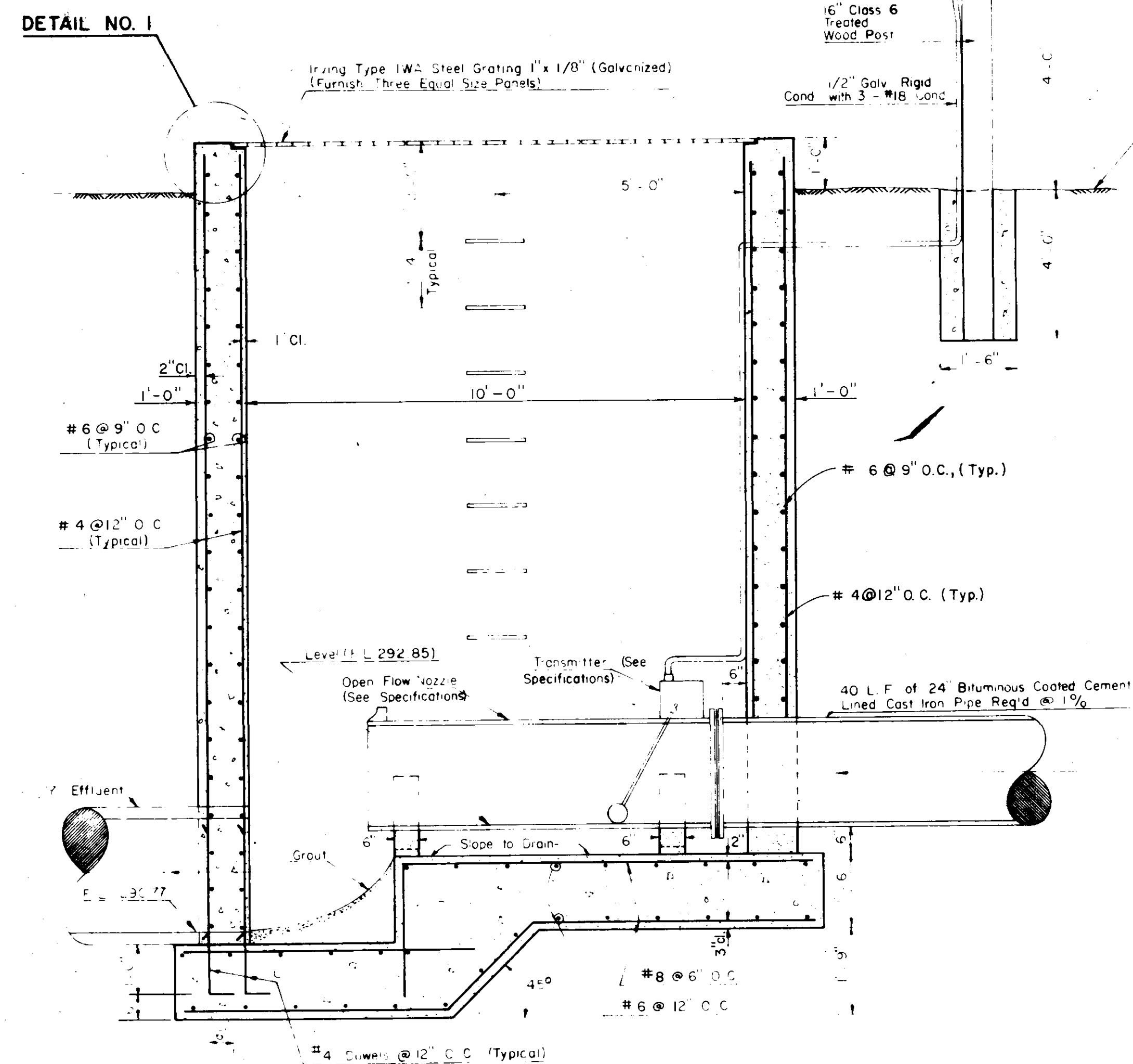
TYPICAL DETAIL NO. 1

NOT TO SCALE



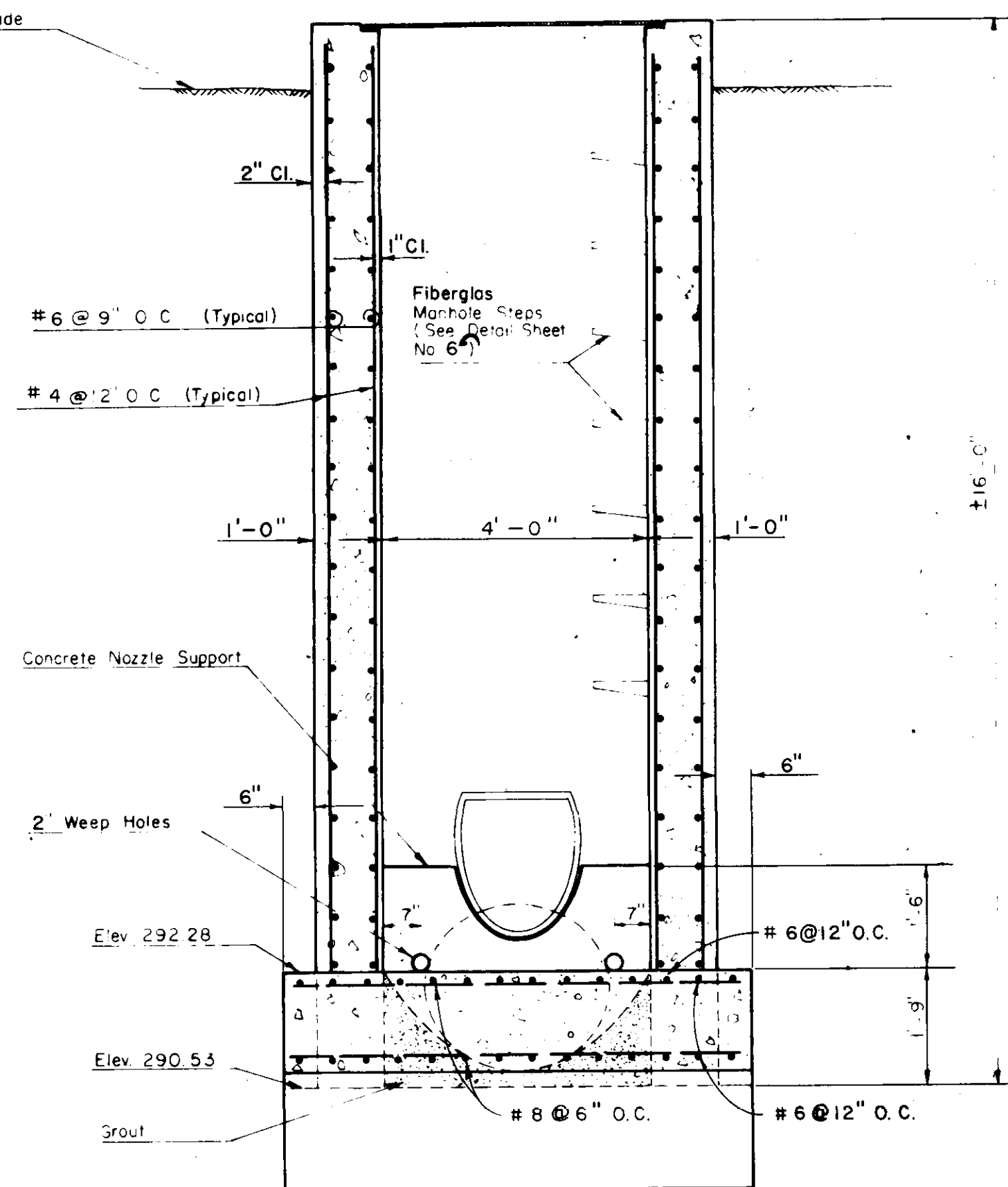
GRATING ANCHORS

(2 Per Side Ea Panel)
NOT TO SCALE



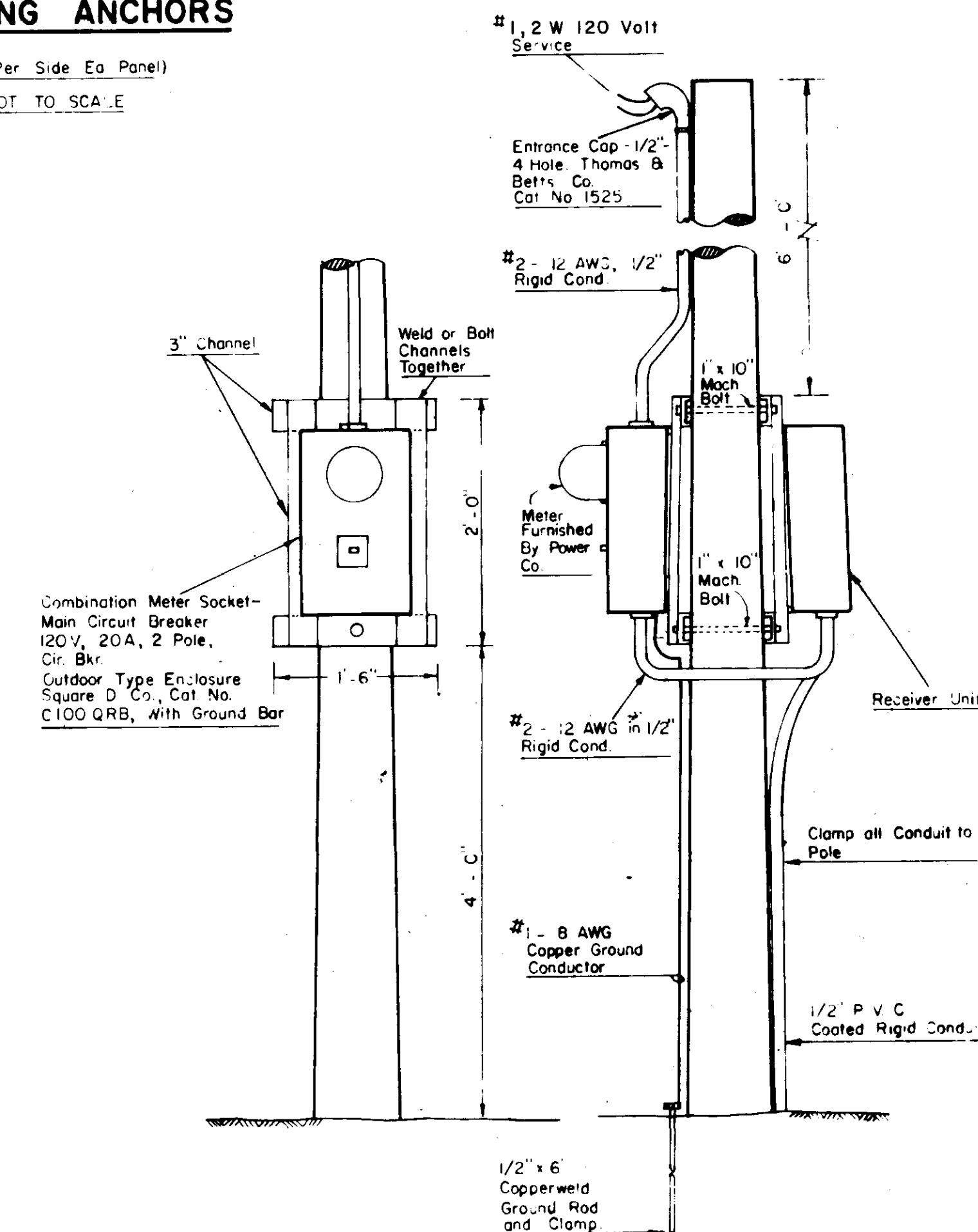
SECTION A-A
SCALE: 1/2"=1'-0"

NOTE:
Flow Nozzle, Transmitter, Receiver
And 40 Lin. Ft. 24" C.I. Pipe To Be
Furnished By The Owner And
Installed By The Contractor Under
Pay Item No. 17-28.



SECTION B-B

SCALE: 1/2"=1'-0"



ELECTRICAL DETAIL

NOT TO SCALE

AS BUILT

CITY OF JACKSON OWNER		
SANITARY SEWER INTERCEPTOR SYSTEM		
METERING STATION PLANS		
PURPLE CREEK OUTFALL		
WPC Miss. 207 Project No. 169.5M Part B		
SMITH AND SANDERS, INC. Consulting Engineers Jackson, Mississippi		
Designed By: P. R. B.	Scale: 1"=5'	Sheet No. 8 of 10
Drawn By: J.L.J./V.D.P.	Date: 10/74	

ENGINEERS LABORATORIES, INCORPORATED Jackson, Mississippi **LOG OF BORING**

Boring No.: 11 Type Boring: Auger & Split-Spoon Project: Purple Creek Outfall WPC Miss. 207, Project 169.5M Location: Sta. 45+00 CL
 Date: 1-24-73 Job No.: 72-114(2) City of Jackson, Miss.

Depth In Ft.	Log	Description	Sample No.	Blows Per Ft.	Atterberg Limits			% Moist.	Dry Unit Weight PCF	Compression Test		
					L.	L.	P. I.			Qu-c PSF	Strain %	Conf. Press. PSI
0		Medium stiff to	3-1	Auger								
5		Stiff brown & gray silty CLAY	3-2	14								
10			3-3	Auger								
			3-4	9								
15		Stiff gray & brown silty fine sandy CLAY	3-5	Auger								
20		Stiff gray weathered Yazoo CLAY w/fine to coarse sand layer & tr. gravel	3-6	Auger								

Note: Encountered water seepage at 10 feet. Free water at 19 feet.

Boring No.: 12 Type Boring: Auger & Split-Spoon Location: Sta. 49+00 CL

Depth In Ft.	Log	Description	Sample No.	Blows Per Ft.	Atterberg Limits			% Moist.	Dry Unit Weight PCF	Compression Test		
					L.	L.	P. I.			Qu-c PSF	Strain %	Conf. Press. PSI
0		Medium stiff to Soft brown & gray silty CLAY	11-1	Auger								
5		Medium stiff to Stiff brown & gray silty CLAY	11-2	Auger								
10		Very stiff gray & brown clayey fine sandy SILT	11-3	4								
			11-4	Auger								
			11-5	16								
15		Stiff tan & gray weathered Yazoo CLAY	11-6	Auger								
20			11-7	Auger								

Note: Encountered water seepage at 7 1/2 and 11 1/2 feet.

ENGINEERS LABORATORIES, INCORPORATED Jackson, Mississippi **LOG OF BORING**

Boring No.: 17 Type Boring: Auger & Split-Spoon Project: Purple Creek Outfall WPC Miss. 207, Project 169.5M Location: Sta. 69+00 CL
 Date: 2-5-73 Job No.: 72-114(2) City of Jackson, Miss.

Depth In Ft.	Log	Description	Sample No.	Blows Per Ft.	Atterberg Limits			% Moist.	Dry Unit Weight PCF	Compression Test		
					L.	L.	P. I.			Qu-c PSF	Strain %	Conf. Press. PSI
0		Medium stiff to soft brown silty CLAY	9-7	Auger								
5		Very stiff brown & gray clayey SILT	9-8	20								
10		Stiff brown & gray silty CLAY	9-9	Auger								
			9-10	11								
15		Stiff tan & gray weathered Yazoo CLAY w/tr. gravel	9-11	Auger								
20		Stiff tan & gray weathered Yazoo CLAY	9-12	Auger								

Note: Encountered slight water seepage at 4 1/2 feet.

Boring No.: 18 Type Boring: Auger & Split-Spoon Location: Sta. 73+00 CL

Depth In Ft.	Log	Description	Sample No.	Blows Per Ft.	Atterberg Limits			% Moist.	Dry Unit Weight PCF	Compression Test		
					L.	L.	P. I.			Qu-c PSF	Strain %	Conf. Press. PSI
0		Medium stiff brown silty CLAY	8-1	Auger								
5		Soft brown & gray clayey SILT	8-2	Auger								
10		Medium stiff brown & gray silty CLAY	8-3	Auger								
			8-4	Auger								
15		Very stiff brown & gray fine sandy clayey SILT	8-5	Auger								
20		Stiff tan & gray weathered Yazoo CLAY w/fine sand seams	8-6	Auger								

Note: Encountered water seepage at 4 feet.

ENGINEERS LABORATORIES, INCORPORATED Jackson, Mississippi **LOG OF BORING**

Boring No.: 13 Type Boring: Auger & Split-Spoon Project: Purple Creek Outfall WPC Miss. 207, Project 169.5M Location: Sta. 53+00 CL
 Date: 1-24-73 Job No.: 72-114(2) City of Jackson, Miss.

Depth In Ft.	Log	Description	Sample No.	Blows Per Ft.	Atterberg Limits			% Moist.	Dry Unit Weight PCF	Compression Test		
					L.	L.	P. I.			Qu-c PSF	Strain %	Conf. Press. PSI
0		Stiff brown & gray silty CLAY	3-7	Auger								
5			3-8	11								
10		Stiff brown & gray fine sandy silty CLAY	3-9	8								
15		Medium dense brown & gray clayey silty fine SAND	3-10	Auger								
20		Stiff tan & gray weathered Yazoo CLAY	3-11	Auger								

Note: Encountered water seepage at 10 1/2 feet. Free water at 15 feet.

Boring No.: 14 Type Boring: Auger & Split-Spoon Location: Sta. 57+00 CL

Depth In Ft.	Log	Description	Sample No.	Blows Per Ft.	Atterberg Limits			% Moist.	Dry Unit Weight PCF	Compression Test		
					L.	L.	P. I.			Qu-c PSF	Strain %	Conf. Press. PSI
0		Medium stiff to	4-1	Auger								
5		Stiff brown & gray silty CLAY	4-2	14								
10			4-3	11								
15		Stiff brown & gray silty fine sandy CLAY w/fine sand seams	4-4	Auger								
20		Stiff brown & gray fine to co. sandy silty CLAY	4-5	Auger								

Note: Encountered water seepage at 10 1/2 feet. Free water at 16 feet.

ENGINEERS LABORATORIES, INCORPORATED Jackson, Mississippi **LOG OF BORING**

Boring No.: 19 Type Boring: Auger & Split-Spoon Project: Purple Creek Outfall WPC Miss. 207, Project 169.5M Location: Sta. 77+00 CL
 Date: 2-2-73 Job No.: 72-114(2) City of Jackson, Miss.

Depth In Ft.	Log	Description	Sample No.	Blows Per Ft.	Atterberg Limits			% Moist.	Dry Unit Weight PCF	Compression Test		
					L.	L.	P. I.			Qu-c PSF	Strain %	Conf. Press. PSI
0		Medium stiff brown silty CLAY	7-8	Auger								
5		Soft gray silty CLAY w/some organic matter	7-9	1								
10		Medium stiff gray silty CLAY	7-10	Auger								
15		Stiff gray & brown fine sandy silty CLAY w/some gravel	7-11	14								
20		Stiff tan & gray weathered Yazoo CLAY w/trace of gravel	7-12	Auger								

Note: Encountered water seepage at 3 feet.

Boring No.: 20 Type Boring: Auger & Split-Spoon Location: Sta. 81+00 CL

Depth In Ft.	Log	Description	Sample No.	Blows Per Ft.	Atterberg Limits			% Moist.	Dry Unit Weight PCF	Compression Test		
					L.	L.	P. I.			Qu-c PSF	Strain %	Conf. Press. PSI
0		Medium stiff to	7-1	Auger								
5		Soft brown silty CLAY	7-2	Auger								
10		Soft brown & gray clayey SILT	7-3	2								
15		Stiff to Very stiff brown & gray silty CLAY	7-4	Auger								
20		Loose brown & gray clayey fine SAND	7-5	17								

Note: Encountered water seepage at 4 feet. Free water at 14 feet.

ENGINEERS LABORATORIES, INCORPORATED Jackson, Mississippi **LOG OF BORING**

Boring No.: 15 Type Boring: Auger & Split-Spoon Project: Purple Creek Outfall WPC Miss. 207, Project 169.5M Location: Sta. 61+00 CL
 Date: 2-5-73 Job No.: 72-114(2) City of Jackson, Miss.

Depth In Ft.	Log	Description	Sample No.	Blows Per Ft.	Atterberg Limits			% Moist.	Dry Unit Weight PCF	Compression Test		
					L.	L.	P. I.			Qu-c PSF	Strain %	Conf. Press. PSI
0		Medium stiff to	10-7	Auger								
5		Soft brown silty CLAY	10-8	Auger								
10		Soft brown & gray fine sandy silty CLAY w/fine sand seams	10-9	2								
15		Very stiff brown & gray slightly silty & fine sandy CLAY	10-10	Auger								
20		Very stiff brown & gray slightly fine to medium sandy CLAY	10-11	22								

Note: Encountered water seepage at 5 1/2 and 10 1/2 feet.

Boring No.: 16 Type Boring: Auger & Split-Spoon Location: Sta. 65+00 CL

Depth In Ft.	Log	Description	Sample No.	Blows Per Ft.	Atterberg Limits			% Moist.	Dry Unit Weight PCF	Compression Test		
					L.	L.	P. I.			Qu-c PSF	Strain %	Conf. Press. PSI
0		Medium stiff to Soft brown & gray silty CLAY	10-1	Auger								
5		Medium stiff brown & gray very fine sandy silty CLAY	10-2	Auger								
10		Stiff brown & gray fine to medium sandy CLAY w/trace gravel	10-3	6								
15		Very stiff brown & gray silty CLAY	10-4	Auger								
20		Stiff tan & gray weathered Yazoo CLAY w/fine to med. sand seams	10-5	18								

Note: Encountered water seepage at 4 1/2 & 9 1/2 feet.

NOTE:
 SUBSURFACE INFORMATION AND DATA
 The subsurface information and data furnished in these drawings reflects the conditions found to exist at the sites selected for exploration. Sites were selected at locations that would normally reflect conditions in the general vicinity, however, the Owner will not be responsible for any deduction, interpretation or conclusions drawn therefrom by the Contractor. The information is made available to Bidders, including the Contractor, in order that He may have access to it.

AS BUILT

CITY OF JACKSON OWNER	
SANITARY SEWER INTERCEPTOR SYSTEM	
LOG OF BORINGS	
PURPLE CREEK OUTFALL	
WPC Miss. 207 Project No. 169.5M Part B	
SMITH AND SANDERS, INC. Consulting Engineers Jackson, Mississippi	
Designed By: Eng. Lab, Inc.	Scale: 1"=5'
Drawn By: V.D.P.	Date: 10/74
Sheet No 9 of 10	

ENGINEERS LABORATORIES, INCORPORATED Jackson, Mississippi

LOG OF BORING

Boring No.: 21 Type Boring: Auger & Split-Spoon Project: Purple Creek Outfall Location: Sta. 85+00 CL
WPC Miss. 207, Project 169.5M
Date: 2-2-73 Job. No.: 72-114(2) City of Jackson, Miss.

Depth in Feet	Log Sample	Description Surface Elev.	Sample No.	Blows Per Ft.	Atterberg Limits		% Moist.	Dry Unit Weight pcf	Compression Test			
					L. L.	P. L.			Qu-c PSF	Strain %	Conf. Press. PSI	
0		Medium stiff	6-7	Auger								
		to	6-8	Auger								
5		Stiff gray & brown silty CLAY	6-9	19								
		Stiff red-brown & gray fine sandy clayey SILT	6-10	Auger								
10		Very stiff brown & gray fine sandy silty CLAY	6-11	16								
15		Medium dense brown & gray clayey fine SAND	6-12	Auger								
20		Stiff brown & gray fine sandy CLAY										
Note: Encountered water seepage at 2 & 19 feet.												

Boring No.: 22 Type Boring: Auger & Split-Spoon Location: Sta. 89+00 CL

Depth in Feet	Log Sample	Description Surface Elev.	Sample No.	Blows Per Ft.	Atterberg Limits		% Moist.	Dry Unit Weight pcf	Compression Test			
					L. L.	P. L.			Qu-c PSF	Strain %	Conf. Press. PSI	
0		Medium stiff	6-1	Auger								
		to	6-2	Auger								
5		Soft brown silty CLAY	6-3	4								
		Medium stiff gray & brown fine sandy clayey SILT	6-4	Auger								
10		Stiff red-brown & gray fine sandy silty CLAY	6-5	22								
15		Very stiff brown & gray silty CLAY	6-6	Auger								
20		Stiff tan & gray fine sandy CLAY										
Note: Encountered water seepage at 3 feet.												

ENGINEERS LABORATORIES, INCORPORATED Jackson, Mississippi

LOG OF BORING

Boring No.: 27 Type Boring: Auger & Split-Spoon Project: Purple Creek Outfall Location: Sta. 106+00 CL
WPC Miss. 207, Project 169.5M
Date: 2-2-73 Job. No.: 72-114(2) City of Jackson, Miss.

Depth in Feet	Log Sample	Description Surface Elev.	Sample No.	Blows Per Ft.	Atterberg Limits		% Moist.	Dry Unit Weight pcf	Compression Test			
					L. L.	P. L.			Qu-c PSF	Strain %	Conf. Press. PSI	
0		Medium stiff brown	8-6	Auger								
		to	8-7	Auger								
5		Soft brown clayey SILT w/organic matter	8-8	1								
		Stiff to very stiff brown & gray silty CLAY	8-9	Auger								
10		Stiff brown & gray fine sandy silty CLAY	8-10	18								
15		Stiff brown & gray fine sandy silty CLAY	8-11	Auger								
20		Stiff brown & gray silty CLAY	8-12	Auger								
Note: Encountered water seepage at 3 feet.												

Boring No.: Type Boring: Location:

Depth in Feet	Log Sample	Description Surface Elev.	Sample No.	Blows Per Ft.	Atterberg Limits		% Moist.	Dry Unit Weight pcf	Compression Test			
					L. L.	P. L.			Qu-c PSF	Strain %	Conf. Press. PSI	
0												
5												
10												
15												
20												

ENGINEERS LABORATORIES, INCORPORATED Jackson, Mississippi

LOG OF BORING

Boring No.: 23 Type Boring: Auger & Split-Spoon Project: Purple Creek Outfall Location: Sta. 93+55 CL
WPC Miss. 207, Project 169.5M
Date: 2-2-73 Job. No.: 72-114(2) City of Jackson, Miss.

Depth in Feet	Log Sample	Description Surface Elev.	Sample No.	Blows Per Ft.	Atterberg Limits		% Moist.	Dry Unit Weight pcf	Compression Test			
					L. L.	P. L.			Qu-c PSF	Strain %	Conf. Press. PSI	
0		Medium stiff brown	4-7	Auger								
		slightly silty CLAY	4-8	Auger								
5		Stiff brown silty CLAY	4-9	2								
		Soft brown & gray clayey SILT w/some organic matter	4-10	29								
10		Very stiff brown & gray slightly silty & sandy CLAY	4-11	Auger								
15		Stiff tan & gray weathered Yazoo CLAY										
20												
Note: Encountered slight water seepage at 8 1/2 feet.												

Boring No.: 24 Type Boring: Auger & Split-Spoon Location: Sta. 96+00 CL

Depth in Feet	Log Sample	Description Surface Elev.	Sample No.	Blows Per Ft.	Atterberg Limits		% Moist.	Dry Unit Weight pcf	Compression Test			
					L. L.	P. L.			Qu-c PSF	Strain %	Conf. Press. PSI	
0		Medium stiff	4-12	Auger								
		to	5-1	Auger								
5		Soft brown silty CLAY	5-2	16								
		Very stiff brown & gray clayey fine sandy SILT	5-3	Auger								
10		Stiff brown & gray silty CLAY	5-4	16								
15		Stiff gray & brown fine to medium sandy CLAY w/fine sand seams	5-5	Auger								
20		Stiff tan & gray weathered Yazoo CLAY	5-6	Auger								
Note: Encountered water seepage at 4 1/2 to 15 feet.												

ENGINEERS LABORATORIES, INCORPORATED Jackson, Mississippi

LOG OF BORING

Boring No.: 25 Type Boring: Auger & Split-Spoon Project: Purple Creek Outfall Location: Sta. 100+00 CL
WPC Miss. 207, Project 169.5M
Date: 2-2-73 Job. No.: 72-114(2) City of Jackson, Miss.

Depth in Feet	Log Sample	Description Surface Elev.	Sample No.	Blows Per Ft.	Atterberg Limits		% Moist.	Dry Unit Weight pcf	Compression Test			
					L. L.	P. L.			Qu-c PSF	Strain %	Conf. Press. PSI	
0		Medium stiff brown	5-7	Auger								
		slightly silty CLAY	5-8	Auger								
5		Soft	5-9	15								
		to	5-10	Auger								
10		Very stiff brown & gray silty CLAY	5-11	16								
		Stiff gray & brown clayey SILT	5-12	Auger								
15		Very stiff gray & brown clayey fine sandy SILT										
20		Very stiff tan & gray fine sandy CLAY										
Note: Encountered water seepage at 4 1/2 feet.												

Boring No.: 26 Type Boring: Auger & Split-Spoon Location: Sta. 104+00 CL

Depth in Feet	Log Sample	Description Surface Elev.	Sample No.	Blows Per Ft.	Atterberg Limits		% Moist.	Dry Unit Weight pcf	Compression Test			
					L. L.	P. L.			Qu-c PSF	Strain %	Conf. Press. PSI	
0		Medium stiff	8-1	Auger								
		to	8-2	Auger								
5		Stiff brown silty CLAY	8-3	1								
		Very soft brown clayey SILT	8-4	10								
10		Stiff brown & gray fine sandy silty CLAY	8-5	Auger								
15												
20												
Note: Encountered water seepage at 4 feet.												

NOTE:

SUBSURFACE INFORMATION AND DATA

The subsurface information and data furnished in these drawings reflects the conditions found to exist at the sites selected for exploration. Sites were selected at locations that would normally reflect conditions in the general vicinity, however, the Owner will not be responsible for any deduction, interpretation or conclusions drawn therefrom by the Contractor. The information is made available to Bidders, including the Contractor, in order that He may have access to it.

AS BUILT

CITY OF JACKSON OWNER		
SANITARY SEWER INTERCEPTOR SYSTEM		
LOG OF BORINGS		
PURPLE CREEK OUTFALL		
WPC Miss. 207 Project No. 169.5M Part B		
SMITH AND SANDERS, INC. Consulting Engineers Jackson, Mississippi		
Designed By: Eng. Lab, Inc.	Scale: 1" = 5'	Sheet No 10 of 10
Drawn By: V.O.P.	Date: 10/74	